

SECTION III  
VEHICLES

	Paragraph
Motor-----	6
Registration markings-----	7
Automobile plates, other than registration-----	8
Removal-----	9
Unit markings-----	10
Tactical markings-----	11
Special markings-----	12
Animal-drawn-----	13
Tractors and tanks-----	14

**6. Motor.**—*a. Definition.*—See AR 850-10.

*b. Registration.*—See AR 850-10.

*c. Inventory.*—See AR 850-10.

**7. Registration markings.**—U. S. registration symbols and numbers.

*a. When marked.*—Motor vehicles will be marked with the U. S. registration symbols and numbers prescribed in AR 850-10. Original markings will be applied by manufacturers.

*b. How marked.*—The marking on the vehicle will be with blue-drab lusterless enamel by means of a stencil.

*c. Height of letters.*—The height of the letters and figures will be 1 inch on motorcycles, 2 inches on trailers and on all other types of motor vehicles. The character and style of marking will be as follows:

---

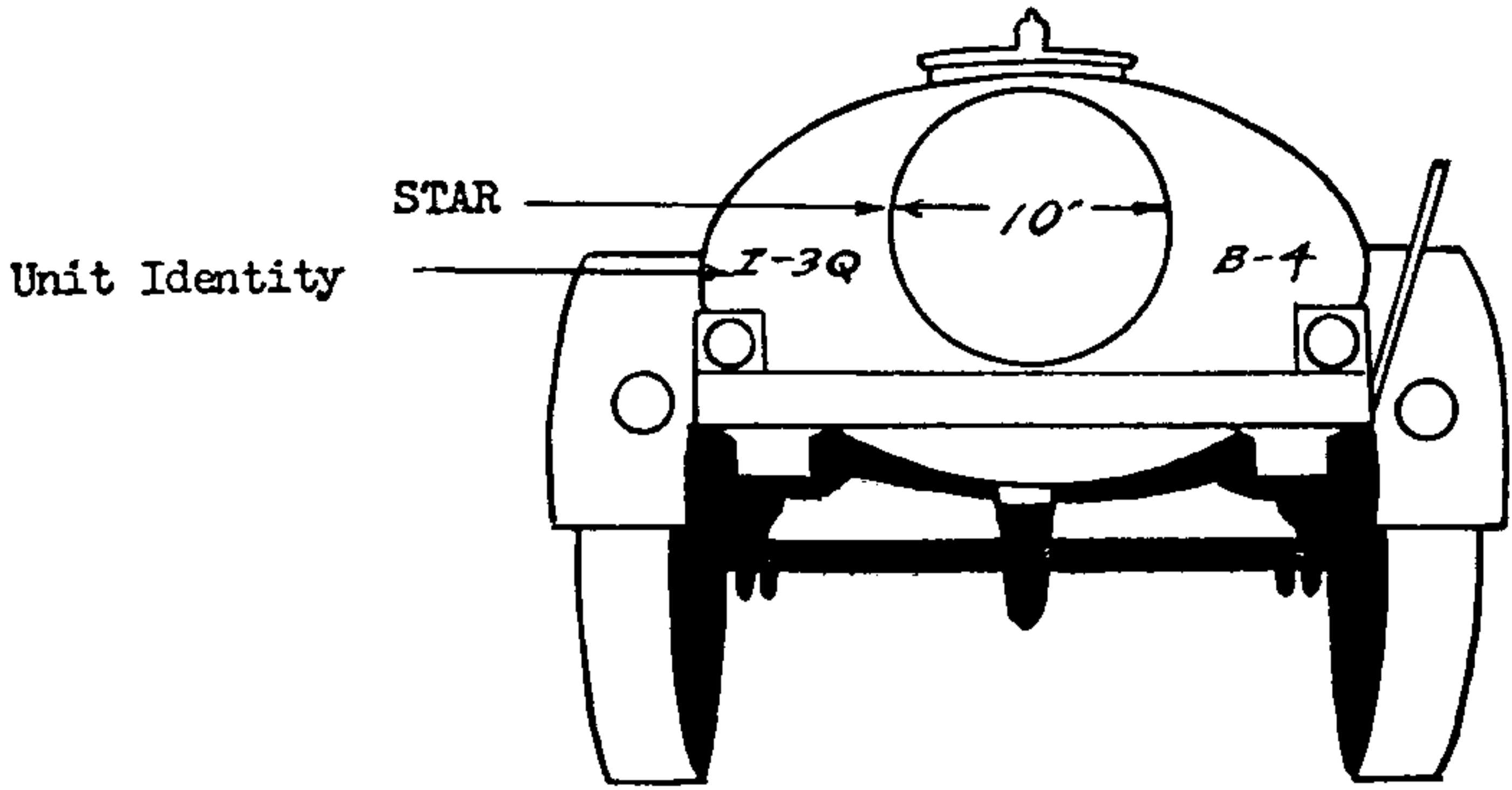
**U. S. A.**  
**123786**


---

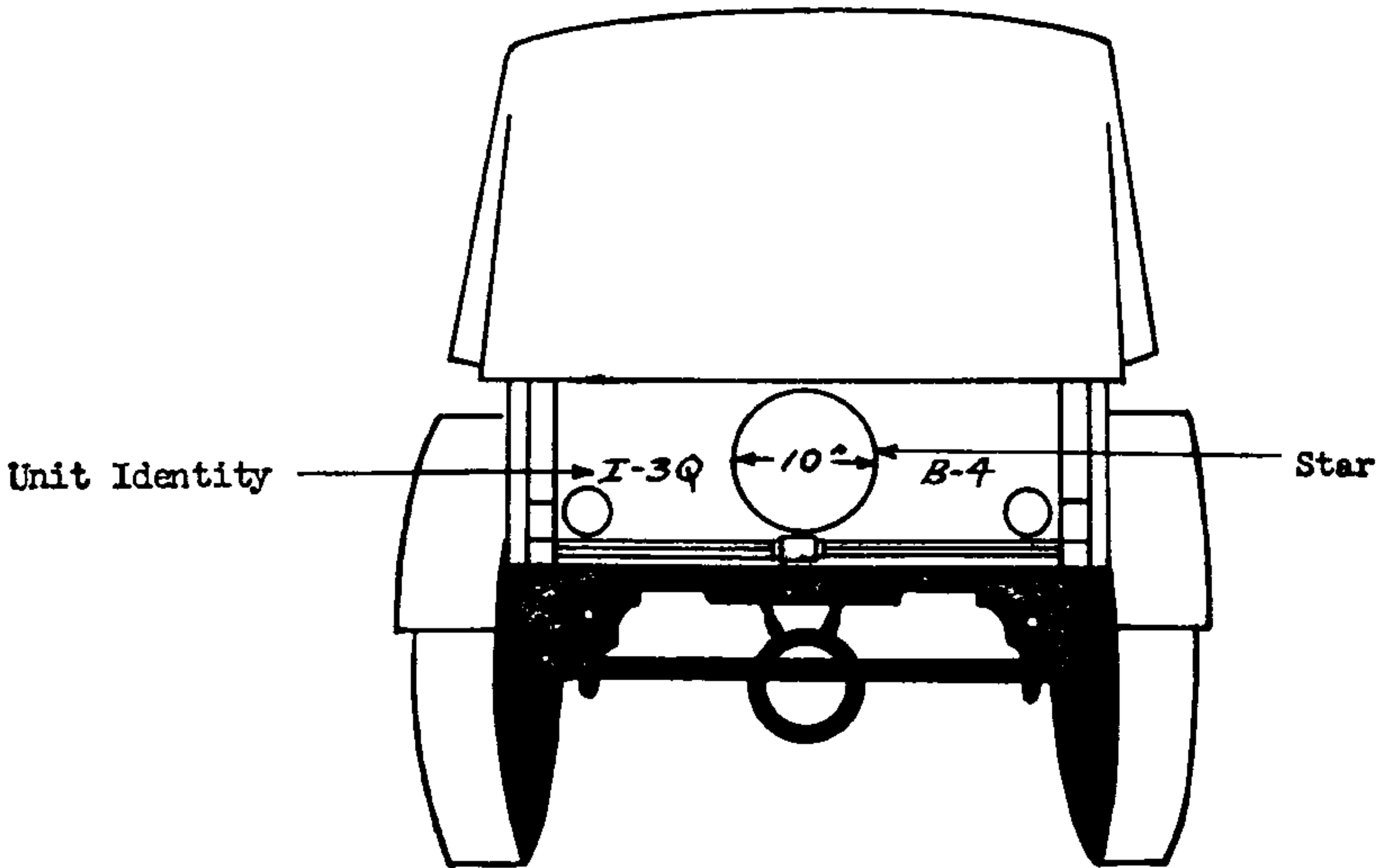
*d. Where marked.*—The marking required above will be placed on the outside of the vehicle except where otherwise indicated and will be so placed as not to interfere with international and unit markings.

Type of vehicle*	Location of marking
Passenger cars-----	All letters and figures will be placed on outer surface of the hood, both sides and also on the rear panel.
Ambulances, metropolitan-----	Same as passenger cars.
Ambulances, field-----	On the outer surface of the hood, both sides and also the rear doors.
Motorcycles (both solo and those with side cars).	On rear fender only.
Trucks-----	On the outer surface of the hood, both sides.
Reconnaissance trucks-----	Same as trucks.
Panel and sedan delivery-----	Same as ambulances, field.
Trailers-----	In the center of the back.
Trailer, bomb, M5-----	U. S. A. on both sides of tool box and registration markings on both sides of front splash guard.
Trailer, tractor crane, T-26-----	Outer surface forward frame, both sides.
Combat vehicles track, wheel or wheel and track.	To conform as closely as practicable to marking prescribed for other vehicles.

\* Special vehicles of the types enumerated will be marked so as to conform as closely as practicable to the marking prescribed for the type to which they belong.



① Trailer, 1-T, 2-wheel, water tank (250-gal.).



② Trailer, 1-T, 2-wheel, cargo.

FIGURE 28.

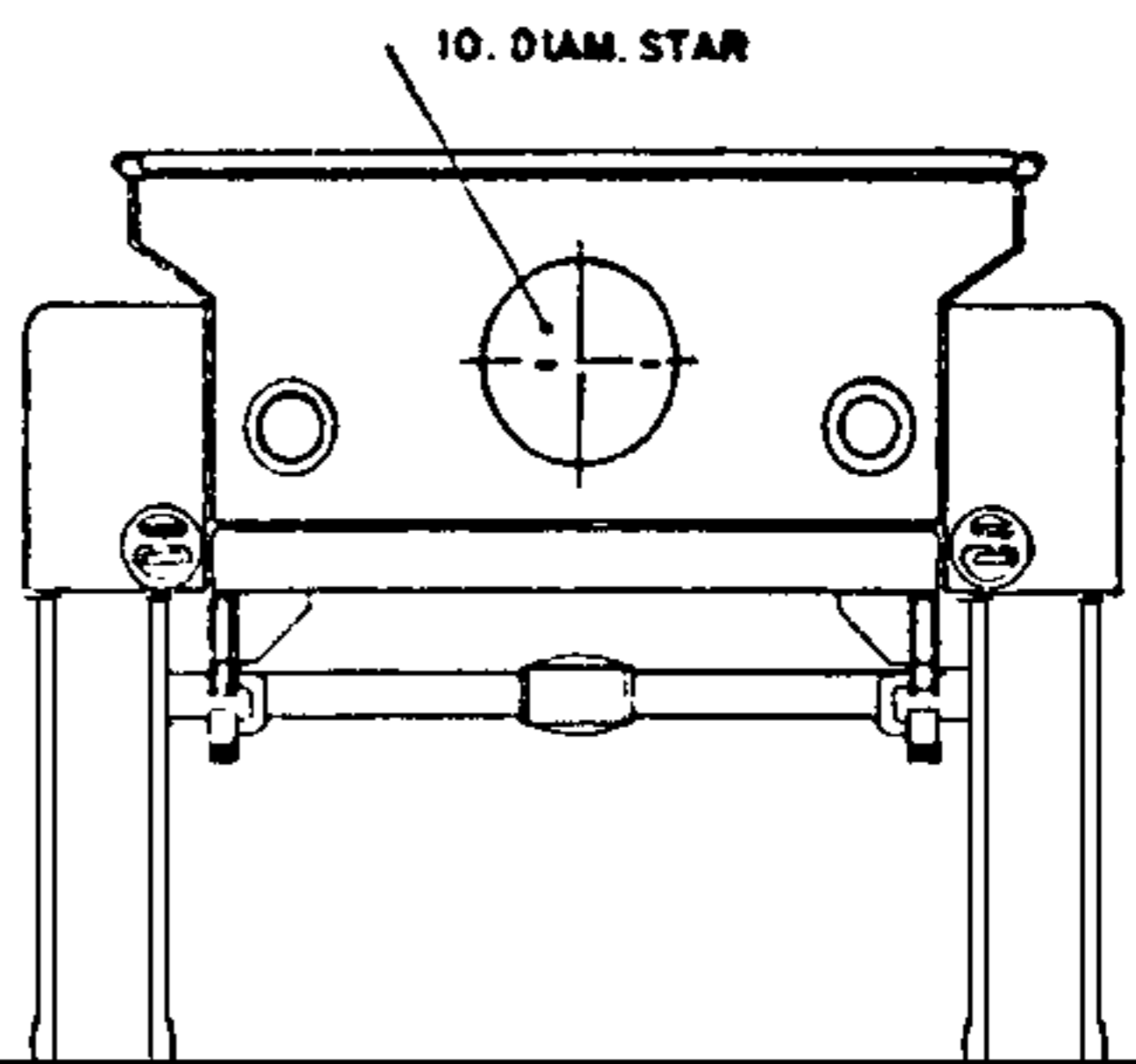
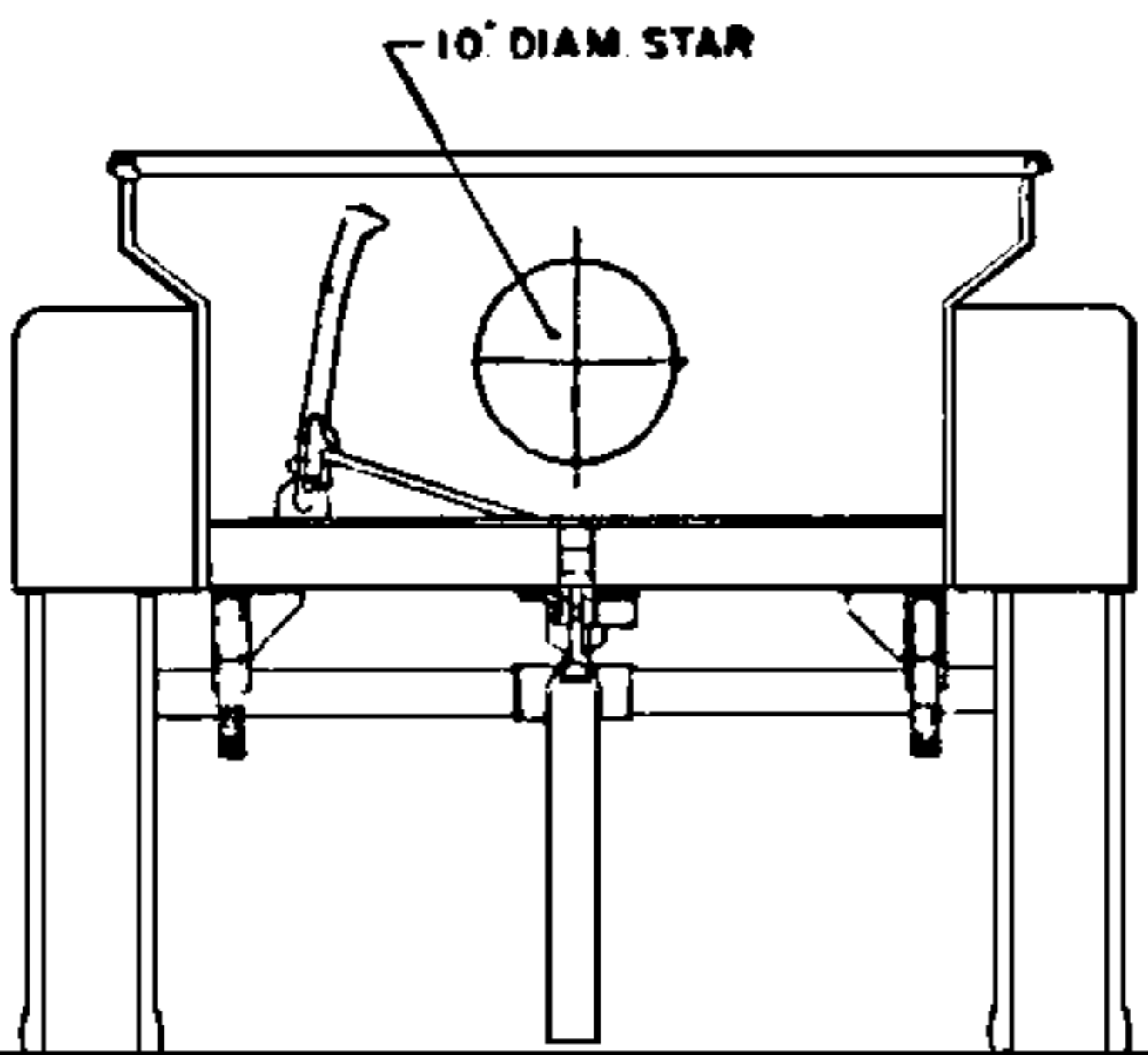
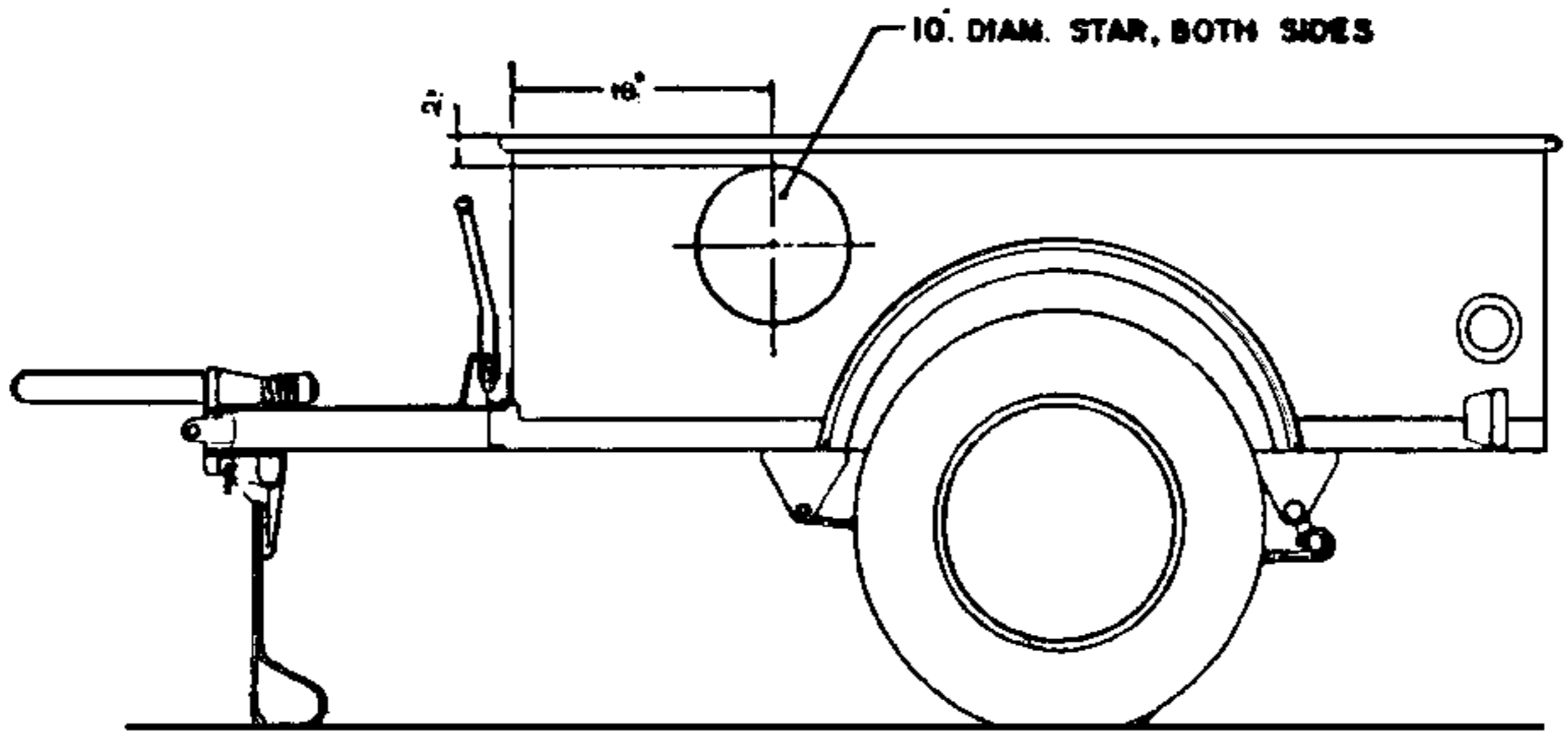


Figure 49.— $\frac{1}{4}$ -ton payload, 2-wheel cargo trailer.

[A. G. 400.181 (10 Nov 43).] (C 9, 27 Jan 44.)

RA PD 318243