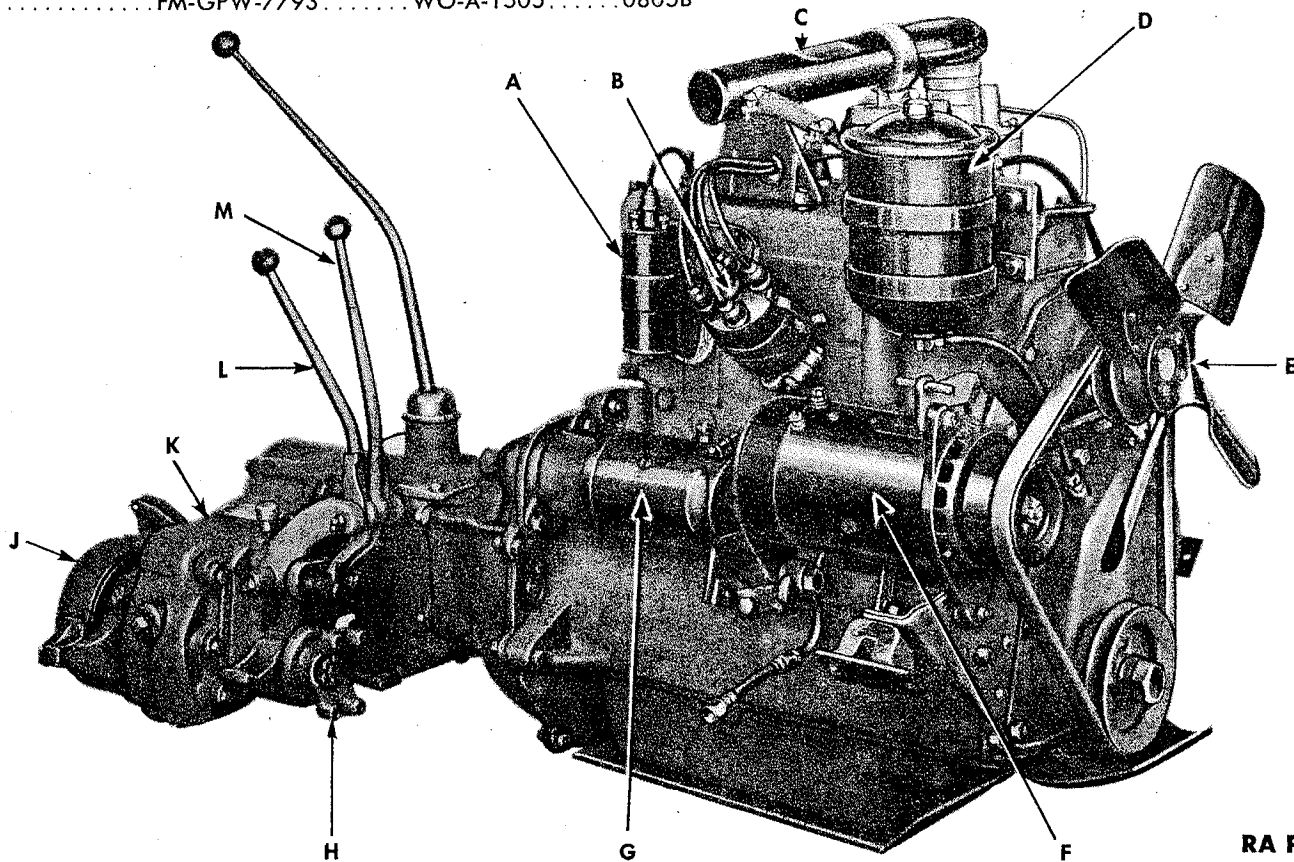
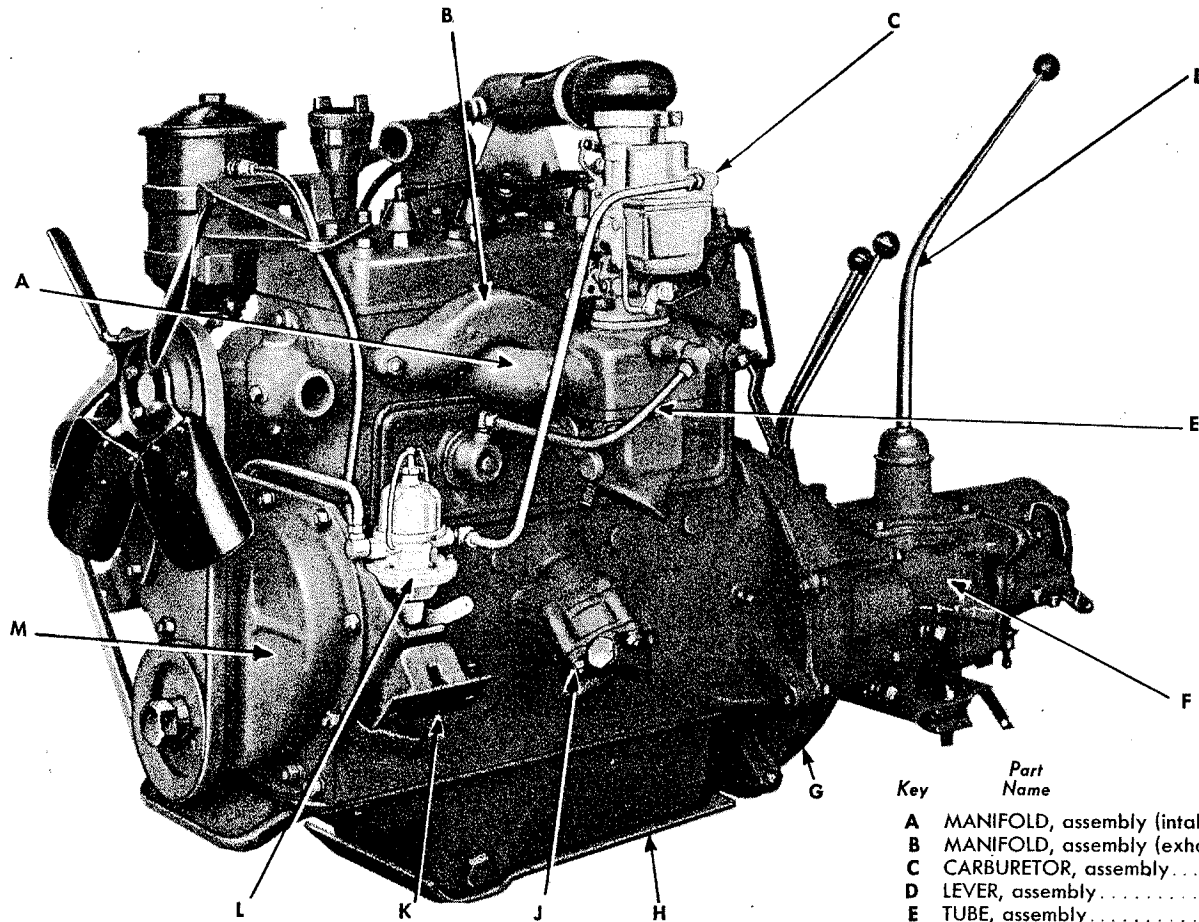


Key	Part Name	Ford Part No.	Willys Part No.	Group Number
A	COIL, assembly	FM-GPW-12000	WO-A-1424	0604
B	DISTRIBUTOR, assembly	FM-GPW-12100-B	WO-A-9075	0603-1
C	TUBE, assembly	FM-GPW-9637-B	WO-A-6911	0301C
D	FILTER, assembly	FM-GPW-18660-A	WO-A-1230	0107E
E	FAN, assembly	FM-GPW-8600	WO-A-447	0503A
F	GENERATOR, assembly	FM-GPW-10000-A3	WO-A-10048	0601-1
G	CRANKING MOTOR, assembly	FM-GPW-11001-A	WO-A-1245	0602
H	YOKE	FM-GP-7729	WO-A-1106	0803
J	BRAKE, assembly	FM-GPW-2598	WO-A-1008	1201
K	TRANSFER CASE, assembly	FM-GPW-7700	WO-A-1195	0800
L	LEVER	FM-GPW-7710	WO-A-1506	0805B
M	LEVER	FM-GPW-7793	WO-A-1505	0805B



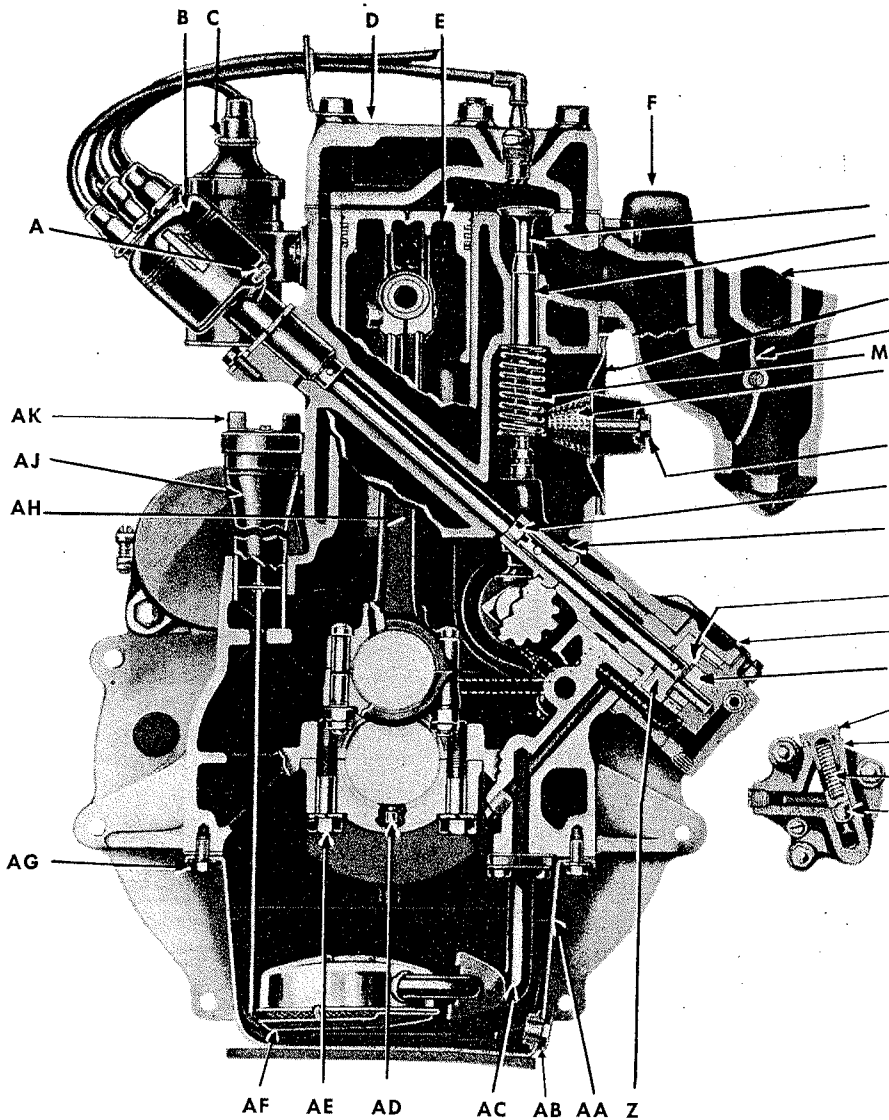
RA PD 342237

FIGURE 01-2—ENGINE ASSEMBLY—RIGHT SIDE VIEW



Key	Part Name	Ford Part No.	Willys Part No.	Group Number
A	MANIFOLD, assembly (intake)	FM-GPW-9424-B	WO-1166	0108
B	MANIFOLD, assembly (exhaust)	FM-GPW-9426	WO-A-912	0108
C	CARBURETOR, assembly	FM-GPW-9510	WO-A-1223	0301
D	LEVER, assembly	FM-GPW-7210-A	WO-A-1380	0706A
E	TUBE, assembly	FM-GPW-6756	WO-A-6922	0107N
F	TRANSMISSION, assembly	FM-GPW-7000	WO-A-1145	0700
G	HOUSING	FM-GPW-6392	WO-A-439	0109C
H	PAN, assembly	FM-GPW-6675	WO-A-7238	0107A
J	PUMP, assembly	FM-GPW-6600	WO-637636	0107
K	INSULATOR, assembly	FM-GPW-6038-A	WO-A-7498	0110
L	PUMP, assembly	FM-GPW-9350-B	WO-A-8323	0302
M	COVER, assembly	FM-GPW-6054	WO-A-1190	0106D

FIGURE 01-1—ENGINE ASSEMBLY—LEFT SIDE VIEW



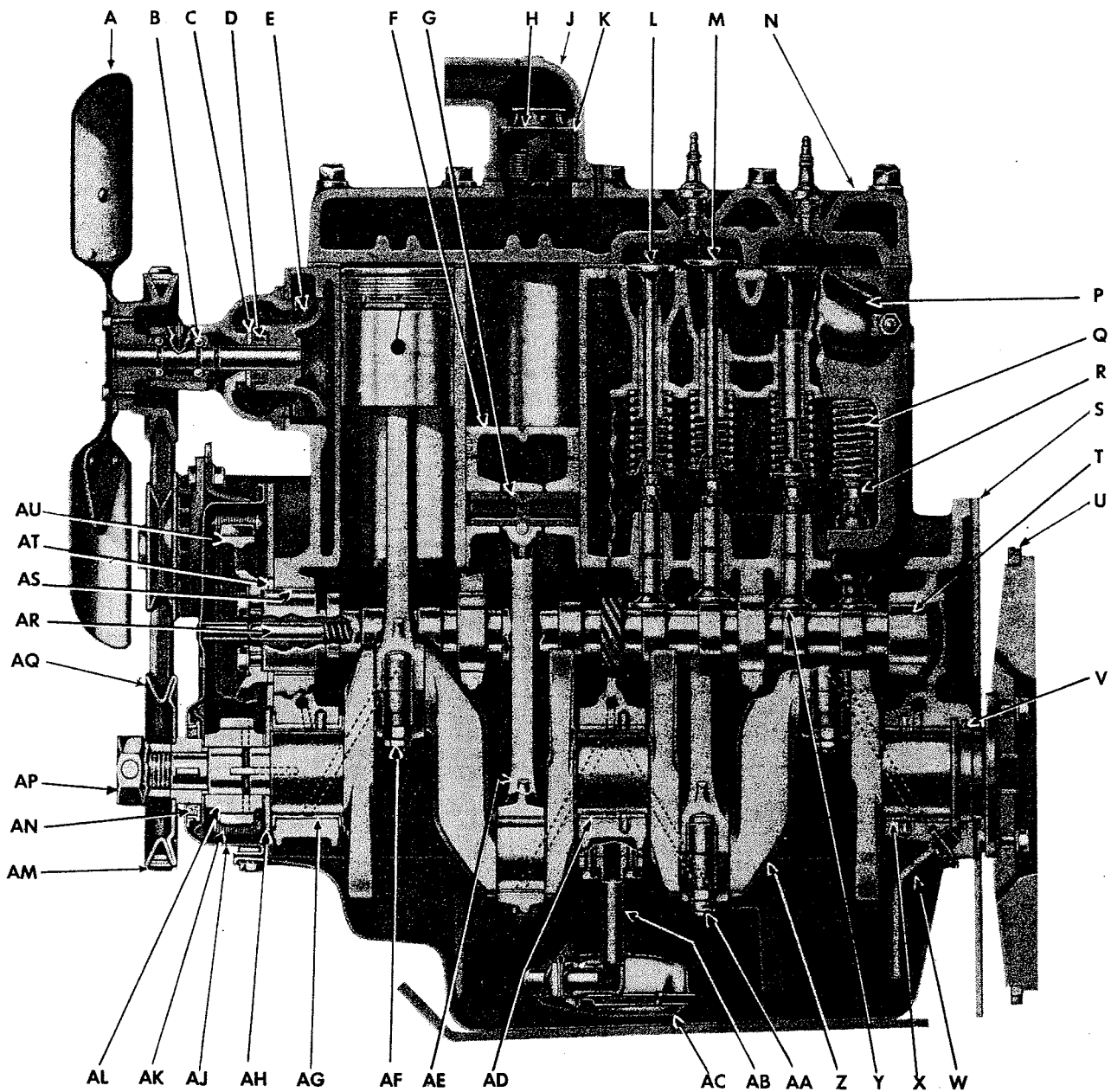
Key	Part Name	Ford Part No.	Willys Part No.	Group No.
A	OILER	FM-B-10141	WO-107128	0603
B	DISTRIBUTOR	FM-GPW-12100-B	WO-A-9075	0603-1
C	COIL	FM-GPW-12000	WO-A-1424	0604
D	CYLINDER HEAD	FM-GPW-6050	WO-A-1534	0101A
E	PISTON	FM-GPW-6105-A	WO-637041	0103
F	INTAKE MANIFOLD	FM-GPW-9424-B	WO-A-1166	0108
G	VALVE (exhaust)	FM-GPW-6505	WO-637183	0105
H	GUIDE (exhaust valve)	FM-GPW-6510-B	WO-375811	0105
J	EXHAUST MANIFOLD	FM-GPW-9426	WO-A-912	0108
K	COVER, assembly	FM-GPW-6520	WO-630303	0105C
L	VALVE	FM-GPW-9460	WO-636439	0108C
M	SPRING	FM-GPW-6513	WO-638636	0105
N	BAFFLE	FM-GPW-6762	WO-630298	0107N
P	BODY	FM-GPW-6758B	WO-A-6919	0107N
Q	SPRING	FM-GPW-12083	WO-63715	0603
R	GEAR	FM-GPW-6610	WO-637425	0107
S	DISC	FM-GPW-6673	WO-636600	0107
T	PUMP, assembly	FM-GPW-6600	WO-637636	0107
U	PINION	FM-GPW-6614	WO-343306	0107
V	RETAINER	FM-GPW-6644	WO-630390	0107
W	SHIM	FM-GPW-6628	WO-630389	0107
X	SPRING	FM-GPW-6654	WO-356155	0107
Y	PLUNGER	FM-GPW-6663	WO-630518	0107
Z	SHAFT, assembly	FM-GPW-6608	WO-636599	0107
AA	OIL PAN, assembly	FM-GPW-6675	WO-A-7238	0107A
AB	PLUG	FM-GPW-6727	WO-639979	0107A
AC	SUPPORT	FM-GPW-6617	WO-630397	0107A-1
AD	PIN	FM-GPW-6369	WO-635377	0102A
AE	BOLT	FM-GPW-6345	WO-381519	0102A
AF	FLOAT, assembly	FM-GPW-6615	WO-630396	0107A-1
AG	BOLT	FM-355403-S2		0107A
AH	ROD	FM-GPW-6200	WO-640071	0104
AJ	TUBE	FM-GPW-6763-C	WO-6915	0107G
AK	INDICATOR	FM-GPW-6766-C	WO-A-6525	0107H

15

SNL G-503

FIGURE 01-3—ENGINE ASSEMBLY—TRANSVERSE SECTIONAL VIEW

RA PD 342255



RA PD 342291

FIGURE 01-4—ENGINE ASSEMBLY—LONGITUDINAL SECTIONAL VIEW

Key	Part Name	Ford Part No.	Willys Part No.	Group No.
A	FAN, assembly	FM-GPW-8600	WO-A-447	0503A
B	BEARING, w/SHAFT, assembly	FM-GPW-8530	WO-636297	0503
C	WASHER	FM-GPW-8557-A	WO-640034	0503
D	SEAL, assembly	FM-GPW-8524-A	WO-640031	0503
E	IMPELLER	FM-GPW-8512	WO-639993	0503
F	PISTON, assembly	FM-GPW-6105-A	WO-637041	0103
G	PIN	FM-GPW-6135-A	WO-636961	0103B
H	THERMOSTAT	FM-GPW-8575	WO-637646	0502
J	ELBOW	FM-GPW-8250	WO-A-1192	0505
K	RETAINER	FM-GPW-8578	WO-639651	0502
L	VALVE	FM-GPW-6505	WO-637183	0105
M	VALVE <i>INTAKE</i>	FM-GPW-6507	WO-637182	0105
N	HEAD	FM-GPW-6050	WO-A-1534	0101A
P	MANIFOLD, assembly	FM-GPW-9426	WO-A-912	0108
Q	SPRING	FM-GPW-6513	WO-638636	0105
R	SCREW	FM-GPW-6549-B	WO-640020	0105A
S	PLATE	FM-GPW-7007	WO-A-5121	0109C
T	CAMSHAFT	FM-GPW-6250	WO-637065	0106
U	GEAR	FM-GPW-6384	WO-635394	0109B
V	PACKING	FM-GPW-6702	WO-637237	0102A
W	PIPE	FM-GPW-6326	WO-630294	0102A
X	BEARING	FM-GPW-6337-A	WO-638733	0102A
Y	TAPPET	FM-GPW-6500-A	WO-637047	0105A
Z	CRANKSHAFT	FM-GPW-6303-A	WO-638121	0102
AA	BOLT	Willys only	WO-640070	0104
AB	SUPPORT	FM-GPW-6617	WO-630397	0107A-1
AC	FLOAT, assembly	FM-GPW-6615	WO-630396	0107A-1
AD	BEARING	FM-GPW-6341-A	WO-638731	0102A
AE	ROD	FM-GPW-6201	WO-640072	0104
AF	NUT	FM-356021-S	WO-636962	0104
AG	BEARING	FM-GPW-6338-A	WO-637008	0102A
AH	WASHER	FM-GPW-6308	WO-634796	0102
AJ	COVER, assembly	FM-GPW-6054	WO-A-1190	0106D
AK	CHAIN	FM-GPW-6260	WO-638457	0106C
AL	SPROCKET	FM-GPW-6306	WO-638459	0106C
AM	BELT	FM-GPW-8620-A	WO-A-9490	0503B
AN	PACKING	FM-GPW-6700	WO-637098	0102A
AP	NUT, assembly	FM-GPW-6319	WO-387633	0102
AQ	PULLEY	FM-GPW-6312	WO-638113	0102
AR	PLUNGER	FM-GPW-6243	WO-375907	0106
AS	BUSHING	FM-GPW-6262-A	WO-639051	0106A
AT	WASHER	FM-GPW-6245	WO-375900	0106
AU	SPROCKET	FM-GPW-6256	WO-638458	0106C

RA PD 342291A

FIGURE 01-4A—LEGEND FOR FIGURE 01-4  
ENGINE ASSEMBLY—LONGITUDINAL SECTIONAL VIEW

**GROUP 01—ENGINE**

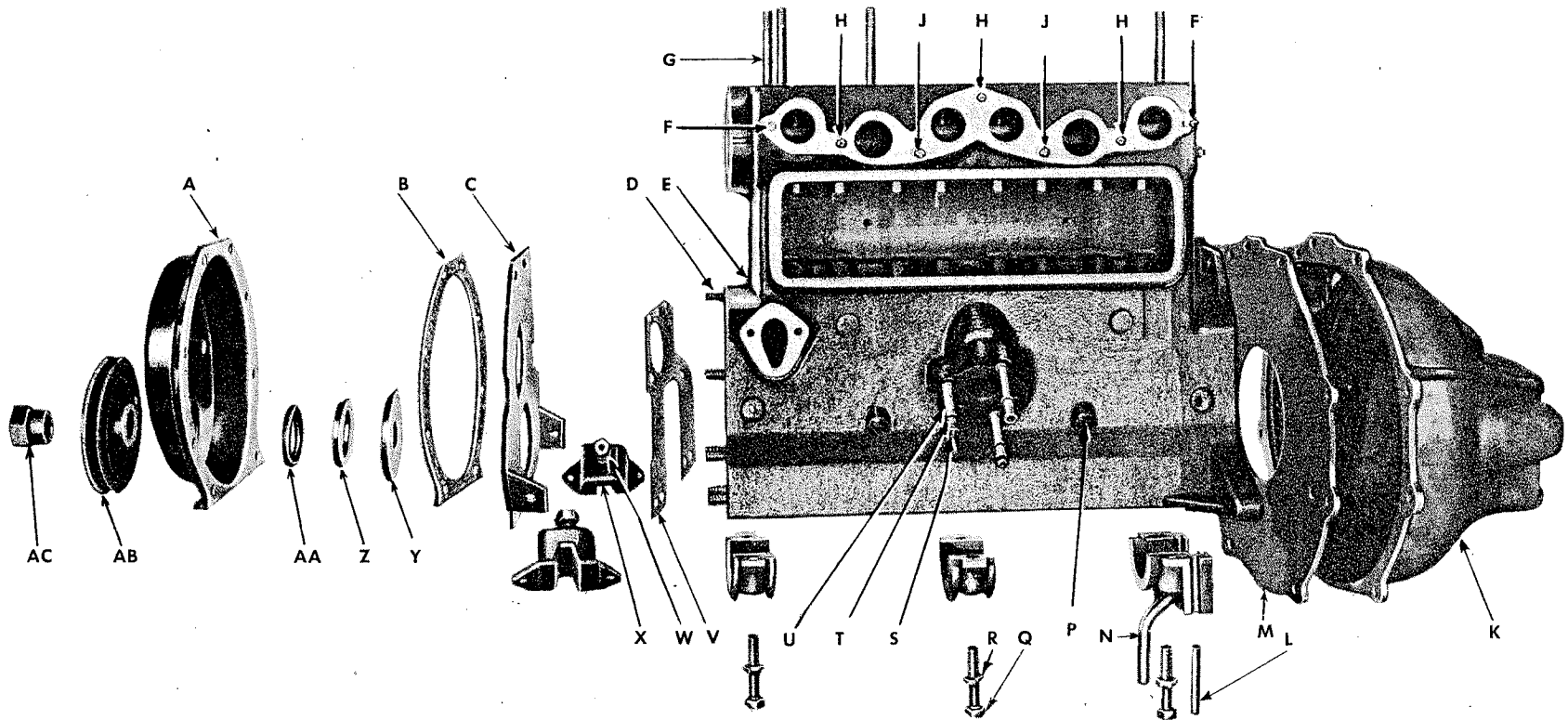
SNL G-503

0100-0101

Figure Number	Official Stock Number	Piece Mark or Part Number		ITEM	Quant. Reqd. per Unit Assy.	Unit Price
		Ford No.	Willys No.			
Col. 1	Col. 2	Col. 3	Col. 4	Col. 5	Col. 6	Col. 7
<b>GROUP 01—ENGINE</b>						
<b>0100—ENGINE ASSEMBLY</b>						
	9680-A-1388		WO-A-1388	ENGINE, assembly (includes all units from flywheel forward less air CLEANER).....	1	
	3320-GPW-6005	FM-GPW-6005	WO-A-5497	ENGINE, assembly (includes CLUTCH, assembly, FLYWHEEL HOUSING, and all units ready to run) (superseded by ENGINE, assembly, FM-GPW-6004, WO-A-5497).	1	257.70
	3320-GPW-6004	FM-GPW-6004	WO-A-5497	ENGINE, assembly (includes CLUTCH, assembly, FLYWHEEL HOUSING, and all units ready to run) (supersedes ENGINE, assembly, FM-GPW-6005, WO-A-5497)....	1	
<b>0101—CRANKCASE AND CYLINDER BLOCK</b>						
01-5		FM-GPW-6009	WO-A-6793	BLOCK, cylinder, w/PISTONS and RINGS, assembly (includes camshaft bushings, crankshaft bearing caps, piston pins, and valve guides).....	1	73.62
	H106-0103647	FM-9N-8115	WO-A-1126	COCK, drain, engine cylinder water jacket (S., zn-pltd., 1/4 in. pipe thread) (WH-145-A)	1	.0833
	3320-GPW-18390	FM-GPW-18390	WO-A-1536	GASKET SET, engine overhaul (superseded by GASKET SET, FM-GPW-18390-B, WO-A-17401) ( <i>Note 1</i> ).....	1	.635
		FM-GPW-18390-B	WO-A-17401	GASKET SET, engine overhaul (supersedes GASKET SET, FM-GPW-18390, WO-A-1536) ( <i>Note 1</i> ).....	1	
		FM-GPW-6288	WO-630365	(Consists of:		
		FM-GPW-6020	WO-630359	1 GASKET, chain cover		
		FM-GPW-6051-B	WO-A-8558	1 GASKET, cylinder block, front		
		FM-GPW-9450	WO-634814	1 GASKET, cylinder head		
		FM-GPW-9417	WO-638737	1 GASKET, exhaust pipe flange		
		FM-GPW-9448	WO-638640	1 GASKET, fuel pump		
		FM-GPW-9435	WO-634811	1 GASKET, intake and exhaust manifold		
		FM-GPW-6627	WO-630398	1 GASKET, intake to exhaust manifold		
		FM-GPW-6710	WO-639980	1 GASKET, oil strainer float support		
		FM-GPW-6659	WO-639870	1 GASKET, oil pan		
		FM-GPW-6619	WO-630392	1 GASKET, oil pump cover		
		FM-GPW-6734	WO-314338	4 GASKET, oil pump cover		
		FM-GPW-6625	WO-375927	1 GASKET, oil drain plug		
		FM-GPW-6630	WO-630394	1 GASKET, oil pump shaft		
		FM-GPW-6642	WO-634813	1 GASKET, oil pump to cylinder block		
		FM-GPW-6353	WO-334103	1 GASKET, oil relief spring retainer		
				1 GASKET, oil slinger		

*Note 1*—GASKET SETS, FM-GPW-18390, WO-A-1536; and FM-GPW-18390-B, WO-A-17401, have the same components except GASKET, FM-GPW-9445, WO-A-6357, which is not in GASKET SET FM-GPW-18390-B, WO-A-17401.

18



Key	Part Name	Ford Part No.	Willys Part No.	Group No.
A	COVER.....	FM-GPW-6054.....	WO-A-1190.....	.0106D
B	GASKET.....	FM-GPW-6288.....	WO-630365.....	.0106D
C	PLATE.....	FM-GPW-6031-A3.....	WO-A-1463.....	.0106D
D	STUD.....	FM-88022-S.....	WO-384958.....	.0106D
E	BLOCK, assembly.....	FM-GPW-6009.....	WO-A-6793.....	.0101
F	STUD.....	FM-88082-S.....	WO-349712.....	.0108
G	STUD.....	FM-GPW-6066.....	WO-349368.....	.0101A
H	STUD.....	FM-88042-S.....	WO-300143.....	.0108
J	STUD.....	FM-88057-S7.....	WO-632159.....	.0108
K	HOUSING.....	FM-GPW-6392.....	WO-A-439.....	.0109C
L	PACKING.....	FM-GPW-6701.....	WO-637790.....	.0102A
M	PLATE.....	FM-GPW-7007.....	WO-A-5121.....	.0109C
N	PIPE.....	FM-GPW-6326.....	WO-630294.....	.0102A
P	PLUG.....	FM-358064-S.....	WO-5085.....	.0101

Key	Part Name	Ford Part No.	Willys Part No.	Group No.
Q	BOLT.....	FM-GPW-6345.....	WO-381519.....	.0102A
R	WASHER.....	FM-34809-S.....	WO-5009.....	.0102A
S	NUT.....	FM-33798-S7.....	WO-A-1532.....	.0107
T	WASHER.....	FM-34806-S7.....	WO-51833.....	.0107
U	STUD.....	FM-88141-S.....	WO-375981.....	.0107
V	GASKET.....	FM-GPW-6020.....	WO-630359.....	.0106D
W	NUT.....	FM-33846-S2.....	WO-5916.....	.0110
X	INSULATOR.....	FM-GPW-6038-A.....	WO-A-7498.....	.0110
Y	SLINGER.....	FM-GPW-6310.....	WO-375977.....	.0102
Z	RETAINER.....	FM-GPW-6287.....	WO-375920.....	.0102A
AA	PACKING.....	FM-GPW-6700.....	WO-637098.....	.0102A
AB	PULLEY.....	FM-GPW-6312.....	WO-638113.....	.0102
AC	NUT.....	FM-GPW-6319.....	WO-387633.....	.0102

FIGURE 01-5—TIMING CHAIN COVER, CYLINDER BLOCK AND FLYWHEEL HOUSING—EXPLODED VIEW

**GROUP 01—ENGINE (Cont'd)**

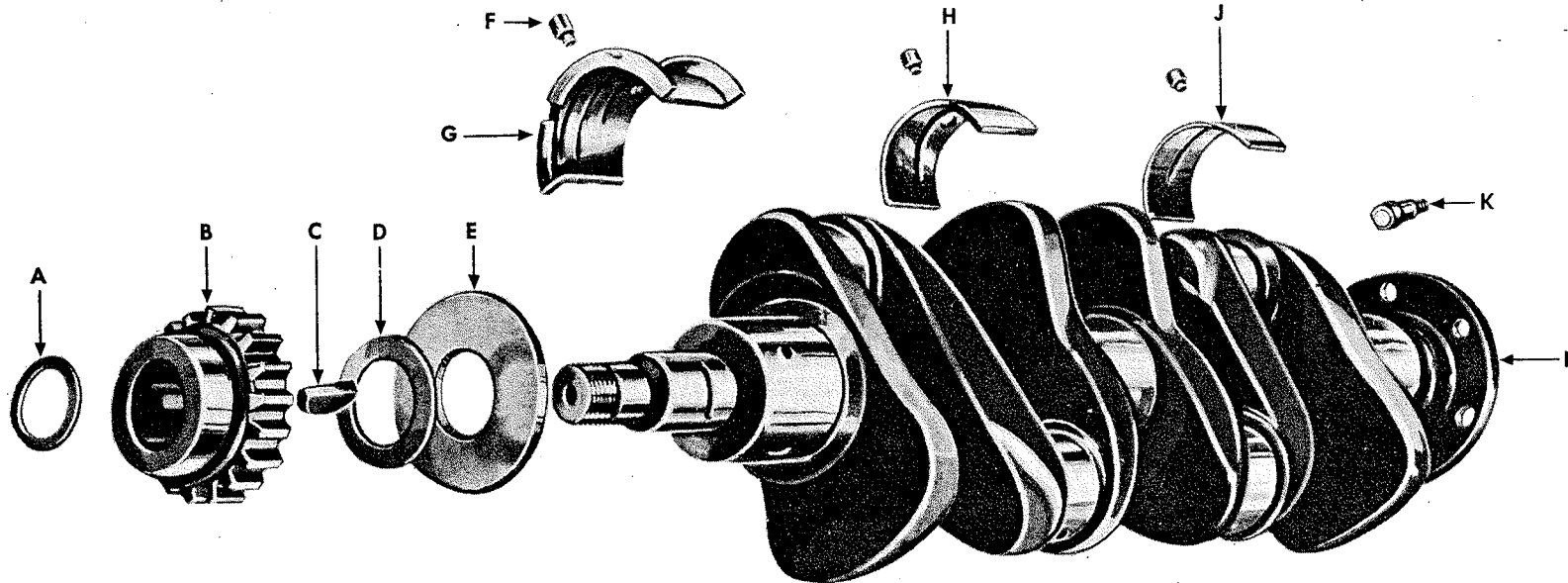
SNL G-503

0101-0101A

Figure Number	Official Stock Number	Piece Mark or Part Number		ITEM	Quant. Req'd. per Unit Assy.	Unit Price	
		Ford No.	Willys No.				
Col. 1	Col. 2	Col. 3	Col. 4	Col. 5	Col. 6	Col. 7	
01-5	3320-GPW-18387	FM-01A-12410	WO-637863	<b>0101—CRANKCASE AND CYLINDER BLOCK (Cont'd)</b>  GASKET SET, engine overhaul (cont'd) 4 GASKET, spark plug 1 GASKET, valve spring cover 2 GASKET, valve cover screw 1 GASKET, ventilator to valve cover 1 GASKET, water outlet elbow 1 GASKET, water pump to cylinder block 1 PACKING, crankshaft 2 PACKING, rear bearing cap 2 PACKING, rear bearing cap  GASKET SET, engine, valve regrind (superseded by GASKET SET, FM-GPW-18387-B, WO-A-17402) (Note 1)..... GASKET SET, engine, valve regrind (components also in GASKET SET, FM-GPW-18390-B, WO-A-17401) (supersedes GASKET SET, FM-GPW 18387 WO-A-1537) (Note 1)..... (Consists of: 1 GASKET, cylinder head 1 GASKET, exhaust pipe flange 1 GASKET, intake and exhaust manifold 1 GASKET, intake to exhaust manifold 4 GASKET, spark plug 2 GASKET, valve cover screw 1 GASKET, valve spring cover 1 GASKET, valve spring cover to ventilator 1 GASKET, water outlet elbow) PLUG, expansion, S., 1 1/4 in. (cylinder block)..... PLUG, pipe, sq-hd., black, 1/8 in. (cylinder block oil hole)..... PLUG, pipe, sq-hd., black, 1/4 in. (drain, cylinder water jacket).....  <b>0101A—CYLINDER HEAD</b>  GASKET, engine cylinder head (superseded by GASKET, FM-GPW-6051-B, WO-A-8558).....			
		FM-GPW-6521	WO-630305			1	.424
		FM-GPW-6555-A	WO-51875				
		FM-GPW-6648	WO-630299				
		FM-GPW-8255	WO-639650				
		FM-GPW-8543	WO-637053				
		FM-GPW-6700	WO-637098				
		FM-GPW-6702	WO-637237				
		FM-GPW-6701	WO-637790				
		FM-GPW-18387	WO-A-1537				
		FM-GPW-18387-B	WO-A-17402				
		FM-GPW-6051-B	WO-A-8558				
		FM-GPW-9450	WO-634814				
		FM-GPW-9448	WO-638640				
		FM-GPW-9435	WO-634811				
	FM-01A-12410	WO-637865					
	FM-GPW-6555-A	WO-51875					
	FM-GPW-6521	WO-630305					
	FM-GPW-6648	WO-630299					
	FM-GPW-8255	WO-639650					
FM-74121-S	WO-51091						
FM-358064-S	WO-5085						
FM-353055-S	WO-5138						
H006-0282480							
H006-0283800							
H006-0283805							
G503-0194018	FM-GPW-6051	WO-638678			1	.179	

*Note 1*—GASKET SETS, FM-GPW-18387, WO-A-1537; and FM-GPW-18387-B, WO-A-17402, have the same components except GASKET, FM-GPW-9445, WO-A-6357, which is not in GASKET SET, FM-GPW-18307-B, WO-A-17402.





Key	Part Name	Ford Part No.	Willys Part No.	Group No.
A	GASKET	FM-GPW-6353	WO-334103	0102
B	SPROCKET	FM-GPW-6306	WO-638459	0106C
C	KEY	FM-74182-S	WO-50917	0106C
D	SPACER	FM-GPW-6342-A	WO-630727	0106C
E	WASHER	FM-GPW-6308	WO-634796	0102
F	PIN	FM-GPW-6369	WO-635377	0102A
G	BEARING	FM-GPW-6333-A	WO-637007	0102A
H	BEARING	FM-GPW-6339-A	WO-638730	0102A
J	BEARING	FM-GPW-6331-A	WO-638732	0102A
K	BOLT	FM-GPW-6390	WO-116295	0109
L	CRANKSHAFT	FM-GPW-18288	WO-A-7568	0102
M	BOLT	FM-355497-S	WO-632157	0109
N	BEARING	FM-GPW-6337-A	WO-638733	0102A
P	BEARING	FM-GPW-63Y1-A	WO-638731	0102A
Q	BEARING	FM-GPW-6338-A	WO-637008	0102A

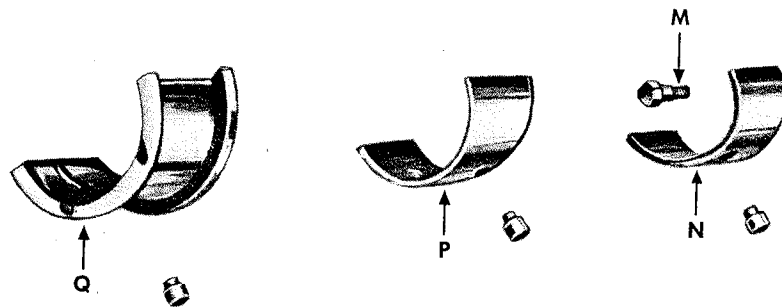


FIGURE 01-6—CRANKSHAFT AND BEARINGS

**GROUP 01—ENGINE (Cont'd)**

Figure Number	Official Stock Number	Piece Mark or Part Number		ITEM	Quant. Req'd. per Unit Assy.	Unit Price
		Ford No.	Willys No.			
Col. 1	Col. 2	Col. 3	Col. 4	Col. 5	Col. 6	Col. 7
<b>0101A—CYLINDER HEAD (Cont'd)</b>						
01-3,4	3320-GPW-6051-B	FM-GPW-6051-B	WO-A-8558	GASKET, engine cylinder head (also in FM-GPW-18387, WO-A-1537 GASKET SET) (supersedes GASKET, FM-GPW-6051, WO-638678).....	1	
	3320-GPW-6050	FM-GPW-6050	WO-A-1534	HEAD, cylinder, engine (ratio 6.48).....	1	8.601
	3320-GPW-6065	FM-GPW-6065	WO-638635	BOLT, hex-hd., s-fin., alloy-S, 1/16-14NC-2 (rolled thd.) x 2 3/4 (superseded by STUD, FM-GPW-6066, WO-349368).....	9	.0389
	G085-2307376	FM-351025-S7	WO-638539	NUT, reg., hex., s-fin., alloy-S, 1/16-20NF-2.....	15	.0083
		FM-GPW-6060	WO-A-1549	NUT, cylinder head stud (ORD-A7044072) (Note 1).....	2	
01-5	3320-GPW-6066	FM-GPW-6066	WO-349368	STUD, S., cd-pltd., 1/16-14NC x 3 3/16 x 1/16-20NF (superseded by STUD, FM-GPW-6066, WO-349368).....	5	
	3320-GPW-6067	FM-GPW-6067	WO-A-1548	STUD, S., 1/16-14NC x 3 3/16 x 1/16-20NF (supersedes STUD, FM-GPW-6060, WO-A-1549, and BOLT, FM-GPW-6065, WO-638635).....	14	.0318
				STUD, S., cd-pltd., 1/16-14NC x 3 7/8 x 1/16-20NF.....	1	.0582
				STUD, cylinder head (ORD-C7044153) (Note 1).....	2	
<b>0102—CRANKSHAFT</b>						
01-4	3320-GPW-6303-A	FM-GPW-6303-A	WO-638121	CRANKSHAFT, engine.....	1	24.06
01-6	3320-GPW-18288	FM-GPW-18288	WO-A-7568	CRANKSHAFT, engine, group assembly.....	1	
		FM-GPW-6390	WO-116295	(Consists of: 2 BOLT, special hd., S., 1/2-20NF-2 x 1 3/16		
		FM-GPW-6303-A	WO-638121	1 CRANKSHAFT		
		FM-33929-S	WO-52804	2 NUT, jam, hex., S., 1/2-20NF-2		
		FM-34909-S2	WO-52330	2 WASHER, lock, S., internal tooth, flat type, 1/2 in.)		
				(Note: Parts Numbered FM-GPW-6390, WO-116295; FM-33929-S, WO-52804; and FM-34909-S2, WO-52330 are required for straight doweling of flywheel to crankshaft. Eliminates need of special tapered reamer.)		
01-6	3320-GPW-6353	FM-GPW-6353	WO-334103	GASKET, engine crankshaft oil slinger (also in FM-GPW-18390, WO-1536 GASKET SET).....	1	.0073
01-4, 5	3320-GPW-6319	FM-GPW-6319	WO-387633	NUT, engine crankshaft, w/PIN, assembly.....	1	.228
20-2		FM-GPWS-6312	WO-638513	NUT, engine crankshaft (Note 2).....	1	
20-2			WO-A-9205	PULLEY, engine crankshaft (Note 1).....	1	
01-4, 5	3320-GPW-6312	FM-GPW-6312	WO-638113	PULLEY, engine crankshaft (Note 2).....	1	.407
				PULLEY, engine crankshaft.....	1	
				PULLEY, engine crankshaft (ORD-C7044165) (Note 3).....	1	
	H001-0518022	FM-74178-S	WO-5036	KEY, Woodruff, S., 3/16 x 3/4 (GM-124549).....	1	
	3320-GPW-6342-B	FM-GPW-6342-B	WO-630262	SHIM, engine crankshaft (0.002 thk.).....	as req.	.0104

0101A-0102

SNL G-503

22

01-5	3320-GPW-6310	FM-GPW-6310	WO-375877	SLINGER, oil, engine crankshaft . . . . .	1	.0194
01-4, 6	3320-GPW-6308	FM-GPW-6308	WO-634796	WASHER, thrust, engine crankshaft (S., 1¼ I.D. x 3⅛ O.D. x 0.156 thk.) . . . . .	1	.179

### 0102A—CRANKSHAFT BEARING

01-6	3320-GPW-6333-A	FM-GPW-6333-A	WO-637007	BEARING, engine crankshaft, front upper (std.) (also in BEARING SET, FM-GPW-18347, WO-A-6798) . . . . .	1	
01-4, 6	3320-GPW-6338-A	FM-GPW-6338-A	WO-637008	BEARING, engine crankshaft, front lower (std.) (also in BEARING SET, FM-GPW-18347, WO-A-6798) . . . . .	1	
01-6	3320-GPW-6339-A	FM-GPW-6339-A	WO-638730	BEARING, engine crankshaft, center upper (std.) (also in BEARING SET, FM-GPW-18347, WO-A-6798) . . . . .	1	
01-4, 6	3320-GPW-6341-A	FM-GPW-6341-A	WO-638731	BEARING, engine crankshaft, center lower (std.) (also in BEARING SET, FM-GPW-18437, WO-A-6798) . . . . .	1	
01-6	3320-GPW-6331-A	FM-GPW-6331-A	WO-638732	BEARING, engine crankshaft, rear upper (std.) (also in BEARING SET, FM-GPW-18347, WO-A-6798) . . . . .	1	
01-4, 6	3320-GPW-6337-A	FM-GPW-6337-A	WO-638733	BEARING, engine crankshaft, rear lower (std.) (also in BEARING SET, FM-GPW-18347, WO-A-6798) . . . . .	1	
	3320-GPW-6333-B	FM-GPW-6333-B	WO-637724	BEARING, engine crankshaft, front upper (0.010 undersize) (also in BEARING SET, FM-GPW-18348, WO-A-6746) . . . . .	1	
	3320-GPW-6338-B	FM-GPW-6338-B	WO-637725	BEARING, engine crankshaft, front lower (0.010 undersize) (also in BEARING SET, FM-GPW-18348, WO-A-6746) . . . . .	1	
	3320-GPW-6339-B	FM-GPW-6339-B	WO-639237	BEARING, engine crankshaft, center upper (0.010 undersize) (also in BEARING SET, FM-GPW-18348, WO-2-6746) . . . . .	1	
	3320-GPW-6341-B	FM-GPW-6341-B	WO-639238	BEARING, engine crankshaft, center lower (0.010 undersize) (also in BEARING SET, FM-GPW-18348, WO-A-6746) . . . . .	1	
	3320-GPW-6331-B	FM-GPW-6331-B	WO-639239	BEARING, engine crankshaft, rear upper (0.010 undersize) (also in BEARING SET, FM-GPW-18348, WO-A-6746) . . . . .	1	
	3320-GPW-6337-B	FM-GPW-6337-B	WO-639240	BEARING, engine crankshaft, rear lower (0.010 undersize) (also in BEARING SET, FM-GPW-18348, WO-A-6746) . . . . .	1	
		FM-GPW-6338-C	WO-116524	BEARING, engine crankshaft, front lower (0.020 undersize) (also in BEARING SET, FM-GPW-18349, WO-A-6747) . . . . .	1	
		FM-GPW-6333-C	WO-116552	BEARING, engine crankshaft, front upper (0.020 undersize) (also in BEARING SET, FM-GPW-18349, WO-A-6747) . . . . .	1	
		FM-GPW-6341-C	WO-116528	BEARING, engine crankshaft, center lower (0.020 undersize) (also in BEARING SET, FM-GPW-18349, WO-A-6747) . . . . .	1	
		FM-GPW-6339-C	WO-116526	BEARING, engine crankshaft, center upper (0.020 undersize) (also in BEARING SET, FM-GPW-18349, WO-A-6747) . . . . .	1	
		FM-GPW-6337-C	WO-116532	BEARING, engine crankshaft, rear lower (0.020 undersize) (also in BEARING SET, FM-GPW-18349, WO-A-6747) . . . . .	1	
		FM-GPW-6331-C	WO-116530	BEARING, engine crankshaft, rear upper (0.020 undersize) (also in BEARING SET, FM-GPW-18349, WO-A-6747) . . . . .	1	
		FM-GPW-6338-D	WO-116525	BEARING, engine crankshaft, front lower (0.030 undersize) (also in BEARING SET, FM-GPW-18350, WO-A-6748) . . . . .	1	
		FM-GPW-6333-D	WO-116523	BEARING, engine crankshaft, front upper (0.030 undersize) (also in BEARING SET, FM-GPW-18350, WO-A-6748) . . . . .	1	

Note 1—Only for vehicles modified by MWO ORD G503-W7 (see page 3). Note 2—Only for vehicles modified by MWO ORD G503-W8 (see page 3).  
 Note 3—Only for vehicles modified by MWO ORD G503-W9 (see page 3).

**GROUP 01—ENGINE (Cont'd)**

0102A

Figure Number	Official Stock Number	Piece Mark or Part Number		ITEM	Quant. Reqd. per Unit Assy.	Unit Price
		Ford No.	Willys No.			
Col. 1	Col. 2	Col. 3	Col. 4	Col. 5	Col. 6	Col. 7
				<b>0102A—CRANKSHAFT BEARING (Cont'd)</b>		
		FM-GPW-6341-D	WO-116529	BEARING, engine crankshaft, center lower (0.030 undersize) (also in BEARING SET, FM-GPW-18350, WO-A-6748) .....	1	
		FM-GPW-6339-D	WO-116527	BEARING, engine crankshaft, center upper (0.030 undersize) (also in BEARING SET, FM-GPW-18350, WO-A-6748) .....	1	
		FM-GPW-6337-D	WO-116533	BEARING, engine crankshaft, rear lower (0.030 undersize) (also in BEARING SET, FM-GPW-18350, WO-A-6748) .....	1	
		FM-GPW-6331-D	WO-116531	BEARING, engine crankshaft, rear upper (0.030 undersize) (also in BEARING SET, FM-GPW-18350, WO-A-6748) .....	1	
	3320-GPW-18347	FM-GPW-18347	WO-A-6798	BEARING SET, engine crankshaft (std.) .....	1	2.411
				(Consists of:		
		FM-GPW-6338-A	WO-637008	1 BEARING, front lower		
		FM-GPW-6333-A	WO-637007	1 BEARING, front upper		
		FM-GPW-6339-A	WO-638730	1 BEARING, center upper		
		FM-GPW-6341-A	WO-638731	1 BEARING, center lower		
		FM-GPW-6331-A	WO-638732	1 BEARING, rear upper		
		FM-GPW-6337-A	WO-638733	1 BEARING, rear lower)		
	3320-GPW-18348	FM-GPW-18348	WO-A-6746	BEARING SET, engine crankshaft (0.010 undersize) .....	1	2.835
				(Consists of:		
		FM-GPW-6333-B	WO-637724	1 BEARING, front upper		
		FM-GPW-6338-B	WO-637725	1 BEARING, front lower		
		FM-GPW-6339-B	WO-639237	1 BEARING, center upper		
		FM-GPW-6341-B	WO-639238	1 BEARING, center lower		
		FM-GPW-6331-B	WO-639239	1 BEARING, rear upper		
		FM-GPW-6337-B	WO-639240	1 BEARING, rear lower)		
	3320-GPW-18349	FM-GPW-18349	WO-A-6747	BEARING SET, engine crankshaft (0.020 undersize) .....	1	3.08
				(Consists of:		
		FM-GPW-6333-C	WO-116552	1 BEARING, front upper		
		FM-GPW-6338-C	WO-116524	1 BEARING, front lower		
		FM-GPW-6339-C	WO-116526	1 BEARING, center upper		
		FM-GPW-6341-C	WO-116528	1 BEARING, center lower		
		FM-GPW-6331-C	WO-116530	1 BEARING, rear upper		
		FM-GPW-6337-C	WO-116532	1 BEARING, rear lower)		
	3320-GPW-18350	FM-GPW-18350	WO-A-6748	BEARING SET, engine crankshaft (0.030 undersize) .....	1	
				(Consists of:		
		FM-GPW-6338-D	WO-116525	1 BEARING, front lower		
		FM-GPW-6333-D	WO-116523	1 BEARING, front upper		

SNL G-503

24

## GROUP 01—ENGINE (Cont'd)

Figure Number	Official Stock Number	Piece Mark or Part Number		ITEM	Quant. Reqd. per Unit Assy.	Unit Price
		Ford No.	Willys No.			
Col. 1	Col. 2	Col. 3	Col. 4	Col. 5	Col. 6	Col. 7
<b>0102A—CRANKSHAFT BEARING (Cont'd)</b>						
				BEARING SET, engine crankshaft (0.030 undersize) (cont'd)		
		FM-GPW-6341-D	WO-116529	1 BEARING, center lower		
		FM-GPW-6339-D	WO-116527	1 BEARING, center upper		
		FM-GPW-6337-D	WO-116533	1 BEARING, rear lower		
		FM-GPW-6331-D	WO-116531	1 BEARING, rear upper		
01-3, 5	3320-GPW-6345	FM-GPW-6345	WO-381519	BOLT, crankshaft bearing cap (hex-hd., S., 1/2-13NC x 2 3/8)	6	.0435
01-5	H001-1518011	FM-34809-S	WO-5009	WASHER, lock, S., SAE std., 1/2 in.	6	
01-4, 5	3320-GPW-6700	FM-GPW-6700	WO-637098	PACKING, engine crankshaft, front end (also in GASKET SET, FM-GPW-18390, WO-A-1536)	1	.0251
01-4	3320-GPW-6702	FM-GPW-6702	WO-637237	PACKING, engine crankshaft, rear end (CN-type 310-0) (also in GASKET SET, FM-GPW-18390, WO-A-1536)	2	.0179
01-5	3320-GPW-6701	FM-GPW-6701	WO-637790	PACKING, engine crankshaft rear bearing cap (also in GASKET SET, FM-GPW-18390, WO-A-1536)	2	.0184
01-3, 6	3320-GPW-6369	FM-GPW-6369	WO-635377	PIN, dowel, crankshaft bearing	5	.0135
01-5	3320-GPW-6326	FM-GPW-6326	WO-630294	PIPE, drain, engine crankshaft rear bearing cap	1	.0512
	3320-357420-S	FM-357420-S	WO-337112	PIN, S., 1/8 x 7/8	1	
01-5	3320-GPW-6287	FM-GPW-6287	WO-375920	RETAINER, engine crankshaft front packing	1	.0264
<b>0103—PISTONS</b>						
	3320-GPW-6110-A	FM-GPW-6110-A	WO-636954	PISTON, engine, w/o PIN (std.)	4	
	3320-GPW-6110-C	FM-GPW-6110-C	WO-116021	PISTON, engine, w/o PIN (0.020 oversize)	4	
	3320-GPW-6110-D	FM-GPW-6110-D	WO-116022	PISTON, engine, w/o PIN (0.030 oversize)	4	
01-3, 4	3320-GPW-6105-A	FM-GPW-6105-A	WO-637041	PISTON, engine, w/PIN, assembly (std. size re-ring)	4	1.645
	3320-GPW-6105-C	FM-GPW-6105-C	WO-116019	PISTON, engine, w/PIN, assembly (0.020 oversize re-ring)	4	1.515
	3320-GPW-6105-D	FM-GPW-6105-D	WO-116020	PISTON, engine, w/PIN, assembly (0.030 oversize re-ring)	4	1.515
	3320-GPW-6105-F	FM-GPW-6105-F	WO-116701	PISTON, engine, w/PIN, assembly (0.040 oversize re-ring)	4	
<b>0103A—RINGS</b>						
01-7		FM-GPW-6150-A	WO-639864	RING, engine piston, top groove, std.	4	
		FM-GPW-6150-C	WO-116502	RING, engine piston, top groove, 0.020 oversize	4	
		FM-GPW-6150-D	WO-116503	RING, engine piston, top groove, 0.030 oversize	4	
01-7		FM-GPW-6155-A	WO-637042	RING, engine piston, second groove, std.	4	
		FM-GPW-6155-G	WO-116023	RING, engine piston, second groove, 0.020 oversize	4	
		FM-GPW-6155-H	WO-116024	RING, engine piston, second groove, 0.030 oversize	4	

01-7	3320-GPW-6149-E	FM-GPW-6156-F	WO-116616	RING, engine piston, bottom groove, std.	4	
		FM-GPW-6156-H	WO-116116	RING, engine piston, bottom groove, 0.020 oversize	4	
		FM-GPW-6156-J	WO-116117	RING, engine piston, bottom groove, 0.030 oversize	4	.652
		FM-GPW-6149-E	WO-A-6794	RING SET, engine piston, conventional type (std.)	1	
		FM-GPW-6150-A	WO-639864	(Consists of:		
		FM-GPW-6155-A	WO-637042	4 RING, top groove		
		FM-GPW-6156-F	WO-116616	4 RING, second groove		
				4 RING, bottom groove)		

Key	Part Name	Ford Part No.	Willys Part No.	Group No.
A	RING	FM-GPW-6150-A	WO-639864	0103A
B	RING	FM-GPW-6155-A	WO-637042	0103A
C	RING	FM-GPW-6156-F	WO-116616	0103A
D	PISTON	FM-GPW-6105-A	WO-637041	0103
E	WASHER	FM-34807-S2	WO-5010	0103B
F	BOLT	FM-355497-S	WO-632157	0103B
G	BOLT	Willys only	WO-640070	0104
H	ROD, assembly	FM-GPW-6200	WO-640071	0104
J	NUT	FM-356021-S	WO-636962	0104
K	NUT	FM-356028-S	WO-52825	0104
L	BEARING	FM-GPW-6211-A	WO-639862	0104A
M	PIN	FM-GPW-6135-A	WO-636961	0103B

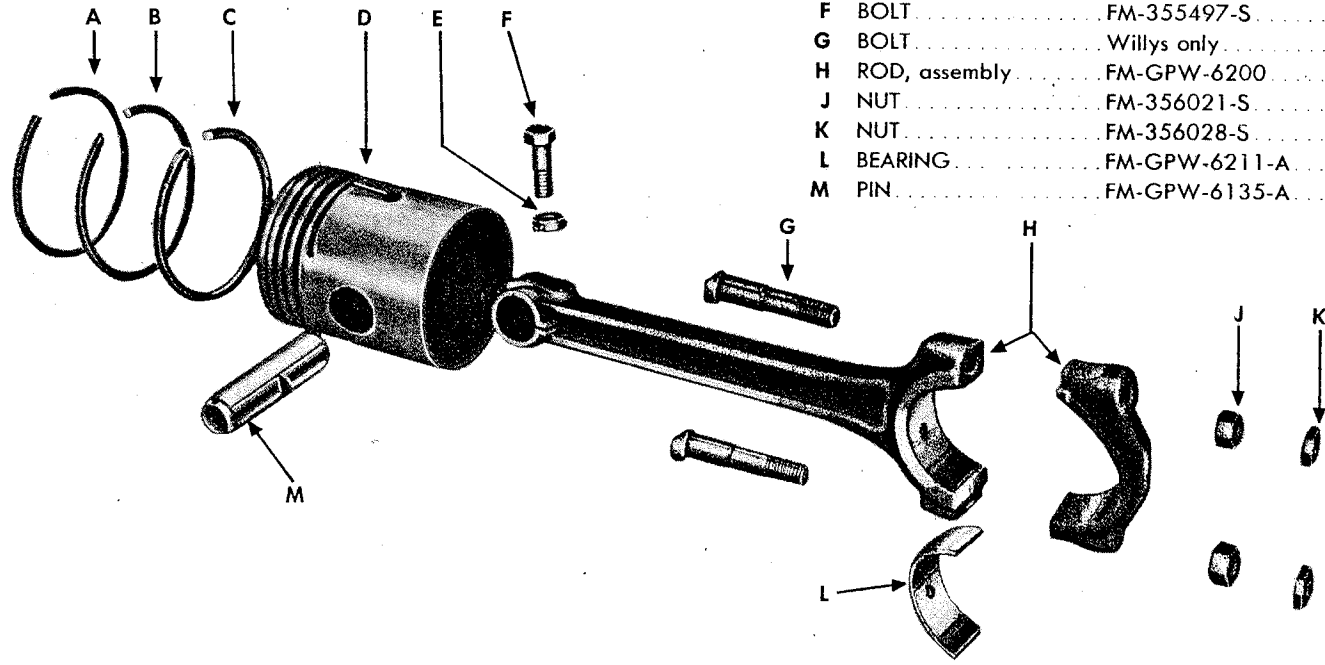


FIGURE 01-7—PISTON AND CONNECTING ROD—EXPLODED VIEW

RA PD 342261

0103A

**GROUP 01—ENGINE (Cont'd)**

0103A-0104

Figure Number	Official Stock Number	Piece Mark or Part Number		I T E M	Quant. Reqd. per Unit Assy.	Unit Price
		Ford No.	Willys No.			
Col. 1	Col. 2	Col. 3	Col. 4	Col. 5	Col. 6	Col. 7
<b>0103A—RINGS (Cont'd)</b>						
	3320-GPW-6149-G	FM-GPW-6149-G	WO-A-6796	RING SET, engine piston, conventional type (0.020 oversize)..... (Consists of: 4 RING, top groove 4 RING, second groove 4 RING, bottom groove)	1	.652
	3320-GPW-6149-H	FM-GPW-6149-H	WO-A-6797	RING SET, engine piston, conventional type (0.030 oversize)..... (Consists of: 4 RING, top groove 4 RING, second groove 4 RING, bottom groove)	1	.652
	3320-GPW-6149-J	FM-GPW-6149-J	WO-A-15283	RING SET, engine piston, conventional type (.040 oversize).....	1	
<b>0103B—PISTON PINS</b>						
01-7	3320-355497-S	FM-355497-S	WO-632157	BOLT, lock, engine piston pin (in connecting rod).....	4	.0125
01-7	H001-1518009	FM-34807-S2	WO-5010	WASHER, lock, S., SAE std., 3/8 in.....	4	
01-4, 7	3320-GPW-6135-D	FM-GPW-6135-A FM-GPW-6135-D	WO-636961 WO-116003	PIN, engine piston (std. size)..... PIN, engine piston (0.003 oversize).....	4 4	
<b>0104—CONNECTING RODS</b>						
01-4, 7	9680-640070		WO-637020 WO-640070	BOLT, engine connecting rod bearing cap (head has 2 flat sides, S., 1/16-20NF-2 x 2 3/8)..... BOLT, engine connecting rod bearing cap (offset head, S., 1/16-20NF x 2 3/8).....	8 8	
01-4, 7	3320-356021-S	FM-356021-S	WO-636962	NUT, hex., S., 1/16-20NF-2.....	8	.0167
01-7	H001-0726020	FM-356028-S	WO-52825 WO-639999	NUT, hex., S., stamped, std. type, 1/16-20NF-2 (Palnut)..... ROD, connecting, engine, Nos. 1 and 3, assembly (less bearing) (superseded by ROD, FM-GPW-6200, WO-640071).....	8 2	.0042
01-3, 7	3320-GPW-6200	FM-GPW-6200	WO-640071	ROD, connecting, engine, Nos. 1 and 3, assembly (less bearing) (supersedes ROD, WO-639999) ( <i>Note 1</i> ).....	2	2.525
			WO-639858 WO-640000	ROD, connecting, engine, Nos. 1 and 3, w/BEARING, assembly..... ROD, connecting, engine, Nos. 2 and 4, assembly (less bearing) (superseded by ROD, FM-GPW-6201, WO-640072).....	2 2	
01-4	3320-GPW-6201	FM-GPW-6201	WO-640072	ROD, connecting, engine, Nos. 2 and 4, assembly (less bearing) (supersedes ROD, WO-640000) ( <i>Note 1</i> ).....	2	2.525
			WO-639859	ROD, connecting, engine, Nos. 2 and 4, w/BEARING, assembly.....	2	

SNL G-503

				0104A—CONNECTING ROD BEARINGS		
01-7	3320-GPW-6211-A	FM-GPW-6211-A	WO-639862	BEARING, engine connecting rod, upper or lower half (std.) (also in BEARING SET, FM-GPW-18330-A, WO-A-7233)	8	
	3320-GPW-6211-B	FM-GPW-6211-B	WO-116534	BEARING, engine connecting rod, upper or lower half (0.010 undersize) (also in BEARING SET, FM-GPW-18330-B, WO-A-7234)	8	
	3320-GPW-6211-C	FM-GPW-6211-C	WO-116535	BEARING, engine connecting rod, upper or lower half (0.020 undersize) (also in BEARING SET, FM-GPW-18330-C, WO-A-7235)	8	
		FM-GPW-6211-D	WO-116536	BEARING, engine connecting rod, upper or lower half (0.030 undersize) (also in BEARING SET, FM-GPW-18330-D, WO-A-7236)	8	
	3320-GPW-18330-A	FM-GPW-18330-A	WO-A-7233	BEARING SET, engine connecting rod (std.)	4	.424
		FM-GPW-6211-A	WO-639862	(Consists of: 2 BEARING)		
	3320-GPW-18330-B	FM-GPW-18330-B	WO-A-7234	BEARING SET, engine connecting rod (0.010 undersize)	4	.456
		FM-GPW-6211-B	WO-116534	(Consists of: 2 BEARING)		
	3320-GPW-18330-C	FM-GPW-18330-C	WO-A-7235	BEARING SET, engine connecting rod (0.020 undersize)	4	.489
		FM-GPW-6211-C	WO-116535	(Consists of: 2 BEARING)		
	3320-GPW-18330-D	FM-GPW-18330-D	WO-A-7236	BEARING SET, engine connecting rod (0.030 undersize)	4	
		FM-GPW-6211-D	WO-116536	(Consists of: 2 BEARING)		
	3320-GPW-6510	FM-GPW-6510		<b>0105—VALVES, SEATS, GUIDES, AND SPRINGS</b>		
				GUIDE, engine exhaust valve stem (superseded by GUIDE, FM-GPW-6510-B, WO-375811)	4	
01-3	3320-GPW-6510-B	FM-GPW-6510-B	WO-375811	GUIDE, engine exhaust valve stem (supersedes GUIDE, FM-GPW-6510)	4	.391
	3320-GPW-6511	FM-GPW-6511		GUIDE, engine intake valve stem (superseded by GUIDE, FM-GPW-6511-B, WO-637045)	4	
	3320-GPW-6511-B	FM-GPW-6511-B	WO-637045	GUIDE, engine intake valve stem (supersedes GUIDE, FM-GPW-6511)	4	.391
01-8	3320-GPW-6546	FM-GPW-6546	WO-375994	LOCK, engine valve spring retainer (lower)	16	.0883
01-8	3320-GPW-6514	FM-GPW-6514	WO-637044	RETAINER, engine valve spring (lower)	8	.0334
01-3, 4, 8	3320-GPW-6513	FM-GPW-6513	WO-638636	SPRING, engine valve	8	.0658
	3320-GPW-6550	FM-GPW-6550	WO-637704	SPRING, engine valve tappet clearance (model MA only)	8	
01-3, 4, 8	G503-7036580	FM-GPW-6505	WO-637183	VALVE, exhaust, engine (RMC-A-366)	4	.505
01-4	G503-7036579	FM-GPW-6507	WO-637182	VALVE, intake, engine (RMC-A-365)	4	.153
		FM-355571-S	WO-375910	<b>0105A—TAPPETS</b>		
	3320-GPW-6549	FM-GPW-6549	WO-637048	NUT, engine valve tappet adjusting screw ( $\frac{3}{8}$ -24NF)	8	
				SCREW, adjusting, engine valve tappet (S., hex-hd., $\frac{3}{8}$ -24NF x $\frac{1}{8}$ ) (superseded by SCREW, FM-GPW-6549-B, WO-640020)	8	
01-4, 8	3320-GPW-6549-B	FM-GPW-6549-B	WO-640020	SCREW, adjusting, engine valve tappet (self-locking) (supersedes SCREW, FM-GPW-6549, WO-637048)	8	.0505
	3320-GPW-6552-B	FM-GPW-6552-B	WO-640019	TAPPET, engine valve, w/SCREW, assembly	8	

Note 1—Rod, assemblies, FM-GPW-6200 and FM-GPW-6201 use studs for cap; WO-640071 and WO-640072 use bolts—complete assemblies are interchangeable.



Key	Part Name	Ford Part No.	Willys Part No.	Group No.
A	VALVE	FM-GPW-6505	WO-637183	.0105
B	SPRING	FM-GPW-6513	WO-638636	.0105
C	RETAINER	FM-GPW-6514	WO-637044	.0105
D	LOCK	FM-GPW-6546	WO-375994	.0105
E	SCREW	FM-GPW-6549-B	WO-640020	.0105A
F	TAPPET	FM-GPW-6500-A	WO-637047	.0105A
G	CAMSHAFT	FM-GPW-6250	WO-637065	.0106
H	PLUNGER	FM-GPW-6243	WO-375907	.0106
J	SPRING	FM-GPW-6244	WO-375908	.0106
K	BOLT	FM-355499-S	WO-634850	.0106C
L	WASHER	FM-GPW-6269	WO-315932	.0106C
M	SPROCKET	FM-GPW-6306	WO-638459	.0106C
N	SPROCKET	FM-GPW-6256	WO-638458	.0106C
P	CHAIN	FM-GPW-6260	WO-638457	.0106C
Q	WASHER	FM-GPW-6245	WO-375900	.0106
R	BUSHING	FM-GPW-6262-A	WO-639051	.0106A

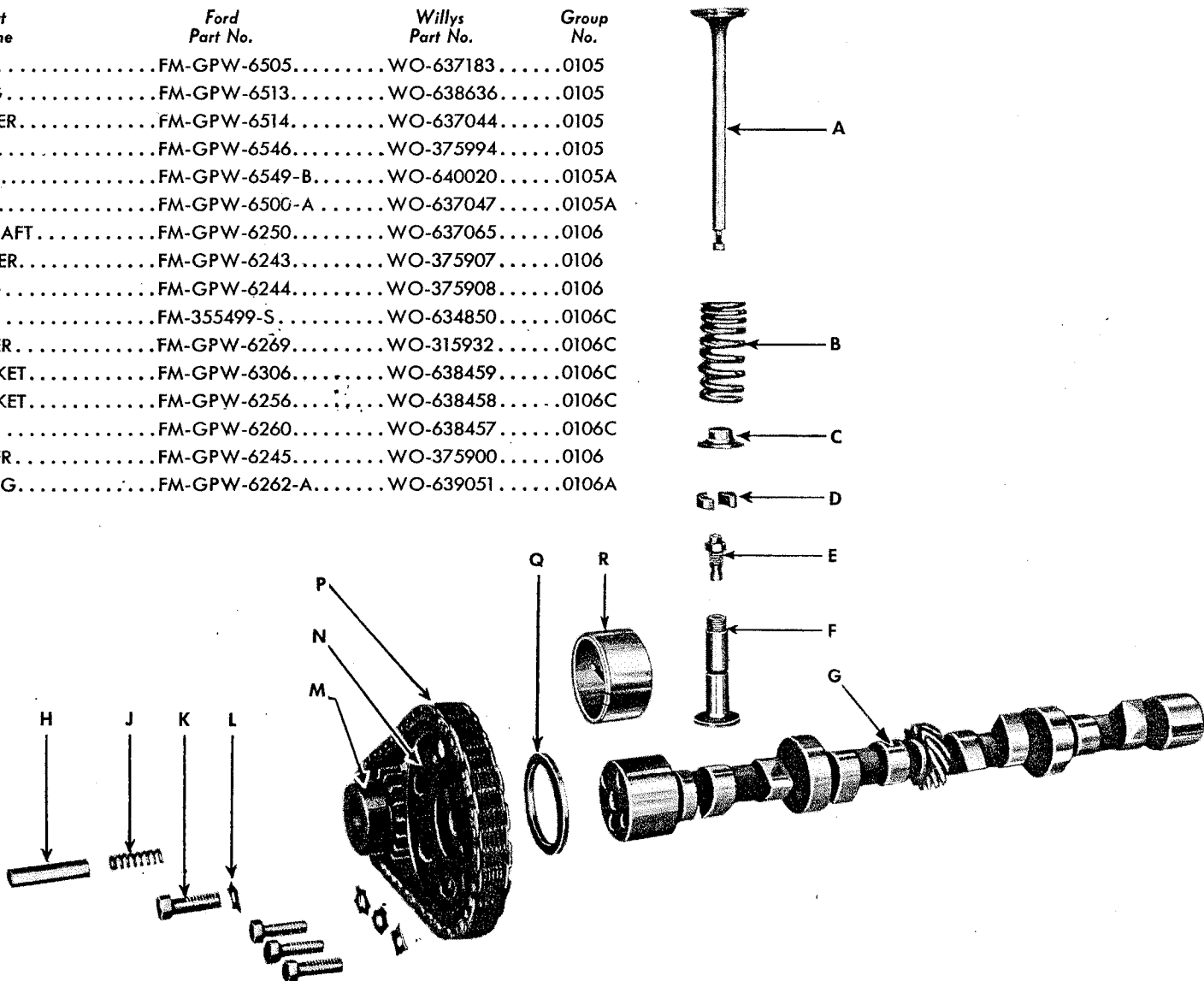
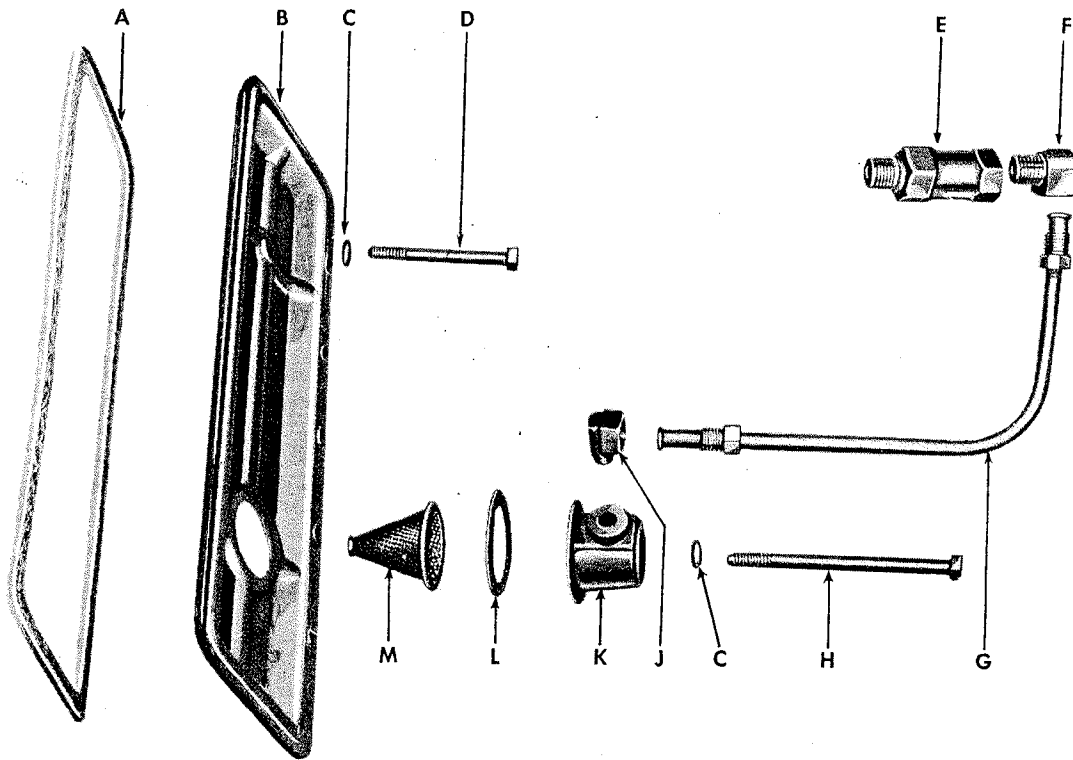


FIGURE 01-8—CAMSHAFT, TIMING CHAIN AND VALVE MECHANISM—EXPLODED VIEW



Key	Part Name	Ford Part No.	Willys Part No.	Group Number
A	GASKET	FM-GPW-6521	WO-630305	0105C
B	COVER	FM-GPW-6520	WO-630303	0105C
C	GASKET	FM-GPW-6555-A	WO-51875	0105C
D	BOLT	FM-355452-S	WO-639052	0105C
E	VALVE, assembly	FM-GPW-6769	WO-A-6895	0107N
F	ELBOW	FM-GPW-6722	WO-A-6885	0107N
G	TUBE, assembly	FM-GPW-6756	WO-A-6922	0107N
H	BOLT	FM-355451-S	WO-632158	0105C
J	ELBOW	FM-GPW-9268	WO-384549	0107N
K	BODY	FM-GPW-6758-B	WO-A-6919	0107N
L	GASKET	FM-GPW-6648	WO-630299	0107N
M	BAFFLE	FM-GPW-6762	WO-630298	0107N

FIGURE 01-9—VALVE COVER AND VENTILATOR PARTS—EXPLODED VIEW

**GROUP 01—ENGINE (Cont'd)**

Figure Number	Official Stock Number	Piece Mark or Part Number		ITEM	Quant. Reqd. per Unit Assy.	Unit Price
		Ford No.	Willys No.			
Col. 1	Col. 2	Col. 3	Col. 4	Col. 5	Col. 6	Col. 7
<b>0105A—TAPPETS (Cont'd)</b>						
01-4, 8	3320-GPW-6500-A	FM-GPW-6500-A	WO-637047	TAPPET, engine valve, std. (WIL-ST-1265) (CCS-W-41-25).....	8	.228
		FM-GPW-6500-B	WO-115498	TAPPET, engine valve, 0.004 O.S.....	4	.228
<b>0105C—VALVE COVERS AND GASKETS</b>						
01-3, 9	G503-0131476	FM-GPW-6520	WO-630303	COVER, engine valve spring.....	1	.261
01-9		FM-355451-S	WO-632158	BOLT, hex-hd., S., $\frac{5}{16}$ -18NC-2 x $4\frac{1}{8}$ .....	1	.0167
01-9		FM-355452-S	WO-639052	BOLT, hex-hd., S., $\frac{5}{16}$ -18NC-2 x $3\frac{1}{16}$ .....	1	.0167
01-9	G503-0194022	FM-GPW-6521	WO-630305	GASKET, engine valve spring cover (also in FM-GPW-18387, WO-A-1537, GASKET SET).....	1	.0432
	G503-0194032	FM-GPW-6555		GASKET, engine valve spring cover bolt (superseded by GASKET, FM-GPW-6555-A, WO-51875).....	2	.0036
01-9		FM-GPW-6555-A	WO-51875	GASKET, engine valve spring cover bolt (also in FM-GPW-18387, WO-A-1537, GASKET SET) (supersedes GASKET, FM-GPW-6555).....	2	
<b>0106—CAMSHAFT</b>						
01-4, 8	G503-0131476	FM-GPW-6250	WO-637065	CAMSHAFT, engine.....	1	5.67
01-4, 8	3320-GPW-6243	FM-GPW-6243	WO-375907	PLUNGER, thrust, engine camshaft.....	1	.244
01-8	3320-GPW-6244	FM-GPW-6244	WO-375908	SPRING, engine camshaft thrust plunger.....	1	.0106
01-8		FM-GPW-6285	WO-630364	STUD, engine camshaft thrust plunger (in timing chain cover).....	1	.142
01-4, 8	3320-GPW-6245	FM-GPW-6245	WO-375900	WASHER, thrust, engine camshaft.....	1	.099
<b>0106A—CAMSHAFT BUSHINGS (BEARINGS)</b>						
01-4, 8	3320-GPW-6262-A	FM-GPW-6262-A	WO-639051	BUSHING, engine camshaft, front.....	1	.116
	3320-74127-S	FM-74127-S	WO-51460	PLUG, expansion, engine camshaft rear bearing ( $1\frac{3}{4}$ in. O.D.).....	1	
<b>0106C—CHAINS AND SPROCKETS</b>						
01-4, 8	G503-7036574	FM-GPW-6260	WO-638457	CHAIN, timing, engine camshaft ( $\frac{1}{2}$ in. thk. x 1 in. wide) (LK-S-40936).....	1	1.47
01-6	3320-GPW-6342-A	FM-GPW-6342-A	WO-630727	SPACER, engine crankshaft sprocket.....	1	.0111
01-4, 8	G503-7036571	FM-GPW-6256	WO-638458	SPROCKET, engine camshaft (S., 36 teeth, 5.780 O.D. x 1.013 thk.) (LK-S-035117-1)	1	.603
01-8		FM-355499-S	WO-634850	BOLT, hex-hd., s-fin., alloy-S., $\frac{3}{8}$ -24NF x $1\frac{1}{4}$ .....	4	.0125
01-8	3320-GPW-6269	FM-GPW-6269	WO-315932	WASHER, lock, S., $\frac{3}{8}$ in.....	4	.0016
01-4, 6	G503-7036572	FM-GPW-6306	WO-638459	SPROCKET, engine crankshaft (S., 18 teeth, 2.870 O.D. x 1.656 thk.) (LK-S-35116-1)	1	.684
01-6	H101-0124552	FM-74182-S	WO-50917	KEY, Woodruff, No. 13 ( $\frac{3}{16}$ x 1) (GM-124542).....	1	

SNL G-503

32

0105A-0106C

0106D—TIMING CHAIN COVER

01-1, 4, 5	3320-GPW-6016 3320-GPW-6054	FM-GPW-6016 FM-GPW-6054	WO-A-1190	COVER, engine timing chain, assembly (superseded by COVER, assembly, WO-A-1190)	1	1.37
01-5	H001-1518009	FM-33800-S7 FM-88022-S	WO-52542	COVER, engine timing chain, assembly (supersedes COVER, assembly, FM-GPW-6016)	1	
01-5	3320-GPW-6288	FM-34807-S2 FM-GPW-6288	WO-384958 WO-5010	NUT, reg., hex., S., cd-pltd., $\frac{3}{8}$ -24NF-2	6	
01-5	3320-GPW-6020	FM-GPW-6020	WO-630365	STUD, $\frac{3}{8}$ -16NC x $1\frac{1}{16}$ x $\frac{3}{8}$ -24NF (timing chain cover to block)	6	.0125
01-5		FM-GPW-6031		WASHER, lock, S., SAE std., $\frac{3}{8}$ in.	6	
01-5		FM-GPW-6031-A3	WO-A-1463	GASKET, engine timing chain cover (also in GASKET SET, FM-GPW-18390, WO-A-1536)	1	.0329
		FM-20349-S2	WO-50163	GASKET, engine cylinder block to timing chain cover plate (also in GASKET SET, FM-GPW-18390, WO-A-1536)	1	.0042
		FM-24389-S2	WO-5919	PLATE, engine cylinder block to timing chain cover (superseded by PLATE, FM-GPW-6031-A3, WO-A-1463)	1	
		FM-24348-S	WO-6412	PLATE, engine cylinder block to timing chain cover (supersedes PLATE, FM-GPW-6031)	1	2.02
		FM-33800-S7	WO-52542	BOLT, hex-hd., S., $\frac{3}{8}$ -24NF-2 x $\frac{1}{4}$ (plate to front cover)	3	
		FM-34807-S2	WO-5010	BOLT, hex-hd., S., $\frac{3}{8}$ -24NF-2 x 1 (plate to front cover)	1	.0125
		FM-GPW-6286	WO-375917	BOLT, hex-hd., S., $\frac{3}{8}$ -16NC-2 x $\frac{3}{4}$ (plate to cylinder block)	3	
				NUT, reg., hex., S., cd-pltd., $\frac{3}{8}$ -24NF-2	4	
				WASHER, lock, S., SAE std., $\frac{3}{8}$ in.	7	
				RING, retaining, engine timing chain cover packing	1	.0285

0107—OIL PUMP

01-10		FM-GPW-6604	WO-630384	BODY, engine oil pump	1	
01-10	3320-GPW-6664	FM-GPW-6664	WO-630387	COVER, engine oil pump, assembly	1	1.743
01-10		FM-31079-S	WO-51819	SCREW, mach., fil-hd., S., No. 12 (0.214)-24NC-2 x $\frac{5}{8}$	1	.0022
01-10	H001-1518006	FM-34804-S2	WO-51969	WASHER, lock, S., SAE std., No. 12 (0.214)	1	
01-3, 10	3320-GPW-6673	FM-GPW-6673	WO-636600	DISK, engine oil pump rotor	1	.0973
	3320-GPW-6619	FM-GPW-6619	WO-630392	GASKET, engine oil pump cover (0.003 thk.) (also in GASKET SET, FM-GPW-18380, WO-A-6750 and FM-GPW-18390, WO-A-1536)	1	
01-10	3320-GPW-6659	FM-GPW-6659	WO-639870	GASKET, engine oil pump cover (vellumoid, 0.010 thk.) (also in GASKET SET, FM-GPW-18380, WO-A-6750 and FM-GPW-18390, WO-A-1536)	1	
		FM-355262-S	WO-380197	GASKET, engine oil pump cover to body screw	1	.0042
01-10	3320-GPW-6625	FM-GPW-6625	WO-375927	GASKET, engine oil pump shaft (also in GASKET SET, FM-GPW-18380, WO-A-6750 and FM-GPW-18390, WO-A-1536)	1	
01-10	3320-GPW-6630	FM-GPW-6630	WO-630394	GASKET, engine oil pump to cylinder block (also in GASKET SET, FM-GPW-18380, WO-A-6750 and FM-GPW-18390, WO-A-1536)	1	
01-10	3320-GPW-6642	FM-GPW-6642	WO-634813	GASKET, engine oil pump oil relief spring retainer (paper) (also in GASKET SET, FM-GPW-18380, WO-A-6750 and FM-GPW-18390, WO-A-1536)	1	
01-3, 10	3320-GPW-6610	FM-GPW-6610	WO-637425	GEAR, driven, engine oil pump (12 teeth, 1.1369 O.D. x $\frac{5}{16}$ thk.) (also in KIT, FM-GPW-18379, WO-A-6749)	1	
01-10		FM-GPW-6684	WO-330964	PIN, stght., S., $\frac{3}{32}$ x $\frac{31}{32}$ (also in KIT, FM-GPW-18379, WO-A-6749)	1	.022
	3320-GPW-18380	FM-GPW-18380	WO-A-6750	GASKET SET, service, engine oil pump	1	.13
		FM-355262-S	WO-380197	(Consists of:		
		FM-GPW-6627	WO-630398	1 GASKET, cover to body screw		
		FM-GPW-6659	WO-639870	1 GASKET, oil float support		
				1 GASKET, oil pump cover		

**GROUP 01—ENGINE (Cont'd)**

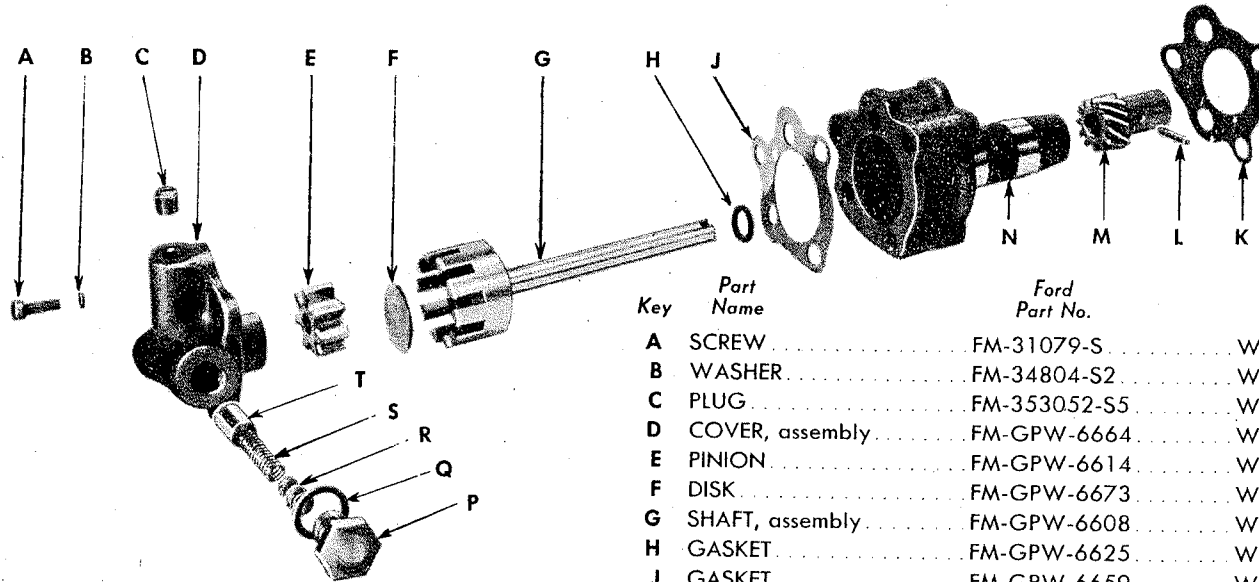
SNL G-503

0107-0107A

Figure Number	Official Stock Number	Piece Mark or Part Number		ITEM	Quant. Reqd. per Unit Assy.	Unit Price
		Ford No.	Willys No.			
Col. 1	Col. 2	Col. 3	Col. 4	Col. 5	Col. 6	Col. 7
				<b>0107—OIL PUMP (Cont'd)</b>		
		FM-GPW-6619	WO-630392	GASKET SET, service, engine oil pump (Cont'd)		
		FM-GPW-6630	WO-630394	4 GASKET, oil pump cover		
		FM-GPW-6625	WO-375927	1 GASKET, oil pump to cylinder block		
		FM-GPW-6642	WO-634813	1 GASKET, oil pump shaft		
		FM-GPW-6648	WO-630299	1 GASKET, oil relief spring retainer		
		FM-GPW-6628	WO-630389	1 GASKET, ventilator to valve spring cover		
	3320-GPW-18379	FM-GPW-18379	WO-A-6749	4 SHIM, oil relief spring)		
				KIT, repair, engine oil pump . . . . .	1	2.085
				(Consists of:		
		FM-GPW-6610	WO-637425	1 GEAR, driven		
	3320-GPW-6684	FM-GPW-6684	WO-330964	1 PIN, driven gear		
	3320-GPW-6614	FM-GPW-6614	WO-343306	1 PINION		
	3320-GPW-6608	FM-GPW-6608	WO-636599	1 SHAFT)		
01-3, 10	3320-GPW-6614	FM-GPW-6614	WO-343306	PINION, engine oil pump (7 teeth) (also in KIT, FM-GPW-18379, WO-A-6749) . . . . .	1	
01-10	H006-0283180	FM-353052-S5	WO-52525	PLUG, engine oil pump cover (pipe, slotted, 1/8 in.) . . . . .	1	.0055
01-3, 10	3320-GPW-6663	FM-GPW-6663	WO-630518	PLUNGER, engine oil pump relief . . . . .	1	.0256
01-1, 3	3320-GPW-6600	FM-GPW-6600	WO-637636	PUMP, oil, engine, assembly . . . . .	1	7.445
01-5	H101-0103180	FM-88141-S	WO-375981	STUD, S., 5/16-18NC-2 x 2 3/4 x 3/16-24NF-2 . . . . .	3	.0092
01-5		FM-33798-S7	WO-A-1532	NUT, hex., reg., S., cd-pltd., 5/16-24NF-2 . . . . .	3	
01-5	H001-7025711	FM-34806-S7	WO-51833	WASHER, lock, S., cd-pltd., SAE std., 5/16 in. . . . .	3	
01-3, 10	3320-GPW-6644	FM-GPW-6644	WO-630390	RETAINER, engine oil pump oil relief spring . . . . .	1	.0422
01-3, 10	3320-GPW-6608	FM-GPW-6608	WO-636599	SHAFT, engine oil pump, assembly (also in KIT, FM-GPW-18379, WO-A-6749) . . . . .	1	
01-3, 10	3320-GPW-6628	FM-GPW-6628	WO-630389	SHIM, engine oil pump oil relief spring . . . . .	as req.	
01-3, 10	3320-GPW-6654	FM-GPW-6654	WO-336155	SPRING, engine oil pump oil relief plunger (S., wire, 13 turns, 0.360 O.D. x 1 3/8 free lgth.)	1	.0106
				<b>0107A—OIL PAN</b>		
	3320-GPW-6710	FM-GPW-6710	WO-639980	GASKET, engine oil pan (also in GASKET SET, FM-GPW-18512, WO-A-1538 and FM-GPW-18390, WO-A-1536) . . . . .	1	
		FM-GPW-B-12410	WO-640030	GASKET, engine oil pan drain plug (optional with GASKET, FM-GPW-6734) . . . . .	1	
	3320-GPW-6734	FM-GPW-6734	WO-314338	GASKET, engine oil pan drain plug (optional with GASKET, FM-B-12410) (also in GASKET SET, FM-GPW-18512, WO-A-01538 and FM-GPW-18390, WO-A-1536)	1	.0037
	G503-0194020	FM-GPW-18512	WO-A-1538	GASKET SET, engine oil pan (also in GASKET SET, FM-GPW-18390, WO-A-1536)	1	.293
				(Consists of:		
		FM-GPW-6627	WO-630398	1 GASKET, oil strainer float support		
		FM-GPW-6710	WO-639980	1 GASKET, oil pan		
		FM-GPW-6734	WO-314338	1 GASKET, oil pan drain plug)		

34

01-1, 3	3320-GPW-6675	FM-GPW-6675	WO-A-1167	PAN, oil, engine, assembly (superseded by PAN, FM-GPW-6675, WO-A-7238).....	1	
01-3		FM-355403-S2	WO-A-7238	PAN, oil, engine, assembly (supersedes PAN, WO-A-1167).....	1	2.79
01-3	G503-0340661	FM-GPW-6727	WO-639979	BOLT, hex-hd., S., $\frac{5}{16}$ -18NC-2 x $1\frac{1}{16}$ (w/lock WASHER).....	20	.0083
				PLUG, drain, engine oil pan ( $\frac{1}{8}$ in.).....	1	.093



Key	Part Name	Ford Part No.	Willys Part No.	Group No.
A	SCREW.....	FM-31079-S	WO-51819	0107
B	WASHER.....	FM-34804-S2	WO-51969	0107
C	PLUG.....	FM-353052-S5	WO-52525	0107
D	COVER, assembly.....	FM-GPW-6664	WO-630387	0107
E	PINION.....	FM-GPW-6614	WO-343306	0107
F	DISK.....	FM-GPW-6673	WO-636600	0107
G	SHAFT, assembly.....	FM-GPW-6608	WO-636599	0107
H	GASKET.....	FM-GPW-6625	WO-375927	0107
J	GASKET.....	FM-GPW-6659	WO-639870	0107
K	GASKET.....	FM-GPW-6630	WO-630394	0107
L	PIN.....	FM-GPW-6684	WO-330964	0107
M	GEAR.....	FM-GPW-6610	WO-637425	0107
N	BODY.....	FM-GPW-6604	WO-630384	0107
P	RETAINER.....	FM-GPW-6644	WO-630390	0107
Q	GASKET.....	FM-GPW-6642	WO-634813	0107
R	SHIM.....	FM-GPW-6628	WO-630389	0107
S	SPRING.....	FM-GPW-6654	WO-356155	0107
T	PLUNGER.....	FM-GPW-6663	WO-630518	0107

FIGURE 01-10—OIL PUMP ASSEMBLY—EXPLODED VIEW

RA PD 342262

0107A

**GROUP 01—ENGINE (Cont'd)**

SNL G-503

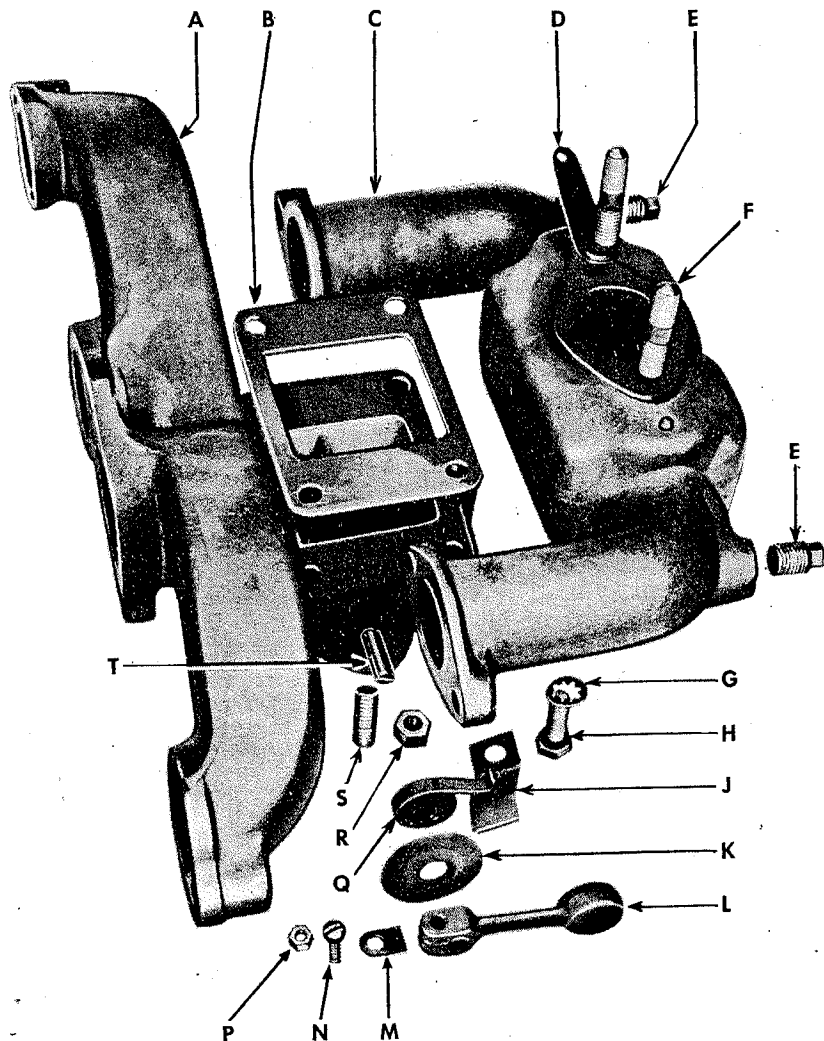
0107A-1-0107E

Figure Number	Official Stock Number	Piece Mark or Part Number		ITEM	Quant. Req. per Unit Assy.	Unit Price
		Ford No.	Willys No.			
Col. 1	Col. 2	Col. 3	Col. 4	Col. 5	Col. 6	Col. 7
<b>0107A-1—OIL FLOAT</b>						
01-3, 4	G503-7036578 H001-0811055 3320-GPW-6627	FM-GPW-6615 FM-72089-S FM-GPW-6627	WO-630396 WO-5134 WO-630398	FLOAT, oil strainer, engine, assembly (TSE-215-B) . . . . . PIN, cotter, split, S., 1/8 x 1 3/4 . . . . . GASKET, engine oil strainer float support (also in GASKET SET, FM-GPW-18512, WO-A-1538 and FM-GPW-18390, WO-A-1536) . . . . .	1 1 1	.391
01-3, 4	3320-GPW-6617 H001-5419140 H001-7025711	FM-GPW-6617 FM-355396-S FM-34806-S7	WO-630397 WO-636796 WO-51833	SUPPORT, engine oil strainer float . . . . . BOLT, hex-hd., 5/16-18NC-2 x 3/4 . . . . . WASHER, lock, S., cd-pltd., SAE std., 5/16 in. . . . .	1 2 2	.136 .0125
<b>0107E—OIL FILTER</b>						
01-12		FM-GPW-18663	WO-A-1247	BRACKET, mounting, engine oil filter, assembly . . . . .	1	.472
01-12		FM-GPW-18644-A FM-GPW-18687	WO-A-6818 WO-A-1251	CASE, engine oil filter, assembly . . . . . CLAMP, engine oil filter, assembly . . . . .	1 2	
01-12	G148-0140138	FM-GPW-18687-A	WO-A-1231	COVER, engine oil filter, assembly (superseded by COVER, assembly, FM-GPW-18687-A, WO-A-1231) . . . . .	1	
01-12		FM-GPW-18691 FM-GPW-18691-A FM-GPW-18662-A	WO-A-1232	COVER, engine oil filter, assembly (PU-25791) (supersedes COVER, assembly, FM-GPW-18687) . . . . . BOLT, oil filter cover (superseded by BOLT, FM-GPW-18691-A, WO-A-1232) . . . . . BOLT, hex-hd., S., 7/16-20NF-2 (PU-25755) (supersedes BOLT, FM-GPW-18691) . . . . .	1 1 1	.961 .097
01-12	H017-0540462	FM-GPW-18662-B	WO-A-1236	ELEMENT, engine oil filter, assembly (superseded by ELEMENT, assembly, FM-GPW-18662-B, WO-A-1236) . . . . .	1	.815
	H017-0540501	FM-GPW-18660		ELEMENT, engine oil filter, assembly (PU-26687) (supersedes ELEMENT, assembly, FM-GPW-18662-A) . . . . .	1	
01-2	H017-0540501	FM-GPW-18660-A	WO-A-1230	FILTER, oil, engine, assembly (superseded by FILTER, assembly FM-GPW-18660-A, WO-A-1230) . . . . .	1	
		FM-24347-S2 FM-34806-S7 FM-34746-S7 FM-GPW-18688	WO-51396 WO-51833 WO-A-1533	FILTER, oil, engine assembly (PU-27078) (supersedes FILTER, assembly, FM-GPW-18660) . . . . . BOLT, hex-hd., S., 3/16-24NF-2 x 3/4 . . . . . WASHER, lock, S., cd-pltd., SAE std., 5/16 in. . . . . WASHER, plain, S., cd-pltd., SAE std., 5/16 in. . . . .	1 4 4 4	2.95
01-12	G503-0194033	FM-GPW-18688-A FM-GPW-18675	WO-A-1235	GASKET, engine oil filter cover (superseded by GASKET, FM-GPW-18688-A, WO-A-1235) . . . . . GASKET, engine oil filter cover (PU-25802) (supersedes GASKET, FM-GPW-18688) GASKET, engine oil filter cover bolt (PU-25756) (supersedes by GASKET, FM-GPW-18675-A, WO-A-1233) . . . . .	1 1 1	.0223

36

01-12	G116-1593934	FM-GPW-18675-A	WO-A-1233	GASKET, engine oil filter cover bolt (PU-25756) (supersedes GASKET, FM-GPW-18675).....	1	.0036
01-12	G148-0340604	FM-GPW-13434-A FM-358040-S FM-GPW-18685	WO-345961 WO-A-1237	GROMMET, engine oil filter bracket.....	1	.0212
01-12	G148-0389795-A	FM-GPW-18685-A	WO-A-1234	PLUG, drain, engine oil filter (S., $\frac{3}{16}$ , hex., $\frac{1}{4}$ "18NPT) (PU-25795).....	1	.0425
				SPRING, engine oil filter cover bolt (superseded by SPRING, FM-GPW-18685-A, WO-A-1234).....	1	
				SPRING, engine oil filter cover bolt (S-wire, tapered, I.D. $\frac{13}{16}$ to $\frac{17}{32}$ ) (PU-25757) (supersedes SPRING, FM-GPW-18685).....	1	.0331
				<b>0107G—OIL FILLER</b>		
		FM-GPW-6770	WO-A-5105	BRACKET, support, engine oil filler tube.....	1	.027
		FM-GPW-6772	WO-53108	CLAMP, engine crankcase ventilator hose to oil filler tube.....	2	.0135
		FM-GPW-6771	WO-A-6918	HOSE, flexible, engine crankcase ventilator to oil filler tube ( $\frac{3}{4}$ O.D. x $\frac{1}{2}$ I.D. x $3\frac{3}{4}$ )	1	.0406
	3320-GPW-6763-A	FM-GPW-6763-A	WO-639555	TUBE, engine oil filler (straight type).....	1	
	G503-0407837	FM-GPW-6763-B	WO-A-5165	TUBE, engine oil filler, assembly (funnel type).....	1	
01-3	3320-GPW-6763-C	FM-GPW-6763-C	WO-A-6915	TUBE, engine oil filler, assembly (with ventilator tube connection).....	1	.798
				<b>0107H—LEVEL INDICATOR (GAGE)</b>		
	3320-GPW-6789	FM-GPW-6789	WO-A-7280	GASKET, engine oil filler cap.....	1	
	G503-0132455	FM-GPW-6766-B	WO-A-5168	INDICATOR, engine oil level, w/filler CAP, assembly (for TUBE FM-GPW-6763-B)	1	
01-3	3320-GPW-6766-C	FM-GPW-6766-C	WO-A-6525	INDICATOR, engine oil level, w/filler CAP, assembly (for TUBE FM-GPW-6763-C)	1	.44
				<b>0107J—OIL DISTRIBUTION SYSTEM</b>		
	3320-9N-18679	FM-9N-18679	WO-387891	CONNECTOR, inverted flared tube, br., $\frac{1}{4}$ in., $\frac{1}{8}$ in. male pipe end (tube to oil filter)	1	.0258
	3320-9N-18686	FM-9N-18686	WO-384569	ELBOW, inverted flared tube, br., $\frac{1}{4}$ in., $\frac{1}{8}$ in. male pipe end (1 used flexible connection to engine; 1 used tube to cylinder block).....	2	.0425
	G503-0217815	FM-GPW-18667	WO-A-1197	TUBE, engine oil filter inlet, assembly.....	1	.456
	G503-0217816	FM-GPW-18666	WO-A-1198	TUBE, flexible (1 used oil filter outlet; 1 used oil gage tube).....	2	.31
	3320-GPW-9316	FM-GPW-9316	WO-A-1450	TUBE, oil gage, assembly ( $\frac{1}{4}$ in. O.D.).....	1	.143
	3320-GPW-9323	FM-GPW-9323	WO-A-1456	UNION, inverted flared tube, br., $\frac{1}{4}$ in. (flexible connection to tube assembly).....	1	.0253
				<b>0107N—CRANKCASE VENTILATOR</b>		
01-3, 9	3320-GPW-6762	FM-GPW-6762	WO-630298	BAFFLE, engine crankcase ventilator.....	1	.0419
	3320-GPW-6758	FM-GPW-6758		BODY, engine crankcase ventilator (superseded by BODY, FM-GPW-6758-A, WO-A-1061).....	1	
	3320-GPW-6758-A	FM-GPW-6758-A	WO-A-1061	BODY, engine crankcase ventilator, assembly (supersedes BODY, FM-GPW-6758) (superseded by BODY, FM-GPW-6758-B, WO-A-6919).....	1	
01-3, 9	3320-GPW-6758-B	FM-GPW-6758-B	WO-A-6919	BODY, engine crankcase ventilator, assembly (used with valve, tube and fittings shown in this group) (supersedes BODY, FM-GPW-6758-A, WO-A-1061).....	1	.152
01-9		FM-GPW-9268	WO-384549	ELBOW, inverted flared tube, $\frac{5}{16}$ in., $\frac{1}{8}$ in. male pipe end (engine crankcase ventilator to tube).....	1	.0446
01-9		FM-GPW-6722	WO-A-6885	ELBOW, inverted flared tube, $\frac{5}{16}$ in., $\frac{1}{4}$ in. male pipe end (engine crankcase ventilator tube to valve).....	1	.065

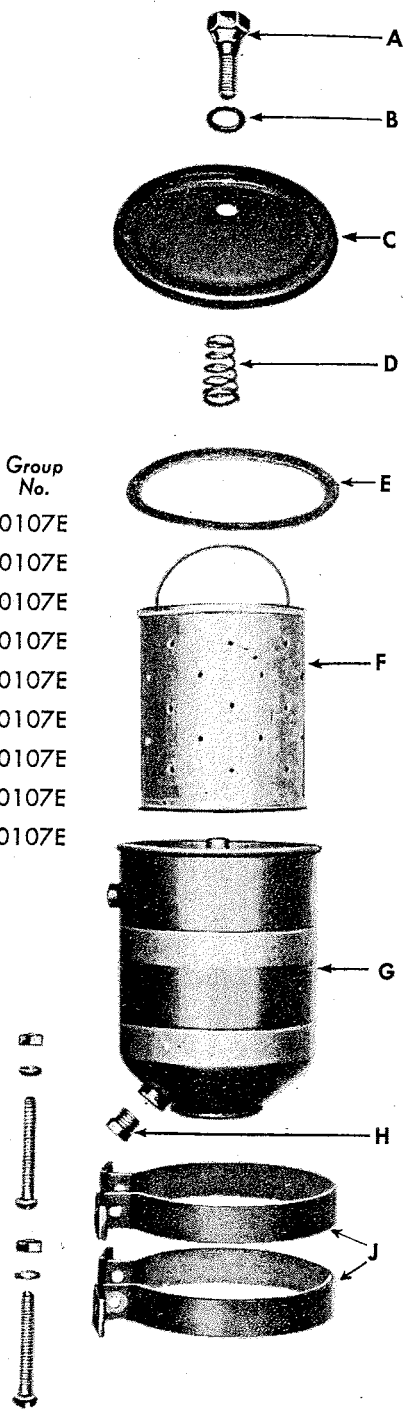




Key	Part Name	Ford Part No.	Willys Part No.	Group No.
A	MANIFOLD, assembly	FM-GPW-9426	WO-A-912	0108
B	GASKET	FM-GPW-9435	WO-634811	0108
C	MANIFOLD, assembly	FM-GPW-9424-B	WO-A-1166	0108
D	CLIP	FM-GPW-9751	WO-A-1173	0303
E	PLUG	FM-353055-S	WO-5138	0108
F	STUD	FM-88057-S7	WO-632159	0108 0301A
G	WASHER	FM-34906-S	WO-52428	0108
H	BOLT	FM-20386-S7	WO-51486	0108
J	STOP	FM-GPW-9463	WO-639743	0108C
K	WASHER	FM-GPW-9484	WO-637209	0108C
L	LEVER	FM-GPW-9458	WO-637210	0108C
M	KEY	FM-GPW-9465	WO-637211	0108C
N	SCREW	FM-355160-S2	WO-5272	0108C
P	NUT	FM-355836-S7	WO-A-1701	0108C
Q	SPRING	FM-GPW-9467-A	WO-637208	0108C
R	NUT	FM-33800-S7	WO-52542	0402
S	STUD	FM-88032-S7	WO-332515	0402
T	SHAFT	FM-GPW-9456	WO-637206	0108C

FIGURE 01-11—MANIFOLD ASSEMBLY—EXPLODED VIEW

Key	Part Name	Ford Part No.	Willys Part No.	Group No.
A	BOLT	FM-GPW-18691-A	WO-A-1232	0107E
B	GASKET	FM-GPW-18675-A	WO-A-1233	0107E
C	COVER	FM-GPW-18687-A	WO-A-1231	0107E
D	SPRING	FM-GPW-18685-A	WO-A-1234	0107E
E	GASKET	FM-GPW-18688-A	WO-A-1235	0107E
F	ELEMENT, assembly	FM-GPW-18662-B	WO-A-1236	0107E
G	CASE, assembly		WO-A-6818	0107E
H	PLUG	FM-358040-S	WO-A-1237	0107E
J	CLAMP, w/BOLT and NUT	FM-GPW-18644-A	WO-A-1251	0107E



RA PD 342264

FIGURE 01-12—OIL FILTER ASSEMBLY—EXPLODED VIEW

## GROUP 01—ENGINE (Cont'd)

Figure Number	Official Stock Number	Piece Mark or Part Number		ITEM	Quant. Reqd. per Unit Assy.	Unit Price
		Ford No.	Willys No.			
Col. 1	Col. 2	Col. 3	Col. 4	Col. 5	Col. 6	Col. 7
<b>0107N—CRANKCASE VENTILATOR (Cont'd)</b>						
01-9	3320-GPW-6648	FM-GPW-6648	WO-630299	GASKET, engine crankcase ventilator to valve spring cover (also in GASKET SETS, FM-GPW-18390, WO-A-1536, FM-GPW-18380, WO-A-6750).....	1	
01-1, 9	3320-GPW-6756	FM-GPW-6756	WO-A-6922	TUBE, engine crankcase ventilator valve, assembly.....	1	.14
01-9	3320-GPW-6769	FM-GPW-6769	WO-A-6895	VALVE, engine crankcase ventilator, assembly.....	1	.538
<b>0108—INTAKE AND EXHAUST MANIFOLDS</b>						
	G503-0194021	FM-GPW-9448	WO-638640	GASKET, engine intake and exhaust manifold (also in GASKET SET, FM-GPW-18323, WO-A-7835 and FM-GPW-18387, WO-A-1537).....	1	
01-11	3320-GPW-9435	FM-GPW-9435	WO-634811	GASKET, engine intake to exhaust manifold (also in GASKET SET, FM-GPW-18323, WO-A-7835, and FM-GPW-18387, WO-A-1537).....	1	
	G503-0194027	FM-GPW-18323	WO-A-7835	GASKET SET, engine manifold.....	1	.0614
		FM-GPW-9450	WO-634814	(Consists of: 1 GASKET, exhaust pipe flange		
		FM-GPW-9448	WO-638640	1 GASKET, intake and exhaust manifold		
		FM-GPW-9435	WO-634811	1 GASKET, intake to exhaust manifold)		
	3320-GPW-9428	FM-GPW-9410-B	WO-A-1165	MANIFOLD, engine intake and exhaust, assembly.....	1	
		FM-GPW-9428		MANIFOLD, exhaust, engine, assembly (superseded by MANIFOLD, FM-GPW-9426, WO-A-912).....	1	
01-1, 3, 4, 11	3320-GPW-9426	FM-GPW-9426	WO-A-912	MANIFOLD, exhaust, engine, w/HEAT CONTROL, assembly (supersedes MANIFOLD, FM-GPW-9428).....	1	6.68
	3320-GPW-9424	FM-GPW-9424		MANIFOLD, intake, engine, assembly (superseded by MANIFOLD, FM-GPW-9424-B, WO-A-1166).....	1	
01-1, 3, 10	3320-GPW-9424-B	FM-GPW-9424-B	WO-A-1166	MANIFOLD, intake, engine, assembly (supersedes MANIFOLD, FM-GPW-9424).....	1	4.871
01-11		FM-20386-S7	WO-51486	BOLT, hex-hd., S., cd-pltd., $\frac{5}{16}$ -18NC-2 x 1 (intake to exhaust manifold).....	4	
01-11	G518-7001420	FM-33800-S7	WO-52542	NUT, hex., reg., S., cd-pltd., $\frac{3}{8}$ -24NF-2.....	7	
01-5	H101-0103190	FM-88082-S	WO-349712	STUD, S., $\frac{3}{8}$ -16NC x $1\frac{1}{16}$ x $\frac{3}{8}$ -24NF-2.....	2	.01
01-5		FM-88057-S7	WO-632159	STUD, S., cd-pltd., $\frac{3}{8}$ -16NC x $1\frac{1}{16}$ x $\frac{3}{8}$ -24NF-2.....	2	.0092
01-5		FM-88042-S	WO-300143	STUD, S., $\frac{3}{8}$ -16NC x $1\frac{1}{2}$ x $\frac{3}{8}$ -24NF-2.....	3	.0167
	3320-GPW-9443	FM-GPW-9443	WO-344732	WASHER, special, S., $\frac{1}{16}$ O.D. x $\frac{1}{32}$ I.D. x $\frac{1}{8}$ to $\frac{3}{16}$ thk. at I.D.....	2	.016
01-11	H001-1519010	FM-34906-S	WO-52428	WASHER, lock, S., internal tooth, flat type, $\frac{3}{16}$ in.....	4	
01-11		FM-353055-S	WO-5138	PLUG, engine intake manifold (pipe, sq-hd., black, $\frac{1}{4}$ in.).....	2	.0142
<b>0108C—HEAT CONTROL</b>						
	3320-GPW-9462	FM-GPW-9462	WO-636438	BEARING, engine heat control valve shaft.....	1	

01-11	3320-GPW-9465	FM-GPW-9465	WO-637211	KEY, engine heat control valve lever	1	
01-11		FM-GPW-9458	WO-637210	LEVER, counterweight, engine heat control valve	1	.127
01-11		FM-355836-S7	WO-A-1701	NUT, hex., reg., S., cd-pltd., No. 10 (0.190)-24NC-2	1	
01-11		FM-355160-S2	WO-5272	SCREW, rd-hd., mach., S., No. 10 (0.190)-24NC-2 x 3/4	1	
01-11	3320-GPW-9456	FM-GPW-9456	WO-637206	SHAFT, engine heat control valve	1	.212
	3320-GPW-9467	FM-GPW-9467		SPRING, engine heat control valve (superseded by SPRING, FM-GPW-9467-A, WO-637208)	1	
01-11	3320-GPW-9467-A	FM-GPW-9467-A	WO-637208	SPRING, engine heat control valve (supersedes SPRING, FM-GPW-9467)	1	.119
01-11	3320-GPW-9463	FM-GPW-9463	WO-639743	STOP, engine heat control valve spring	1	
01-3	3320-GPW-9460	FM-GPW-9460	WO-636439	VALVE, engine heat control	1	.0782
01-11	3320-GPW-9484	FM-GPW-9484	WO-637209	WASHER, engine heat control valve spring (S., special, 1 1/2 O.D. x 0.310 I.D. x 1/8 thk. at opening)	1	.0049
<b>0109—FLYWHEEL</b>						
	3320-GPW-6375	FM-GPW-6375	WO-A-1443	FLYWHEEL, engine	1	4.89
01-6		FM-355497-S	WO-632157	BOLT, hex-hd., S., 3/8-24NF-2 x 1 1/32	4	.0125
01-6	3320-GPW-6390	FM-GPW-6390	WO-116295	BOLT, special head, S., 1/2-20NF-2 x 1 3/16 (Note 1)	2	.0769
		FM-33929-S2	WO-52804	NUT, jam, hex., S., 1/2-20NF-2 (Note 1)	2	
		FM-33800-S7	WO-52542	NUT, reg., hex., S., cd-pltd., 3/8-24NF-2	4	
		FM-34907-S7	WO-53135	WASHER, lock, S., cd-pltd., internal tooth, flat type, 3/8 in.	4	
		FM-34909-S2	WO-52330	WASHER, lock, S., internal tooth, flat type, 1/2 in. (Note 1)	2	
	3320-GPW-18289	FM-GPW-18289	WO-A-7503	FLYWHEEL, engine, group assembly	1	
				(Consists of:		
		FM-GPW-6390	WO-116295	2 BOLT, special hd., S., 1/2-20NF-2 x 1 3/16		
		FM-GPW-6375	WO-A-1443	1 FLYWHEEL		
		FM-33929-S	WO-52804	2 NUT, jam, hex., S., 1/2-20NF-2		
		FM-34909-S2	WO-52330	2 WASHER, lock, S., internal tooth, flat type, 1/2 in.)		
				NOTE: Parts numbered FM-GPW-6390, WO-116295; FM-33929-S, WO-52804; and FM-34909-S2, WO-52330, are required for straight doweling of flywheel to crankshaft. Eliminates need of special tapered reamer.		
	3320-GPW-6387	FM-GPW-6387	WO-632156	PIN, dowel, flywheel to crankshaft (tapered)	2	
<b>0109B—RING GEAR</b>						
01-4	3320-GPW-6384	FM-GPW-6384	WO-635394	GEAR, ring, engine flywheel (S., 97 teeth, 10.980 I.D. x 12.185 O.D. x 3/8 wide)	1	.863
<b>0109C—FLYWHEEL HOUSING</b>						
01-1, 5	3320-GPW-6392	FM-GPW-6392	WO-A-439	HOUSING, engine flywheel (includes starting motor bushing)	1	7.852
		FM-24409-S7	WO-6606	BOLT, hex-hd., S., cd-pltd., 3/8-24NF-2 x 1 1/8	4	
		FM-24489-S	WO-52379	BOLT, hex-hd., S., 3/8-24NF-2 x 1 1/8	2	
		FM-355597-S	WO-630101	BOLT, hex-hd., S., 3/8-24NF-2 x 2 1/8 (dowel bolt)	2	.0167
	G518-7001420	FM-33800-S7	WO-52542	NUT, reg., hex., S., cd-pltd., 3/8-24NF-2	8	
	H001-1518009	FM-34807-S2	WO-5010	WASHER, lock, S., SAE std., 3/8 in.	8	
01-4, 5		FM-GPW-7007	WO-A-5121	PLATE, engine cylinder block to flywheel housing	1	1.043

Note 1—Also available with FLYWHEEL, group assembly, FM-GPW-18289, WO-A-7503 and CRANKSHAFT, group assembly, FM-GPW-18288, WO-A-7568.

**GROUP 01—ENGINE (Cont'd)**

Figure Number	Official Stock Number	Piece Mark or Part Number		ITEM	Quant. Req. per Unit Assy.	Unit Price
		Ford No.	Willys No.			
Col. 1	Col. 2	Col. 3	Col. 4	Col. 5	Col. 6	Col. 7
<b>0110—MOUNTINGS</b>						
	3320-GPW-6043	FM-GPW-6043	WO-A-146	BRACKET, mounting, engine, rear.....	1	.212
		FM-24328-S2	WO-52189	BOLT, hex-hd., S., 3/8-16NC-2 x 5/8.....	3	
	H001-5420520	FM-24348-S	WO-6412	BOLT, hex-hd., S., 3/8-16NC-2 x 3/4 (GM-100133).....	1	
	H001-1518009	FM-34807-S2	WO-5010	WASHER, lock, S., SAE std., 3/8 in.....	4	
		FM-GPWS-6071		BRACKET, reinforcement, engine front support, L.H. (Note 1).....	1	
		FM-GPW-6069		BRACKET, reinforcement, engine front support, R.H. (Note 1).....	1	
	3320-GPW-6044	FM-GPW-6044	WO-A-5125	CABLE, engine stay, assembly.....	1	.407
	G518-7001420	FM-33800-S7	WO-52542	NUT, reg., hex., S., cd-pltd., 3/8-24NF-2.....	2	
	H001-4057595		WO-52909	NUT, hex., S., stamped, std. type, 3/8-24NF-2 (Willys only).....	1	
	H001-1518009	FM-34807-S2	WO-5010	WASHER, lock, S., SAE std., 3/8 in.....	2	
	H001-7043741	FM-34747-S7	WO-A-1680	WASHER, plain, S., cd-pltd., SAE std., 3/8 in.....	1	
	3320-GPW-6038	FM-GPW-6038	WO-A-542	INSULATOR, engine front support, assembly (superseded by INSULATOR, FM-GPW-6038-A, WO-A-7498).....	2	
01-1, 5	3320-GPW-6038-A	FM-GPW-6038-A	WO-A-7498	INSULATOR, engine front support, assembly (supersedes INSULATOR, FM-GPW-6038, WO-A-542).....	2	.277
	G085-2212144	FM-24427-S7	WO-6609	BOLT, hex-hd., S., cd-pltd., 3/16-24NF-2 x 1 1/4 (Ford only).....	4	.0042
	G085-2712158	FM-24387-S7	WO-5934	BOLT, hex-hd., S., cd-pltd., 3/16-24NF-2 x 1 (Willys only).....	4	
	G166-0314832	FM-33798-S7	WO-A-1532	NUT, reg., hex., S., cd-pltd., 3/16-24NF-2.....	4	
01-5	G085-2307356	FM-33846-S2	WO-5916	NUT, reg., hex., S., 1/2-20NF-2 (to front engine plate).....	2	
	H001-7025711	FM-34806-S7	WO-51833	WASHER, lock, S., cd-pltd., SAE std., 3/16 in.....	4	
	H001-1518011	FM-34809-S	WO-5009	WASHER, lock, S., SAE std., 1/2 in. (to front engine plate).....	2	
	3320-GPW-6040-A	FM-GPW-6040-A		INSULATOR, engine rear support (superseded by INSULATOR, FM-GPW-6040-B, WO-A-6156).....	1	
	3320-GPW-6040-B	FM-GPW-6040-B	WO-A-6156	INSULATOR, engine rear support (supersedes INSULATOR, FM-GPW-6040-A).....	1	.554
	G518-7001420	FM-33800-S7	WO-52542	NUT, reg., hex., S., cd-pltd., 3/8-24NF-2.....	4	
	H001-1518009	FM-34807-S2	WO-5010	WASHER, lock, S., SAE std., 3/8 in.....	4	
	H001-7043741	FM-34747-S7	WO-A-1680	WASHER, plain, S., cd-pltd., SAE, 3/8 in.....	2	
		FM-GPW-6098	WO-A-1051	SHIM, engine front support insulator.....	as req.	.0251