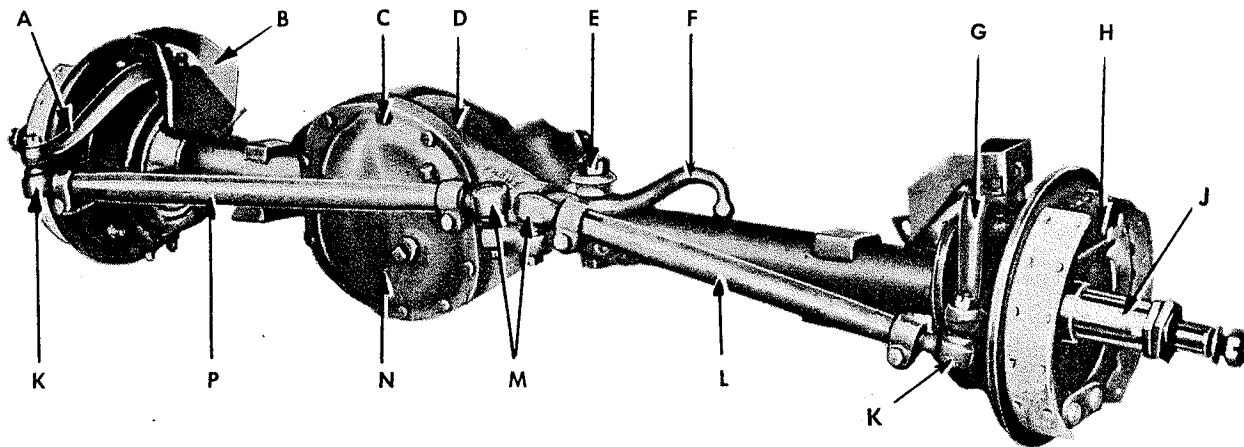


GROUP 10—FRONT AXLE

1000—FRONT AXLE ASSEMBLY

3320-GPW-3001	FM-GPW-3001	WO-A-1212	AXLE, front, assembly (Bendix joints) (SP-2058-1) (<i>Note 1</i>)	1	
		WO-A-1387	AXLE, front, assembly (Rzeppa joints) (SP-7658-2) (<i>Note 1</i>)	1	
		WO-A-1765	AXLE, front, assembly (Spicer joints) (SP-SKA-34172) (<i>Note 1</i>)	1	
		WO-A-6442	AXLE, front, assembly (Tracta joints) (<i>Note 1</i>)	1	
		WO-A-6029	AXLE, front, w/BRAKES, DRUMS and HUBS, assembly (WO-A-6029 has either Tracta or Bendix universal joints; FM-GPW-3001 has Rzeppa universal joints. Complete assemblies are interchangeable)	1	154.25
		WO-A-5498	AXLE, front, w/BRAKES, DRUMS and HUBS, assembly (Bendix joints) (<i>Note 2</i>)	1	

Note 1—These four axles are interchangeable as assemblies. *Note 2*—These three axles are interchangeable as assemblies.



Key	Part Name	Ford Part No.	Willys Part No.	Group No.	Key	Part Name	Ford Part No.	Willys Part No.	Group No.
A	ARM	FM-GP-3112	WO-A-1710	1006	H	BRAKE, assembly (L.H.)	FM-GPW-2011	WO-A-1496	1200
B	GUARD	FM-GPW-2096	WO-A-1457	1209B	J	SPINDLE, assembly	FM-GP-3105	WO-A-851	1006
C	BOLT	FM-20046-S2	WO-51523	1001	K	END, assembly	FM-GP-3292	WO-A-847	1402
D	HOUSING, w/TUBE, assembly	FM-GPW-3074	WO-A-1703	1001	L	TUBE	FM-GPW-3282	WO-A-1709	1402
E	NUT	FM-356124-S	WO-A-876	1401	M	END, assembly	FM-GP-3291	WO-A-838	1402
F	CRANK, bell	FM-GPW-3131-B	WO-A-8249	1401	N	COVER	FM-GP-4016-A	WO-A-10231	1001
G	ARM	FM-GPW-3113	WO-A-1712	1006	P	TUBE	FM-GP-3281	WO-A-1705	1402

FIGURE 10-1—FRONT AXLE ASSEMBLY AND STEERING LINKAGE

RA PD 342275

1000

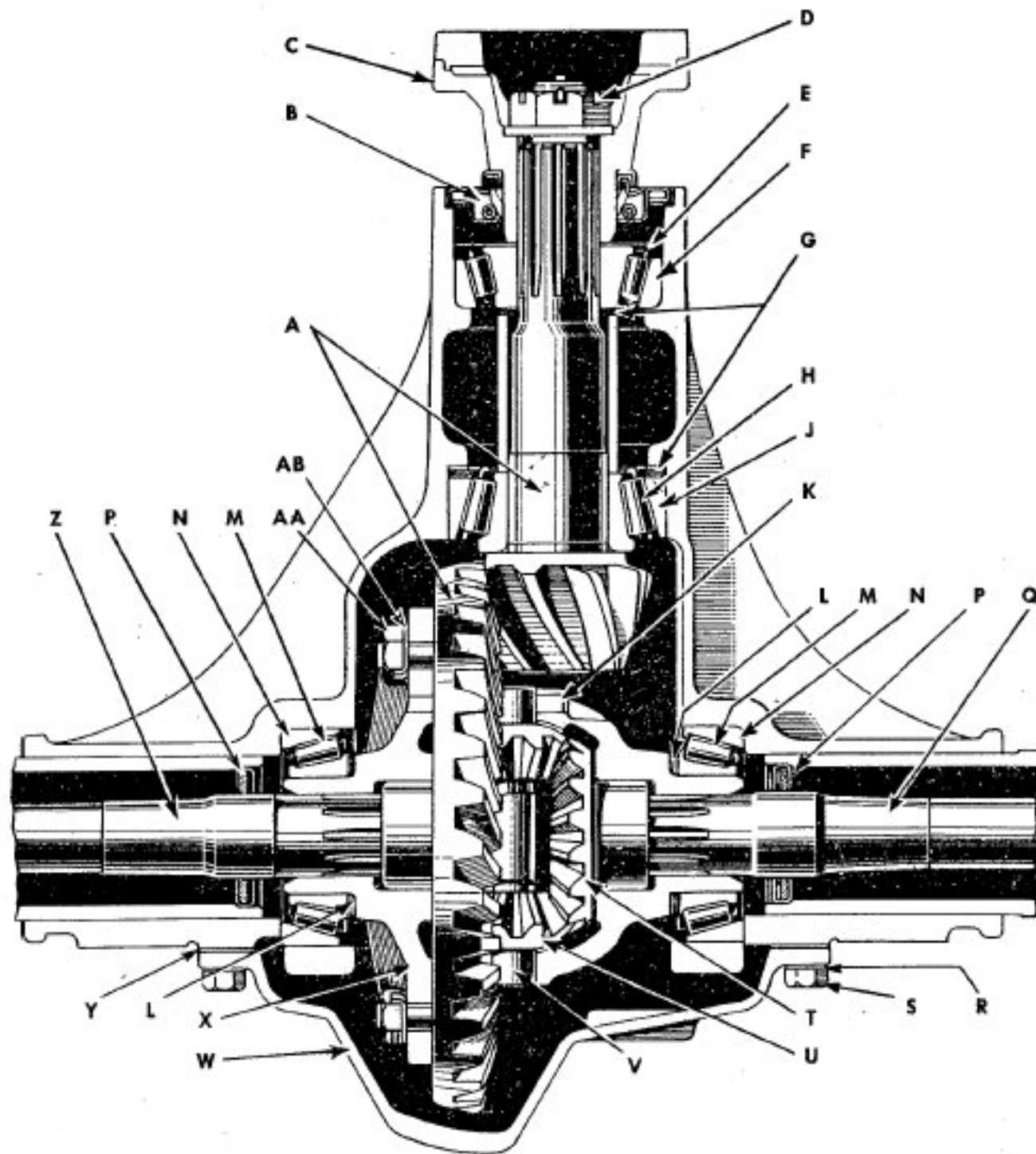
143

SNL G-503

GROUP 10—FRONT AXLE (Cont'd)

Figure Number	Official Stock Number	Piece Mark or Part Number		ITEM	Quant. Reqd. per Unit Assy.	Unit Price
		Ford No.	Willys No.			
Col. 1	Col. 2	Col. 3	Col. 4	Col. 5	Col. 6	Col. 7
				1000—FRONT AXLE ASSEMBLY (Cont'd)		
	9680-A-1544		WO-A-5499 WO-A-6470 WO-A-1544	AXLE, front, w/BRAKES, DRUMS and HUBS, assembly (Rzeppa joints) (Note 2)...	1	
				AXLE, front, w/BRAKES, DRUMS and HUBS, assembly (Tracta joints) (Note 2)...	1	
				GASKET SET, front axle (superseded by GASKET SET, FM-GPW-18365-B, WO-A-7830) (Consists of: 1 GASKET, axle housing cover 2 GASKET, steering knuckle oil seal 1 GASKET, drive pinion shaft oil seal 2 OIL SEAL, axle shaft, inner end 2 OIL SEAL, axle shaft, outer end 2 OIL SEAL, bell crank bearing 1 OIL SEAL, drive pinion shaft 4 OIL SEAL, felt, steering knuckle 2 OIL SEAL, wheel bearing 4 STRIP, pressure, steering knuckle oil seal)	1	
	3320-GPW-18365	FM-GP-4035 FM-GP-1092 FM-GP-4661 FM-GP-3034 FM-GP-3031-A FM-GPW-3167 FM-GP-7676-A FM-GP-3135 FM-GP-1177 FM-GP-3139 FM-GPW-18365	WO-A-782 WO-A-820 WO-636565 WO-A-779 WO-A-778 WO-A-858 WO-639265 WO-A-819 WO-A-864 WO-A-818 WO-A-6792	GASKET SET, front axle (superseded by GASKET SET, FM-GPW-18365-B, WO-A-7830) (Consists of: 2 BUSHING, axle shaft 1 GASKET, axle housing cover 1 GASKET, drive pinion shaft oil seal 2 GASKET, steering knuckle oil seal 2 OIL SEAL, axle shaft, inner end 2 OIL SEAL, bell crank bearing 1 OIL SEAL, drive pinion shaft 4 OIL SEAL, felt, steering knuckle 2 OIL SEAL, wheel bearing 4 STRIP, pressure, steering knuckle oil seal)	1	
	3320-CPW-18365-B	FM-GP-4035 FM-GPW-4661 FM-GP-1092 FM-GP-3034 FM-GPW-3167 FM-GP-4676-A FM-GP-3135 FM-GP-1177 FM-GP-3139 FM-GPW-18365-B	WO-A-6362 WO-A-782 WO-636565 WO-A-820 WO-A-779 WO-A-858 WO-639265 WO-A-819 WO-A-864 WO-A-818 WO-A-7830	GASKET SET, front axle (supersedes GASKET SET, WO-A-1544 and FM-GPW-18365, WO-A-6792)..... (Consists of: 1 GASKET, axle housing cover 1 GASKET, drive pinion shaft oil seal 2 GASKET, steering knuckle oil seal 2 OIL SEAL, bell crank bearing 4 OIL SEAL, felt, steering knuckle 4 STRIP, pressure, steering knuckle oil seal)	1	.521
		FM-GP-4035 FM-GP-4661 FM-GP-1092 FM-GPW-3167 FM-GP-3135 FM-GP-3139	WO-A-782 WO-636565 WO-A-820 WO-A-858 WO-A-819 WO-A-818			

Note 2—These three axles are interchangeable as assemblies.

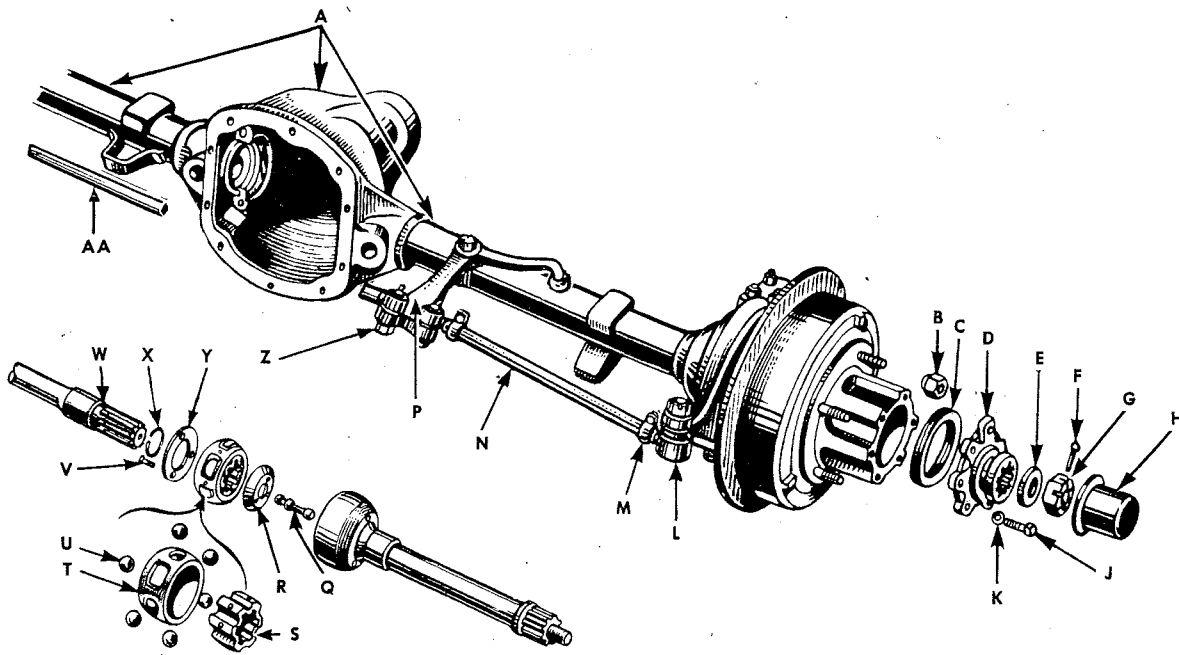


Key	Part Name	Ford Part No.	Willys Part No.	Group No.
A	GEAR SET	FM-GPW-14209	WO-A-789	1003
B	OIL SEAL	FM-GP-4676-A	WO-639265	1003
C	YOKE	FM-GP-4842	WO-A-1445	1003
D	NUT	FM-356126-S	WO-636569	1003
E	CONE and ROLLERS	FM-GP-4630	WO-52878	1003
F	CUP	FM-GP-4628	WO-52879	1003
G	SHIM SET	FM-GPW-18386	WO-A-6745	1003
H	CONE and ROLLERS	FM-86H-4621	WO-52876	1003
J	CUP	FM-86H-4616	WO-52877	1003
K	PIN	FM-GP-4241	WO-636360	1003
L	SHIM SET	FM-GPW-18388	WO-A-6744	1003
M	CONE and ROLLERS	FM-GP-4221	WO-52880	1003
N	CUP	FM-GP-4222	WO-52881	1003
P	OIL SEAL	FM-GP-3034	WO-A-779	1007
Q	SHAFT	FM-GP-3017-A	WO-A-1729	1007
R	WASHER	FM-34941-S7	WO-53029	1001
S	BOLT	FM-20046-S2	WO-51523	1001
T	GEAR	FM-GPW-4236	WO-A-794	1003
U	PINION	FM-GPW-4215	WO-A-796	1003
V	SHAFT	FM-GP-4211	WO-A-798	1003
W	COVER	FM-GP-4016-A	WO-A-10231	1001
X	CASE	FM-GP-4206	WO-A-793	1003
Y	GASKET	FM-GP-4035	WO-A-782	1001
Z	SHAFT	FM-GP-3016-A	WO-A-1727	1007
AA	SCREW	FM-355511-S	WO-A-871	1003
AB	STRAP	FM-GP-4281	WO-A-792	1003

FIGURE 10-2—DIFFERENTIAL ASSEMBLY—SECTIONAL VIEW

GROUP 10—FRONT AXLE (Cont'd)

Figure Number	Official Stock Number	Piece Mark or Part Number		ITEM	Quant. Req'd. per Unit Assy.	Unit Price
		Ford No.	Willys No.			
Col. 1	Col. 2	Col. 3	Col. 4	Col. 5	Col. 6	Col. 7
				1001—HOUSING		
10-1, 2	8080-16976	FM-GP-4015 FM-GP-4016 FM-GP-4016-A	WO-A-781 WO-A-10231	COVER, axle housing (superseded by COVER, FM-GP-4016-A, WO-A-10231).....	1	1.76
10-1, 2	H001-1013461	FM-20046-S2	WO-51523	COVER, axle housing (SP-16976) (superseded by COVER, FM-GP-4016-A, WO-A-10231)	1	
10-2		FM-34941-S7	WO-53029	COVER, axle housing (supersedes COVER, FM-GP-4015; and COVER, FM-GP-4016, WO-A-781).....	1	
10-2	8080-16409	FM-GP-4035	WO-A-782	BOLT, hex-hd., S., $\frac{5}{16}$ -18NC-2 x $\frac{3}{4}$	10	
				WASHER, lock, S., cd-pltd., external tooth, flat type $\frac{5}{16}$ in.....	10	
10-1, 3	8080-17310-X	FM-GPW-3074	WO-A-1703	GASKET, axle housing cover (SP-16409) (also in GASKET SET, FM-GPW-18365-B, WO-A-7830).....	1	.039
		FM-358048-S	WO-636577	HOUSING, front axle, w/TUBE, assembly (SP-17310-X).....	1	30.19
		FM-353051-S	WO-636538	PLUG, drain, axle housing (SP-S-780).....	1	
	8080-16979	FM-GP-4022	WO-A-870	PLUG, filler, axle housing (SP-50-39-4).....	1	
				PLUG, vent, axle housing (SP-16979).....	1	.07
				1003—DIFFERENTIAL CASE, GEARS, PINION AND BEARINGS (Items in this group are the same for front and rear axles)		
		FM-355699-S	WO-636527	BOLT, differential case bearing cap (hex-hd., S., $\frac{1}{2}$ -13NC x $2\frac{1}{4}$ (SP-A-1358-1)).....	4	.0167
		FM-34922-S	WO-636528	WASHER, lock, hv., S., internal tooth, flat type, $\frac{1}{2}$ in.....	4	
10-2	8080-16386	FM-GP-4206	WO-A-793	CASE, differential (SP-16386).....	1	
10-2	H012-6146900	FM-GP-4221	WO-52880	CONE and ROLLERS, differential case bearing (1.625 bore x 1.000) (TIM-24780)...	2	.57
10-2	H012-6160380	FM-86H-4621	WO-52876	CONE and ROLLERS, differential drive pinion inner bearing (1.375 bore x 1.125) (TIM-31593).....	1	.641
10-2	H012-6122200	FM-GP-4630	WO-52878	CONE and ROLLERS, differential drive pinion outer bearing (1.125 bore x 0.875) (TIM-02872).....	1	.505
10-2	H012-6220960	FM-GP-4222	WO-52881	CUP, differential case bearing (3.000 O.D. x 0.8125 wide) (TIM-24721).....	2	.31
10-2	H012-6224700	FM-86H-4616	WO-52877	CUP, differential drive pinion inner bearing (3.00 O.D. x 0.9375 wide) (TIM-31520)...	1	.342
10-2	H012-6209750	FM-GP-4628	WO-52879	CUP, differential drive pinion outer bearing (2.875 O.D. x 0.6875 wide) (TIM-02820)...	1	.293
	8080-16969X	FM-GPW-4207		DIFFERENTIAL, assembly (superseded by DIFFERENTIAL, assembly, FM-GPW-4212, WO-A-788).....	1	
	8080-16968X	FM-GPW-4212	WO-A-788	DIFFERENTIAL, assembly (SP-16968-X) (includes CASE, GEARS and PINIONS) (supersedes DIFFERENTIAL, assembly, FM-GPW-4207).....	1	17.43
	8080-S-171	FM-GP-4661	WO-636565	GASKET, differential drive pinion shaft oil seal (SP-S-171) (also in GASKET SET, FM-GPW-18365-B, WO-A-7830).....	1	
10-2	8080-16385	FM-GPW-4236	WO-A-794	GEAR, differential, side (2.758 O.D. x $1\frac{3}{8}$ in. wide, 16 teeth) (SP-16385) (also in KIT, FM-GPW-18389, WO-A-6816).....	1	



Key	Part Name	Ford Part No.	Willys Part No.	Group No.
A	HOUSING	FM-GPW-3074	WO-A-1703	1001
B	NUT	FM-GP-1013	WO-A-475	1007
C	SHIM SET	FM-GPW-18336	WO-A-6881	1007
D	FLANGE	FM-GP-3204	WO-A-868	1007
E	WASHER	FM-356504-S	WO-636570	1007
F	PIN	FM-72089-S	WO-5134	1007
G	NUT	FM-356126-S	WO-636569	1007
H	CAP	FM-GP-1139	WO-A-869	1302
J	BOLT	FM-GP-1110	WO-A-760	1007
K	WASHER	FM-34807-S2	WO-5010	1007
L	END, assembly	FM-GP-3292	WO-A-847	1402
M	CLAMP	FM-51-3287	WO-A-1706	1402
N	TUBE	FM-GPW-3282	WO-A-1709	1402
P	CRANK, bell	FM-GPW-3131-B	WO-A-8249	1401 ✓
Q	PIN	FM-GP-3218	WO-A-1723	1007
R	PILOT	FM-GP-3219	WO-A-1722	1007
S	RACE	FM-GP-3221	WO-A-1720	1007
T	CAGE	FM-GP-3215-A	WO-A-1719	1007
U	BALL	FM-358074-S	WO-A-1721	1007
V	SCREW	FM-24622-S	WO-A-1725	1007
W	SHAFT	FM-GP-3017-A	WO-A-1729	1007
X	SNAP RING	FM-GP-3216	WO-A-1726	1007
Y	RETAINER	FM-GP-3217	WO-A-1724	1007
Z	END, assembly	FM-GP-3291	WO-A-838	1402
AA	TUBE	FM-GP-3281	WO-A-1705	1402

RA PD 342281

FIGURE 10-3—FRONT AXLE HOUSING, SHAFT AND RELATED PARTS

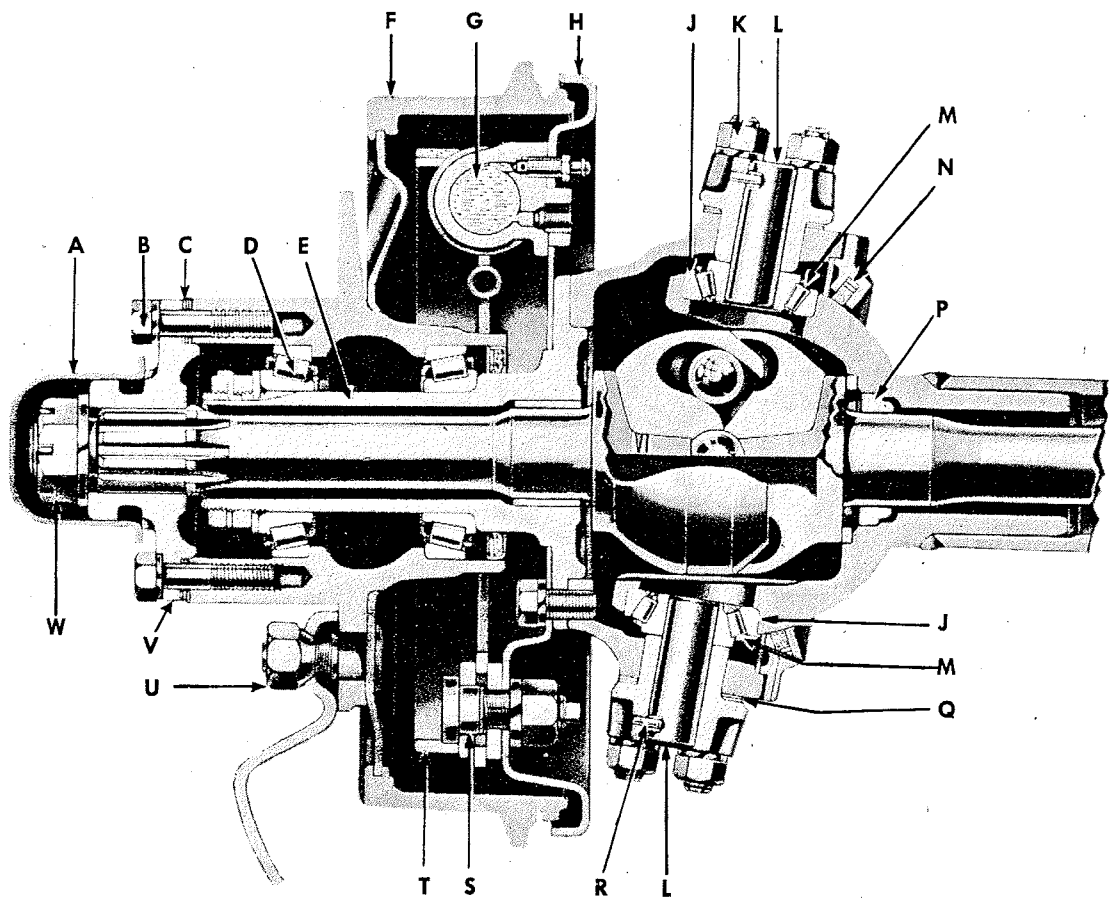
GROUP 10—FRONT AXLE (Cont'd)

Figure Number	Official Stock Number	Piece Mark or Part Number		ITEM	Quant. Req'd. per Unit Assy.	Unit Price
		Ford No.	Willys No.			
Col. 1	Col. 2	Col. 3	Col. 4	Col. 5	Col. 6	Col. 7
1003—DIFFERENTIAL CASE, GEARS, PINIONS AND BEARINGS (Cont'd) (Items in this group are the same for front and rear axles)						
10-2	8080-16412X	FM-GPW-4209	WO-A-789	GEAR, drive, differential, w/PINION (SP-16412-X) (matched set). (also in KIT, FM-GPW-18384, WO-A-6816).....	1	
	3320-GPW-18389	FM-GPW-18389	WO-A-6743	KIT, repair, differential case gears..... (Consists of: 2 GEAR, side 2 PINION, differential 1 SHAFT, pinion 2 WASHER, thrust, pinion 2 WASHER, thrust, side gear)	1	3.93
	8080-16385	FM-GPW-4236 FM-GPW-4215 FM-GP-4211 FM-GP-4230 FM-GP-4228	WO-A-794 WO-A-796 WO-A-798 WO-A-797 WO-A-795			
	3320-GPW-18384	FM-GPW-18384	WO-A-6816	KIT, repair, differential drive gear and pinion..... (Consists of: 1 GEAR, drive, w/PINION 1 NUT, hex., slotted, S, 3/4-16NF-3 8 SCREW, drive gear 4 STRAP, lock)	1	10.25
	H013-0500071	FM-GPW-4209 FM-356126-S FM-355511-S FM-GP-4281 FM-GP-4676	WO-A-789 WO-636569 WO-A-871 WO-A-792 WO-636569	OIL SEAL, differential drive pinion bearing (superseded by OIL SEAL, FM-GP-4676-A, WO-639265).....	1	.228
10-2	H013-0500071	FM-GP-4676-A	WO-639265	OIL SEAL, differential drive pinion bearing (leather) (SP-14223) (supersedes OIL SEAL, FM-GP-4676, WO-636569).....	1	
10-2	8080-13449	FM-GP-4241	WO-636360	PIN, lock, differential pinion shaft (SP-13449).....	1	.0355
10-2	8080-15926	FM-GPW-4215	WO-A-796	PINION, differential (1.140 O.D., 10 teeth) (SP-15926) (also in KIT, FM-GPW-18389, WO-A-6816).....	2	
10-2	8080-6-73-414	FM-355511-S	WO-A-871	SCREW, differential drive gear (SP-6-73-414) (also in KIT, FM-GPW-18384, WO-A-6816).....	8	.0125
10-2	8080-16075	FM-GP-4211	WO-A-798	SHAFT, differential pinion (SP-16075) (also in KIT, FM-GPW-18389, WO-A-6816).....	1	
	8080-15099	FM-GP-4666	WO-636568	SHIELD, dust, universal joint end yoke, differential drive pinion shaft (SP-15099).....	1	
	8080-S-58	FM-GP-4229-A	WO-A-784	SHIM, adjusting, differential case bearing (0.003 thk.) (SP-S-58) (also in SHIM SET, FM-GPW-18388, WO-A-6744).....	as req.	
	8080-S-59	FM-GP-4229-B	WO-A-785	SHIM, adjusting, differential case bearing (0.005 thk.) (SP-S-59) (also in SHIM SET, FM-GPW-18388, WO-A-6744).....	as req.	
	8080-S-74	FM-GP-4229-C	WO-A-786	SHIM, adjusting, differential case bearing (0.010 thk.) (SP-S-74) (also in SHIM SET, FM-GPW-18388, WO-A-6744).....	as req.	
	8080-S-75	FM-GP-4229-D	WO-A-787	SHIM, adjusting, differential case bearing (0.030 thk.) (SP-S-75) (also in SHIM SET, FM-GPW-18388, WO-A-6744).....	as req.	

10-2	3320-GPW-18388	FM-GP-4229-E FM-GPW-18388	WO-A-6744	SHIM, adjusting, differential bearing (0.015 thk.)	as req.	
				SHIM SET, differential case bearing	1	.148
				(Consists of:		
		FM-GP-4229-A	WO-A-784	2 SHIM, 0.003 thk.		
		FM-GP-4229-B	WO-A-785	2 SHIM, 0.005 thk.		
		FM-GP-4229-C	WO-A-786	3 SHIM, 0.010 thk.		
		FM-GP-4229-D	WO-A-787	3 SHIM, 0.030 thk.)		
	8080-S-112	FM-GP-4660-A	WO-A-800	SHIM, adjusting, differential drive pinion, large (0.003 thk.) (SP-112) (also in SHIM SET, FM-GPW-18386, WO-A-6745)	as req.	
	8080-S-113	FM-GP-4660-B	WO-A-801	SHIM, adjusting, differential drive pinion, large (0.005 thk.) (SP-113) (also in SHIM SET, FM-GPW-18386, WO-A-6745)	as req.	
	8080-S-114	FM-GP-4660-C	WO-A-802	SHIM, adjusting, differential drive pinion, large (0.010 thk.) (SP-S-114) (also in SHIM SET, FM-GPW-18386, WO-A-6745)	as req.	
	8080-S-638	FM-GP-4659-A	WO-A-803	SHIM, adjusting, differential drive pinion bearing, small (0.003 thk.) (SP-S-638) (also in SHIM SET, FM-GPW-18386, WO-A-6745)	as req.	
	8080-S-638-1	FM-GP-4659-B	WO-A-804	SHIM, adjusting, differential drive pinion bearing, small (0.005 thk.) (SP-S-638-1) (also in SHIM SET, FM-GPW-18386, WO-A-6745)	as req.	
	8080-S-638-2	FM-GP-4659-C	WO-A-805	SHIM, adjusting, differential drive pinion bearing, small (0.010 thk.) (SP-S-638-2) (also in SHIM SET, FM-GPW-18386, WO-A-6745)	as req.	
	8080-S-638-3	FM-GP-4659-D	WO-A-806	SHIM, adjusting, differential drive pinion bearing, small (0.030 thk.) (SP-S-638-3) (also in SHIM SET, FM-GPW-18386, WO-A-6745)	as req.	
10-2	3320-GPW-18386	FM-GPW-18386	WO-A-6745	SHIM SET, differential drive pinion bearing	1	.358
				(Consists of:		
		FM-GP-4660-A	WO-A-800	4 SHIM, large, 0.003 thk.		
		FM-GP-4660-B	WO-A-801	4 SHIM, large, 0.005 thk.		
		FM-GP-4600-C	WO-A-802	4 SHIM, large, 0.010 thk.		
		FM-GP-4659-A	WO-A-803	4 SHIM, small, 0.003 thk.		
		FM-GP-4659-B	WO-A-804	4 SHIM, small, 0.005 thk.		
		FM-GP-4659-C	WO-A-805	4 SHIM, small, 0.010 thk.		
		FM-GP-4659-D	WO-A-806	4 SHIM, small, 0.030 thk.)		
	8080-13575	FM-GP-4619	WO-636566	SLINGER, oil, differential drive pinion bearing (SP-13575)	1	.0191
	8080-15367	FM-GP-4668	WO-A-799	SPACER, differential drive pinion bearing (SP-15367)	1	.212
10-2		FM-GP-4281	WO-A-792	STRAP, lock, differential drive gear screw (SP-16866) (also in KIT, FM-GPW-18384, WO-A-6816)	4	
	8080-16322-2	FM-GP-4230	WO-A-797	WASHER, thrust, differential pinion (SP-16322-2) (also in KIT, FM-GPW-18389, WO-A-6816)	2	
	8080-16323-2	FM-GP-4228	WO-A-795	WASHER, thrust, differential side gear (SP-16323-2) (also in KIT, FM-GPW-18389, WO-A-6816)	2	
10-2	8080-K2-4-108-X	FM-GP-4842	WO-A-1445	YOKE, end, universal joint, differential drive pinion shaft, w/SHIELD, assembly (SP-K2-4-108-X)	1	
10-2	H001-4217800	FM-356126-S	WO-636569	NUT, hex., slotted, S., $\frac{3}{4}$ -16NF-3 (SP-S-1135) (also in KIT, FM-GPW-18384, WO-A-6816)	1	.0167
	H001-0811304	FM-357202-S FM-356504	WO-636571 WO-636570	PIN, cotter, split, S., $\frac{1}{8}$ x $1\frac{1}{2}$	1	
				WASHER, flat, S., $\frac{3}{4}$ I.D. x $1\frac{1}{2}$ O.D. x $\frac{1}{8}$ thk. (SP-S-1066)	1	.0217

GROUP 10—FRONT AXLE (Cont'd)

Figure Number	Official Stock Number	Piece Mark or Part Number		ITEM	Quant. Reqd. per Unit Assy.	Unit Price
		Ford No.	Willys No.			
Col. 1	Col. 2	Col. 3	Col. 4	Col. 5	Col. 6	Col. 7
1006—STEERING KNUCKLE, FLANGE AND ARM						
10-1	8080-17302-X	FM-GPW-3113	WO-A-1712	ARM, steering knuckle, upper left (SP-17302-X) (includes king PIN and lock PIN).....	1	3.08
10-1, 5	8080-17301-X	FM-GPW-3112	WO-A-1710	ARM, steering knuckle, upper right (SP-17301-X) (includes king PIN and lock PIN)....	1	3.08
10-5	H001-4171601	FM-33786-S2	WO-636575	NUT, hex., S., $\frac{3}{8}$ -24NF-2.....	8	
		FM-357703-S	WO-A-1714	STUD, S., $\frac{3}{8}$ -24NF-3 x 2 (SP-S-962).....	4	
		FM-GPW-3325	WO-A-5504	STUD, S., $\frac{3}{8}$ -24NF-3 x 2.....	4	
	H001-1518009	FM-34807-S2	WO-5010	WASHER, lock, S., SAE std., $\frac{3}{8}$ in.....	8	
	8080-6-73-1117	FM-355526-S	WO-A-821	BOLT, hex-hd., S., $\frac{3}{8}$ -24NF-3 x $1\frac{1}{16}$ (steering knuckle stop) (SP-6-73-1117).....	2	.0125
		FM-33911-S2	WO-A-873	NUT, lock, hex., S., $\frac{3}{8}$ -24NF-3 (SP-6-75-101).....	2	
	8080-17003	FM-GP-3205		BUSHING, front wheel spindle, inside (superseded by BUSHING, FM-GP-3205-A, WO-A-853).....	2	
10-4, 5	8080-17003	FM-GP-3205-A	WO-A-853	BUSHING, front wheel spindle, inside (bz., 1.251 I.D. x 1.376 O.D. x $\frac{7}{8}$ wide) (WP-17003) supersedes BUSHING, FM-GP-3205).....	8	
10-5	8080-17048-X	FM-GP-3140	WO-A-828	CAP, king pin bearing, lower, assembly (SP-17048-X) (includes king PIN and lock PIN)	2	1.271
10-4	H001-4171601	FM-33786-S2	WO-636575	NUT, hex., S., $\frac{3}{8}$ -24NF-2.....	8	
10-5		FM-357703-S	WO-A-1714	STUD, S., $\frac{3}{8}$ -24NF-3 x 2.....	8	
	H001-1518009	FM-34807-S2	WO-5010	WASHER, lock, S., SAE std., $\frac{3}{8}$ in.....	8	
10-4, 5	H012-6133330	FM-GP-3161	WO-52940	CONE and ROLLERS, king pin bearing (0.625 bore x $\frac{9}{16}$ wide) (TIM-11590).....	4	.375
10-4, 5	H012-6216140	FM-GP-3162	WO-52941	CUP, king pin bearing (1.687 O.D. x $\frac{3}{8}$ wide) (TIM-11520).....	4	.179
	8080-17041	FM-GP-1092	WO-A-820	GASKET, steering knuckle oil seal (SP-17041) (also in GASKET SET, FM-GPW-18365-B, WO-A-7830).....	2	.0236
10-5	8080-17222	FM-GP-3149-A	WO-A-812	KNUCKLE, steering, left (SP-17222).....	1	3.03
10-5	8080-17221	FM-GP-3148-A	WO-A-811	KNUCKLE, steering, right (SP-17221).....	1	3.03
10-5		FM-GP-3135	WO-A-819	OIL SEAL, felt, steering knuckle (half) (SP-17019) (also in GASKET SET, FM-GPW-18365-B, WO-A-7830).....	4	
10-4, 5	8080-17135-X	FM-GP-1088	WO-A-813	OIL SEAL, steering knuckle, assembly (half) (SP-17135-X).....	4	.326
10-4	8080-16991	FM-GP-3115	WO-A-824	PIN, king (SP-16991).....	4	.155
10-4	8080-S-957	FM-GP-3122	WO-A-825	PIN, lock, king pin (S., $\frac{1}{8}$ O.D. x $\frac{3}{8}$ lgh.) (SP-S-957).....	4	.0062
10-5		FM-353064-S	WO-5140	PLUG, filler, steering arm knuckle (SP-50-39-2).....	2	.0125
	8080-17133-X	FM-GP-1089	WO-A-814	RETAINER, steering knuckle oil seal (SP-17133-X).....	4	
10-5		FM-24327-S7	WO-52132	BOLT, hex-hd., S., cd-pltd., $\frac{5}{16}$ -24NF-2 x $\frac{5}{8}$	16	.0026
10-5		FM-34941-S7	WO-53029	WASHER, lock, S., cd-pltd., external tooth, flat type, $\frac{3}{16}$ in.....	16	.0019
	8080-16992-1	FM-GP-3117-A	WO-A-830	SHIM, adjusting, king pin bearing (0.003 thk.) (SP-16992-1) (also in SHIM SET, FM-GPW-18338, WO-A-6882).....	as req.	
	8080-16992-2	FM-GP-3117-B	WO-A-831	SHIM, adjusting, king pin bearing (0.005 thk.) (SP-16992-2) (also in SHIM SET, FM-GPW-18338, WO-A-6882).....	as req.	



Key	Part Name	Ford Part No.	Willys Part No.	Group No.
A	CAP.....	FM-GPW-1139.....	WO-A-869.....	1302
B	BOLT.....	FM-GP-1110.....	WO-A-760.....	1007
C	SHIM.....	FM-GP-3208-A.....	WO-A-862.....	1007
D	CONE and ROLLERS.....	FM-GP-1201.....	WO-52942.....	1301A
E	SPINDLE.....	FM-GP-3105.....	WO-A-851.....	1006
F	HUB and DRUM (L.H.).....	FM-GP-1103.....	WO-A-1689.....	1302
	HUB and DRUM (R.H.).....	FM-GP-1102.....	WO-A-1690.....	1302
G	CYLINDER, assembly.....	FM-GPW-2061.....	WO-A-1484.....	1207
H	PLATE.....	FM-GP-2013.....	WO-A-8898.....	1203
J	CUP.....	FM-GP-3162.....	WO-52941.....	1006
K	NUT.....	FM-33786-S2.....	WO-636575.....	1006
L	PIN.....	FM-GP-3115.....	WO-A-824.....	1006
M	CONE and ROLLERS.....	FM-GP-3161.....	WO-52940.....	1006
N	OIL SEAL.....	FM-GP-1088.....	WO-A-813.....	1006
P	BUSHING.....	FM-GP-3205-A.....	WO-A-853.....	1006
Q	SHIM.....	FM-GPW-18338.....	WO-A-6882.....	1006
R	PIN.....	FM-GP-3122.....	WO-A-825.....	1006
S	PIN.....	FM-91A-2027.....	WO-637889.....	1203
T	SHOE, assembly.....	FM-GP-2018.....	WO-116549.....	1202
U	NUT (L.H. thd.).....	FM-GP-1013.....	WO-A-475.....	1302A
	NUT (R.H. thd.).....	FM-GP-1012.....	WO-A-476.....	1302A
V	FLANGE.....	FM-GP-3204.....	WO-A-868.....	1007
W	NUT.....	FM-356126-S.....	WO-636569.....	1007

RA PD 342271

FIGURE 10-4—FRONT AXLE STEERING KNUCKLE, UNIVERSAL JOINT AND RELATED PARTS—SECTIONAL VIEW

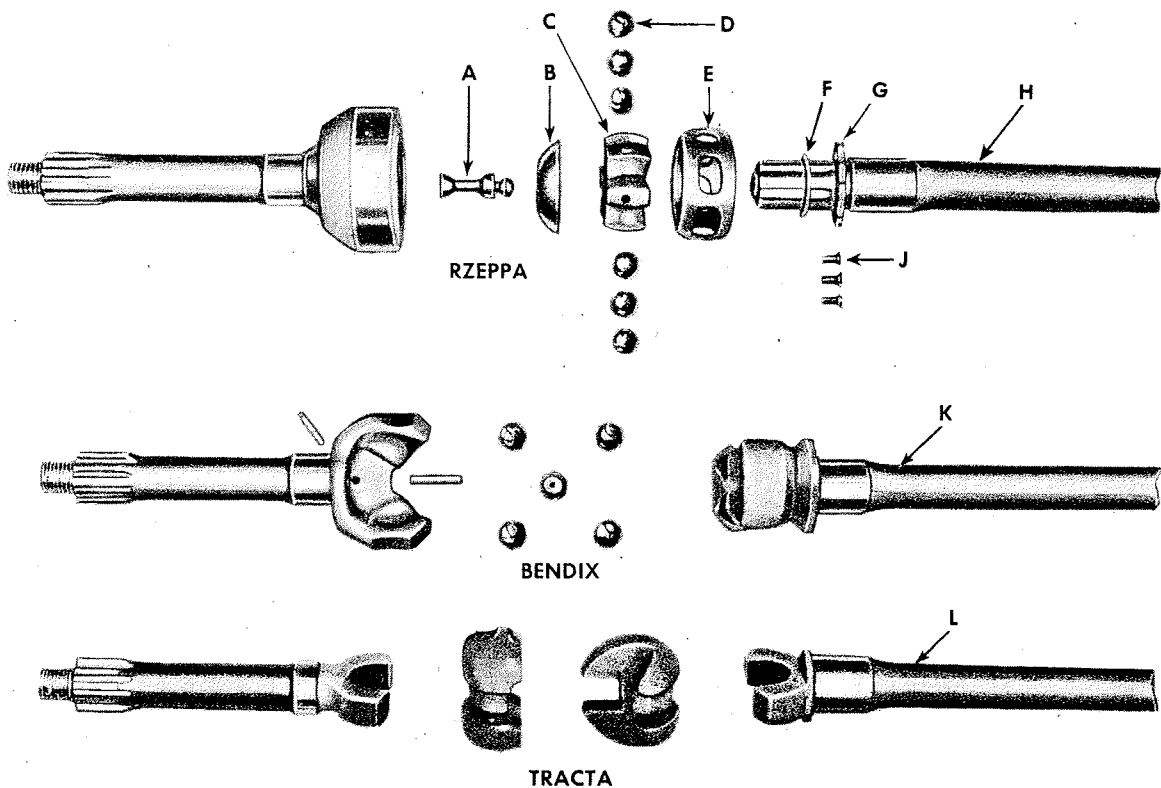
Key	Part Name	Ford Part No.	Willys Part No.	Group No.	Key	Part Name	Ford Part No.	Willys Part No.	Group No.
A	NUT	FM-GP-4252	WO-A-866	1301A	T	PIN	FM-72034-S	WO-A-1642	1402
B	WASHER	FM-GP-1124	WO-A-867	1301A	U	BUSHING	Willys only	WO-A-6362	1007
C	WASHER	FM-GP-1218	WO-A-865	1301A	V	WASHER	FM-GP-3374	WO-A-780	1007
D	CONE and ROLLERS	FM-GP-1201	WO-52942	1301A	W	CUP	FM-GP-3162	WO-52941	1006
E	CUP	FM-GP-1202	WO-52943	1301A	X	CONE and ROLLERS	FM-GP-3161	WO-52940	1006
F	OIL SEAL	FM-GP-1177	WO-A-864	1301B	Y	END, assembly	FM-GP-3292	WO-A-847	1402
G	BOLT	FM-355552-S	WO-5140	1006	Z	NUT	FM-33800-S7	WO-52542	1402
H	WASHER	FM-34807-S2	WO-5010	1006	AA	CLAMP	FM-51-3287	WO-A-1706	1402
J	SPINDLE	FM-GP-3105	WO-A-851	1006	AB	TUBE	FM-GPW-3281	WO-A-1705	1402
K	BUSHING	FM-GP-3205-A	WO-A-853	1006	AC	WASHER	FM-34941-S7	WO-53029	1006
L	PLUG	FM-353064-S	WO-5140	1006	AD	BOLT	FM-24327-S7	WO-52132	1006
M	KNUCKLE	FM-GP-3148-A	WO-A-811	1006	AE	OIL SEAL	FM-GP-1088	WO-A-813	1006
N	STUD	FM-357703-S	WO-A-1714	1006	AF	BOLT	FM-24916-S2	WO-A-1707	1402
P	SHIM SET	FM-GPW-18338	WO-A-6882	1006	AG	STRIP	FM-GP-3139	WO-A-818	1006
Q	ARM	FM-GPW-3112	WO-A-1710	1006	AH	OIL SEAL	FM-GP-3135	WO-A-819	1006
R	NUT	FM-33786-S2	WO-636575	1006	AJ	CAP	FM-GP-3140	WO-A-828	1006
S	NUT	FM-351059-S7	WO-10558	1402					

RA PD 342280A

FIGURE 10-5A—LEGEND FOR 10-5—FRONT AXLE STEERING KNUCKLE AND RELATED PARTS—EXPLODED VIEW

GROUP 10—FRONT AXLE (Cont'd)

Figure Number	Official Stock Number	Piece Mark or Part Number		ITEM	Quant. Req'd. per Unit Assy.	Unit Price
		Ford No.	Willys No.			
Col. 1	Col. 2	Col. 3	Col. 4	Col. 5	Col. 6	Col. 7
1006—STEERING KNUCKLE, FLANGE AND ARM (Cont'd)						
	8080-16992-3	FM-GP-3117-C	WO-A-832	SHIM, adjusting, king pin bearing (0.010 thk.) (SP-16992-3) (also in SHIM SET, FM-GPW-18338, WO-A-6882)	as req.	
	8080-16992-4	FM-GPW-3117-D	WO-A-833	SHIM, adjusting, king pin bearing (0.030 thk.) (SP-16992-4) (also in SHIM SET, FM-GPW-18338, WO-A-6882)	as req.	
10-4, 5	3320-GPW-18338	FM-GPW-18338	WO-A-6882	SHIM SET, adjusting, king pin bearing	1	.228
				(Consists of:		
		FM-GP-3117-A	WO-A-830	4 SHIM, 0.003 thk.		
		FM-GP-3117-B	WO-A-831	4 SHIM, 0.005 thk.		
		FM-GP-3117-C	WO-A-832	8 SHIM, 0.010 thk.		
		FM-GP-3117-D	WO-A-833	6 SHIM, 0.030 thk.)		
10-1, 4, 5	8080-17202-X	FM-GP-3105	WO-A-851	SPINDLE, front wheel, w/BUSHING, assembly (SP-17202-X)	2	3.763
10-5		FM-35552-S	WO-A-877	BOLT, hex-hd., S., 3/8-24NF-2 x 3/4	12	.0167
10-5	H001-1518009	FM-34807-S2	WO-5010	WASHER, lock, S., SAE std., 3/8 in.	12	
10-5	8080-16983	FM-GP-3139	WO-A-818	STRIP, pressure, steering knuckle oil seal (rubber) (SP-16983) (also in GASKET SET, FM-GPW-18365-B, WO-A-7830)	4	
1007—AXLE SHAFTS AND UNIVERSAL JOINTS						
10-3, 6		FM-358074-S	WO-A-1721	BALL, universal joint (S., 1 1/16) (for Rzeppa joint) (also in KIT, FM-GPW-18391, WO-A-7111)	12	
10-5			WO-A-6362	BUSHING, front axle shaft, outer (SP-17361) (NP-38493) (required when replacing Bendix or Rzeppa joint with Tracta)	2	
10-3, 6		FM-GP-3215-A	WO-A-1719	CAGE, front axle universal joint (SP-17230) (for Rzeppa joint) (also in KIT, FM-GPW-18391, WO-A-7111)	2	
10-3, 4		FM-GP-3204	WO-A-868	FLANGE, drive, front axle shaft (SP-17153)	2	1.385
10-3, 4	8080-6-13-124	FM-GP-1110	WO-A-760	BOLT, hex-hd., S., 3/8-16NC-2 x 1 1/2 (SP-G-13-124)	12	.0155
10-3, 4	H001-4217800	FM-356126-S	WO-636569	NUT, hex., slotted, S., 3/4-16NF-3 (SP-S-1135)	2	.0167
10-3	H001-0811055	FM-72089-S	WO-5134	PIN, cotter, split S., 1/8 x 1 3/4	2	
10-3	H001-1518009	FM-34807-S2	WO-5010	WASHER, lock, S., SAE std., 3/8 in.	12	
10-3		FM-356504-S	WO-636570	WASHER, plain, S., 3/4 in. (SP-1056)	2	.0217
			WO-A-6361	JOINT, universal, axle shaft, assembly (SP-17356-X)	2	
			WO-A-6471	KIT, repair, axle shaft and universal joint, left (Tracta joint)	1	
			WO-A-6472	KIT, repair, axle shaft and universal joint, right (Tracta joint)	1	



Key	Part Name	Ford Part No.	Willys Part No.	Group No.
A	PIN.....	FM-GP-3218.....	WO-A-1723.....	1007
B	PILOT.....	FM-GP-3219.....	WO-A-1722.....	1007
C	RACE.....	FM-GP-3221.....	WO-A-1720.....	1007
D	BALL.....	FM-358074-S.....	WO-A-1712.....	1007
E	CAGE.....	FM-GP-3215-A.....	WO-A-1719.....	1007
F	SNAP RING.....	FM-GP-3216.....	WO-A-1726.....	1007
G	RETAINER.....	FM-GP-3217.....	WO-A-1724.....	1007
H	SHAFT.....	FM-GP-3016-A.....	WO-A-1727.....	1047
J	SCREW.....	FM-24622-S2.....	WO-A-1725.....	1007
K	SHAFT, w/JOINT, assembly.....		WO-A-8837.....	1007
L	SHAFT, w/JOINT, assembly.....		WO-A-6030.....	1007

RA PD 342273

FIGURE 10-6—FRONT AXLE UNIVERSAL JOINTS

GROUP 10—FRONT AXLE (Cont'd)

SNL G-503

1007

Figure Number	Official Stock Number	Piece Mark or Part Number		ITEM	Quant. Reqd. per Unit Assy.	Unit Price
		Ford No.	Willys No.			
Col. 1	Col. 2	Col. 3	Col. 4	Col. 5	Col. 6	Col. 7
				1007—AXLE SHAFTS AND UNIVERSAL JOINTS (Cont'd)		
	3320-GPW-18391	FM-GPW-18391	WO-A-7111	KIT, repair, front axle universal joint (for Rzeppa joint)	1	9.37
				(Consists of:		
		FM-358074-S	WO-A-1712	12 BALL, universal joint		
		FM-GP-3215-A	WO-A-1719	2 CAGE, universal joint ball		
	8080-17233	FM-GP-3219	WO-A-1722	2 PILOT, universal joint		
	8080-17224	FM-GP-3218	WO-A-1723	2 PIN, universal joint pilot		
	8080-17231	FM-GP-3221	WO-A-1720	2 RACE, universal joint ball, inner		
	8080-17216	FM-GP-3217	WO-A-1724	2 RETAINER, axle shaft, universal joint		
		FM-GP-3216	WO-A-1726	2 SNAP RING, axle shaft retainer		.0016
		FM-24622-S	WO-A-1725	6 SCREW, axle shaft retainer		
10-2	H013-0500030	FM-GP-3034	WO-A-779	OIL SEAL, axle shaft, inner end (SP-17036)	2	.0938
	H013-0500034	FM-GP-3031-A	WO-A-778	OIL SEAL, front axle shaft, outer end (SP-17153) (use with Bendix or Rzeppa joints)	2	.0943
10-3, 6		FM-GP-3219	WO-A-1722	PILOT, front axle universal joint (SP-17233) (for Rzeppa joint) (also in KIT, FM-GPW-18391, WO-A-7111)	2	.375
10-3, 6		FM-GP-3218	WO-A-1723	PIN, front axle universal joint pilot (SP-17224) (for Rzeppa joint) (also in KIT, FM-GPW-18391, WO-A-7111)	2	.156
10-3, 6		FM-GP-3221	WO-A-1720	RACE, front axle universal joint, inner (SP-17231) (for Rzeppa joint) (also in KIT, FM-GPW-18391, WO-A-7111)	2	
10-3, 6		FM-GP-3217	WO-A-1724	RETAINER, axle shaft, front axle universal joint (SP-17216) (for Rzeppa joint) (also in KIT, FM-GPW-18391, WO-A-7111)	2	
10-3, 6		FM-24622-S2	WO-A-1725	SCREW, fl.-hd., S., No. 8 (0.164)-32NC-2 x 1 1/32 (SP-17217) (for Rzeppa joint) (also in KIT, FM-GPW-18391, WO-A-7111)	6	
10-2, 3	8080-17122-4	FM-GP-3017-A	WO-A-1729	SHAFT, front axle, inner, left (SP-17122-4) (for Rzeppa joint)	1	2.981
			WO-A-6383	SHAFT, front axle, inner, left (SP-N360-2) (NP-38491)	1	
10-2, 6	8080-17122-3	FM-GP-3016-A	WO-A-1727	SHAFT, front axle, inner, right (SP-17122-3) (for Rzeppa joint)	1	2.883
			WO-A-6384	SHAFT, front axle, inner, right (SP-17360-1) (NP-38492)	1	
			WO-A-6382	SHAFT, front axle, outer (SP-17359) (NP-38373)	2	
			WO-A-1718	SHAFT, front axle, outer (SP-17229) (for Rzeppa joint)	1	
	8080-17121X	FM-GP-3200		SHAFT, front axle, outer, w/universal JOINT, assembly (has Rzeppa universal joint) (superseded by SHAFT, FM-GP-3200-A, WO-A-1716)	1	
	8080-17121X	FM-GP-3200-A	WO-A-1716	SHAFT, front axle, outer, w/universal JOINT, assembly (SP-17121-X) (has Rzeppa universal joint) (supersedes SHAFT, FM-GP-3200)	1	13.37
10-6	8080-17128-4X	FM-GPW-3207-A	WO-A-6030	SHAFT, front axle, left, w/universal JOINT, assembly (WO-A-6030 has Bendix or Tracta universal joint. FM-GPW-3207-A has Rzeppa universal joint. Complete assemblies are interchangeable)	1	16.52
			WO-A-810	SHAFT, front axle, left, w/universal JOINT, assembly (SP-17128-2X) (Bendix joint)	1	

156

	3320-GPW-3227	FM-GPW-3227	WO-A-8836	SHAFT, front axle, left, w/universal JOINT and NUT, assembly (WO-A-8836 has Bendix or Tracta universal joint. FM-GPW-3227 has Rzeppa universal joint. Complete assemblies are interchangeable).....	1	
	8080-17128-3X	FM-GPW-3206-A	WO-A-6031	SHAFT, front axle, right, w/universal JOINT, assembly (WO-A-6031 has Bendix or Tracta universal joint. FM-GPW-3206-A has Rzeppa universal joint. Complete assemblies are interchangeable).....	1	16.42
10-6	3320-GPW-3226	FM-GPW-3226	WO-A-809 WO-A-8837	SHAFT, front axle, right, w/universal JOINT, assembly (SP-17128-3X) (Bendix joint)..... SHAFT, front axle, right, w/universal JOINT and NUT, assembly (WO-A-8837 has Bendix or Tracta universal joint. FM-GPW-3226 has Rzeppa universal joint. Complete assemblies are interchangeable).....	1 1	
10-4	8080-17155-1	FM-GP-3208-A	WO-A-862	SHIM, adjusting, front axle universal joint (0.010 thk.) (SP-17155-1) (also in SHIM SET, FM-GPW-18336, WO-A-6881).....	as req/	
	8080-17155-2	FM-GP-3208-B	WO-A-863	SHIM, adjusting, front axle universal joint (0.030 thk.) (SP-17155-2) (also in SHIM SET, FM-GPW-18336, WO-A-6881).....	as req.	
10-3	8080-1056	FM-GPW-18336	WO-A-6881	SHIM SET, adjusting, front axle universal joint (SP-1056) (at drive flange)..... (Consists of: 6 SHIM, 0.010 thk. 3 SHIM, 0.030 thk.)	1	.489
10-3, 6	8080-17218	FM-GP-3208-A FM-GP-3208-B FM-GP-3216	WO-A-862 WO-A-863 WO-A-1726	SNAP RING, front axle universal joint shaft retainer (SP-17218) (for Rzeppa joint) (also in KIT, FM-GPW-18391, WO-A-7111).....	2	.0016
10-5	8080-5953	FM-GP-3374	WO-A-780	WASHER, thrust, front axle shaft to housing (SP-S-953).....	2	.0839