

8080-2051-1

8080-2051-1

3320-GPW-18366

3320-GPW-
18366-B

FM-GPW-4001

FM-GPW-18366

FM-GP-4035

FM-GP-4032

FM-GP-4661

FM-GP-3034

FM-GP-4676-A

FM-GPW-1177

FM-GPW-18366-B

FM-GP-4035

FM-GP-4032

FM-GP-4661

WO-A-445

WO-A-5500

WO-A-1545

WO-A-782

WO-A-904

WO-636565

WO-A-779

WO-639265

WO-A-864

WO-A-7831

WO-A-782

WO-A-904

WO-636565

GROUP 11—REAR AXLE**1100—REAR AXLE ASSEMBLY**

AXLE, rear, assembly (4.88 ratio)..... 1

AXLE, rear, w/BRAKES, DRUMS and HUBS, assembly (WO-A-5500 includes brake
line tubes. FM-GPW-4001 does not include brake line tubes)..... 1 79.55GASKET SET, rear axle (superseded by GASKET SET, FM-GPW-18366-B,
WO-A-7831)..... 1 .0938

(Consists of:

1 GASKET, axle housing cover

2 GASKET, axle shaft, outer end

1 GASKET, drive pinion shaft oil seal

1 OIL SEAL, axle shaft, inner end

2 OIL SEAL, drive pinion shaft

2 OIL SEAL, wheel bearing)

GASKET SET, rear axle (supersedes GASKET SET, FM-GPW-18366,
WO-A-1545)..... 1 .15

(Consists of:

1 GASKET, axle housing cover

2 GASKET, axle shaft, outer end

1 GASKET, drive pinion shaft oil seal)

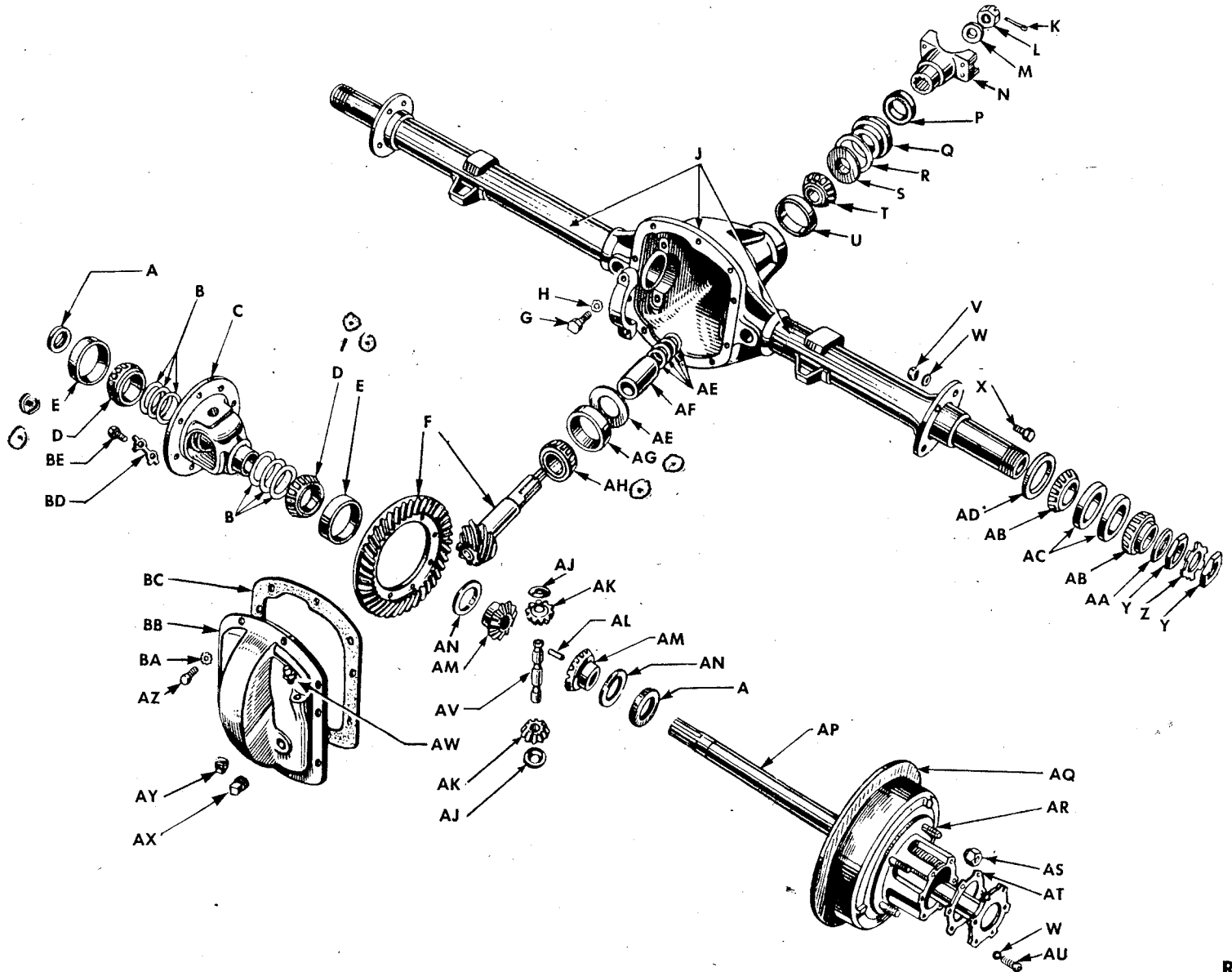


FIGURE 11-1—REAR AXLE ASSEMBLY—EXPLODED VIEW

Key	Part Name	Ford Part No.	Willys Part No.	Group No.	Key	Part Name	Ford Part No.	Willys Part No.	Group No.
A	OIL SEAL	FM-GP-3034	WO-A-779	1102	AD	OIL SEAL	FM-GP-1177	WO-A-864	1301 B
B	SHIM SET	FM-GPW-18388	WO-A-6744	1104	AE	SHIM SET	FM-GPW-18386	WO-A-6745	1104
C	CASE	FM-GP-4206	WO-A-793	1104	AF	SPACER	FM-GP-4668	WO-A-799	1104
D	CONE and ROLLERS	FM-GP-4221	WO-52880	1104	AG	CUP	FM-86H-4616	WO-52877	1104
E	CUP	FM-GP-4222	WO-52881	1104	AH	CONE and ROLLERS	FM-86H-4621	WO-52876	1104
F	GEAR SET	FM-GPW-4209	WO-A-789	1104	AJ	WASHER	FM-GP-4230	WO-A-797	1104
G	BOLT	FM-355699-S	WO-636527	1104	AK	PINION	FM-GPW-4215	WO-A-796	1104
H	WASHER	FM-34922-S	WO-636528	1104	AL	PIN	FM-GP-4241	WO-636360	1104
J	HOUSING, assembly	FM-GPW-4004	WO-A-888	1101	AM	GEAR	FM-GPW-4236	WO-A-794	1104
K	PIN	FM-357202-S	WO-636571	1104	AN	WASHER	FM-GP-4228	WO-A-795	1104
L	NUT	FM-356126-S	WO-636569	1104	AP	SHAFT	FM-GPW-4234	WO-A-901	1102
M	WASHER	FM-356504-S	WO-636570	1104	AQ	DRUM	FM-GP-1102	WO-A-1690	1302
N	YOKE, w/SHIELD, assembly	FM-GP-4842	WO-A-1445	1104	AR	BOLT	FM-GP-1107	WO-A-474	1302A
P	SHIELD	FM-GP-4666	WO-636568	1104	AS	NUT	FM-GP-1012	WO-A-476	1302A
Q	OIL SEAL	FM-GP-4676-A	WO-639265	1104	AT	GASKET	FM-GP-4032	WO-A-904	1102
R	GASKET	FM-GP-4661	WO-636565	1104	AU	BOLT	FM-GP-1110	WO-A-760	1102
S	SLINGER	FM-GP-4619	WO-636566	1104	AV	SHAFT	FM-GP-4211	WO-A-798	1104
T	CONE and ROLLERS	FM-GP-4630	WO-52878	1104	AW	PLUG	FM-GP-4022	WO-A-870	1101
U	CUP	FM-GP-4628	WO-52879	1104	AX	PLUG	FM-353051-S	WO-636538	1101
V	NUT	FM-37786-S2	WO-636575	1203	AY	PLUG	FM-358048-S	WO-636577	1101
W	WASHER	FM-34807-S2	WO-5010	1203	AZ	BOLT	FM-20046-S2	WO-51523	1101
X	BOLT	FM-355578-S	WO-A-903	1203	BA	WASHER	FM-34941-S7	WO-53029	1101
Y	NUT	FM-GP-4252	WO-A-866	1301A	BB	COVER	FM-GP-4016-A	WO-A-10231	1101
Z	WASHER	FM-GP-1124	WO-A-867	1301A	BC	GASKET	FM-GP-4035	WO-A-782	1101
AA	WASHER	FM-GP-1218	WO-A-865	1301A	BD	STRAP	FM-GP-4281	WO-A-792	1104
AB	CONE and ROLLERS	FM-GP-1201	WO-52942	1301A	BE	SCREW	FM-355511-S	WO-A-871	1104
AC	CUP	FM-GP-1202	WO-52943	1301A					

RA PD 342285A

FIGURE 11-1A—LEGEND FOR 11-1—REAR AXLE ASSEMBLY—EXPLODED VIEW

GROUP 11—REAR AXLE (Cont'd)

SNL G-503

1101-1104

Figure Number	Official Stock Number	Piece Mark or Part Number		ITEM	Quant. Req'd. per Unit Assy.	Unit Price
		Ford No.	Willys No.			
Col. 1	Col. 2	Col. 3	Col. 4	Col. 5	Col. 6	Col. 7
1101—HOUSING ASSEMBLY						
	8080-16976	FM-GP-4015		COVER, axle housing (superseded by COVER, FM-GP-4016-A, WO-A-10231).....	1	1.76
	8080-16976	FM-GP-4016	WO-A-781	COVER, axle housing (SP-16976) (superseded by COVER, FM-GP-4016-A, WO-A-10231).....	1	
11-1	8080-16976	FM-GP-4016-A	WO-A-10231	COVER, axle housing (supersedes COVER, FM-GP-4015; and COVER FM-GP-4016, WO-A-781).....	1	
11-1	H001-1013461	FM-20046-S2	WO-51523	BOLT, hex-hd., S., 3/16-18NC-2 x 3/4.....	10	
11-1		FM-34941-S7	WO-53029	WASHER, lock, S., cd-pltd., external tooth, flat type, 5/16 in.....	10	.0019
11-1	8080-16409	FM-GP-4035	WO-A-782	GASKET, axle housing cover (SP-16409) (also in GASKET SET, FM-GPW-18366-B, WO-A-7831).....	1	
11-1	8080-17226-X	FM-GPW-4004	WO-A-888	HOUSING, rear axle, w/TUBE, assembly (SP-17226-X).....	1	27.14
11-1		FM-358048-S	WO-636577	PLUG, drain, axle housing (SP-S-780).....	1	
11-1		FM-353051-S	WO-636538	PLUG, filler, axle housing (SP-50-39-4).....	1	
11-1	8080-16979	FM-GP-4022	WO-A-870	PLUG, vent, axle housing (SP-16979).....	1	
1102—AXLE DRIVE SHAFTS						
11-1	8080-17146	FM-GP-4032	WO-A-904	GASKET, rear axle shaft, outer end (SP-17146) (also in GASKET SET, FM-GPW-18366-B, WO-A-7831).....	2	.0015
		FM-GPW-4259	WO-A-6439	GUIDE, rear axle shaft (SP-17377).....	2	
11-1	H013-0500030	FM-GP-3034	WO-A-779	OIL SEAL, axle shaft, inner end (SP-17036).....	2	
	G503-0384602	FM-GP-4235	WO-A-902	SHAFT, rear axle, left (SP-17144-4).....	1	1.89
11-1	G503-0384601	FM-GPW-4234	WO-A-901	SHAFT, rear axle, right (SP-17144-3).....	1	2.932
11-1	8080-6-73-124	FM-GP-1110	WO-A-760	BOLT (hex-hd., S., 3/8-16NC-3 x 1 1/2) (SP-6-73-124).....	12	.0155
	H001-1518009	FM-34807-S2	WO-5010	WASHER, lock, S., SAE std., 3/8 in.....	12	
1104—DIFFERENTIAL CASE, GEARS, PINION AND BEARINGS (Items in this group are the same for front and rear axles)						
11-1		FM-355699-S	WO-636527	BOLT, differential case bearing cap (hex-hd., S., 1/2-13NC x 2 1/4) (SP-A-1358-1).....	4	.0167
11-1		FM-34922-S	WO-636528	WASHER, lock, S., internal tooth, flat type, 1/2 in.....	4	
11-1	8080-16383	FM-GP-4206	WO-A-793	CASE, differential (SP-16383).....	1	
11-1	H012-6146900	FM-GP-4221	WO-52880	CONE and ROLLERS, differential case bearing (1.625 bore x 1.000) (TIM-24780).....	2	
11-1	H012-6160380	FM-86H-4621	WO-52876	CONE and ROLLERS, differential drive pinion inner bearing (1.375 bore x 1.125) (TIM-31593).....	1	.641

160

11-1	H012-6122200	FM-GP-4630	WO-52878	CONE and ROLLERS, differential drive pinion outer bearing (1.125 bore x .875) (TIM-02872)	2	.505
11-1	H012-6220960	FM-GP-4222	WO-52881	CUP, differential case bearing (3.000 O.D. x .8125 wide) (TIM-24721)	2	
11-1	H012-6224700	FM-86H-4616	WO-52877	CUP, differential drive pinion inner bearing (3.000 O.D. x .9375 wide) (TIM-31520)	1	.342
11-1	H012-6209750	FM-GP-4628	WO-52879	CUP, differential drive pinion outer bearing (2.875 O.D. x .6875 wide) (TIM-02820)	1	.293
	8080-16968-X	FM-GPW-4207		DIFFERENTIAL, assembly (superseded by DIFFERENTIAL, assembly, FM-GPW-4212, WO-A-788)	1	
	8080-16968-X	FM-GPW-4212	WO-A-788	DIFFERENTIAL, assembly (SP-16968-X) (includes CASE, GEARS, and PINIONS) (supersedes DIFFERENTIAL, assembly, FM-GPW-4207)	1	17.43
11-1		FM-GP-4661	WO-636565	GASKET, differential drive pinion shaft oil seal (SP-S-171) (also in GASKET SET, FM-GPW-18365-B, WO-A-7830)	1	
11-1		FM-GPW-4236	WO-A-794	GEAR, differential, side (2.758 O.D. x 1 3/8 in. wide, 16 teeth) (SP-16385) (also in KIT, FM-GPW-18389, WO-A-6816)	2	
11-1	8080-16412-X	FM-GPW-4209	WO-A-789	GEAR, drive, differential, w/PINION (SP-16412-X) (matched set) (also in KIT, FM-GPW-18384, WO-A-6816)	1	
	3320-GPW-18389	FM-GPW-18389	WO-A-6743	KIT, repair, differential case gears.	1	3.93
				(Consists of:		
		FM-GP-4236	WO-A-794	2 GEAR, side		
		FM-GPW-4215	WO-A-796	2 PINION, differential		
	8080-16075	FM-GP-4211	WO-A-798	1 SHAFT, pinion		
		FM-GP-4230	WO-A-797	2 WASHER, thrust, pinion		
		FM-GP-4228	WO-A-795	2 WASHER, thrust, side gear)		
	3320-GPW-18384	FM-GPW-18384	WO-A-6816	KIT, repair, differential drive gear and pinion.	1	10.25
				(Consists of:		
		FM-356126-S	WO-636569	1 NUT, hex., slotted, S., 3/4-16NF-3		
		FM-355511-S	WO-A-871	8 SCREW, drive gear		
		FM-GPW-4209	WO-A-789	1 GEAR, drive, w/PINION		
		FM-GP-4281	WO-A-792	4 STRAP, lock)		
	H013-0500071	FM-GP-4676		OIL SEAL, differential drive pinion bearing (superseded by OIL SEAL, FM-GP-4676-A, WO-639265)	1	.228
11-1	H013-0500071	FM-GP-4676-A	WO-639265	OIL SEAL, differential drive pinion bearing (leather) (SP-14223) (supersedes OIL SEAL, FM-GP-4676)	1	
11-1	8080-13449	FM-GP-4241	WO-636360	PIN, lock, differential pinion shaft (SP-13449)	1	.0355
11-1	8080-15926	FM-GPW-4215	WO-A-796	PINION, differential (1.140 O.D., 10 teeth) (SP-15926) (also in KIT, FM-GPW-18389, WO-A-6816)	2	
11-1	8080-6-73-414	FM-355511-S	WO-A-871	SCREW, differential driven gear (SP-6-73-414) (also in KIT, FM-GPW-18384, WO-A-6816)	8	.0125
11-1	8080-16075	FM-GP-4211	WO-A-798	SHAFT, differential pinion (SP-16075) (also in KIT, FM-GPW-18389, WO-A-6816)	1	
11-1		FM-GP-4666	WO-636568	SHIELD, dust, universal joint end yoke, differential drive pinion shaft (SP-15099)	1	
	8080-S-58	FM-GP-4229-A	WO-A-784	SHIM, adjusting, differential case bearing (0.003 thk.) (SP-S-58) (also in SHIM SET, FM-GPW-18388, WO-A-6744)	as req.	
	8080-S-59	FM-GP-4229-B	WO-A-785	SHIM, adjusting, differential case bearing (0.005 thk.) (SP-S-59) (also in SHIM SET, FM-GPW-18388, WO-A-6744)	as req.	
	8080-S-74	FM-GP-4229-C	WO-A-786	SHIM, adjusting, differential case bearing (0.010 thk.) (SP-S-74) (also in SHIM SET, FM-GPW-18388, WO-A-6744)	as req.	
	8080-S-75	FM-GP-4229-D	WO-A-787	SHIM, adjusting, differential case bearing (0.030 thk.) (SP-S-75) (also in SHIM SET, FM-GPW-18388, WO-A-6744)	as req.	

GROUP 11—REAR AXLE (Cont'd)

Figure Number	Official Stock Number	Piece Mark or Part Number		ITEM	Quant. Req'd. per Unit Assy.	Unit Price
		Ford No.	Willys No.			
Col. 1	Col. 2	Col. 3	Col. 4	Col. 5	Col. 6	Col. 7
				1104—DIFFERENTIAL CASE, GEARS, PINION AND BEARINGS (Cont'd) (Items in this group are the same for front and rear axles)		
	8080-S-112	FM-GP-4229-E FM-GP-4660-A	WO-A-800	SHIM, adjusting, differential case bearing (0.015 thk.)	as req.	
	8080-S-113	FM-GP-4660-B	WO-A-801	SHIM, adjusting, differential drive pinion, large (0.003 thk.) (SP-S-112) (also in SHIM SET, FM-GPW-18386, WO-A-6745)	as req.	
	8080-S-114	FM-GP-4660-C	WO-A-802	SHIM, adjusting, differential drive pinion, large (0.005 thk.) (SP-S-113) (also in SHIM SET, FM-GPW-18386, WO-A-6745)	as req.	
	8080-S-638	FM-GP-4659-A	WO-A-803	SHIM, adjusting, differential drive pinion, large (0.010 thk.) (SP-S-114) (also in SHIM SET, FM-GPW-18386, WO-A-6745)	as req.	
	8080-S-638-1	FM-GP-4659-B	WO-A-804	SHIM, adjusting, differential drive pinion bearing, small (0.003 thk.) (SP-S-638) (also in SHIM SET, FM-GPW-18386, WO-A-6745)	as req.	
	8080-S-638-2	FM-GP-4659-C	WO-A-805	SHIM, adjusting, differential drive pinion bearing, small (0.005 thk.) (SP-S-683-1) (also in SHIM SET, FM-GPW-18386, WO-A-6745)	as req.	
	8080-S-638-3	FM-GP-4659-D	WO-A-806	SHIM, adjusting, differential drive pinion bearing, small (0.010 thk.) (SP-S-638-2) (also in SHIM SET, FM-GPW-18386, WO-A-6745)	as req.	
11-1	3320-GPW-18388	FM-GPW-18388	WO-A-6744	SHIM, adjusting, differential drive pinion bearing, small (0.030 thk.) (SP-S-638-S) (also in SHIM SET, FM-GPW-18386, WO-A-6745)	as req.	
				SHIM SET, adjusting, differential case bearing	1	.148
				(Consists of:		
		FM-GPW-4229-A	WO-A-784	2 SHIM, 0.003 thk.		
		FM-GP-4229-B	WO-A-785	2 SHIM, 0.005 thk.		
		FM-GP-4229-O	WO-A-786	3 SHIM, 0.010 thk.		
		FM-GP-4229-D	WO-A-787	3 SHIM, 0.030 thk.)		
11-1	3320-GPW-18386	FM-GPW-18386	WO-A-6745	SHIM SET, adjusting, differential drive pinion bearing	1	.358
				(Consists of:		
		FM-GP-4660-A	WO-A-800	4 SHIM, large, 0.003 thk.		
		FM-GP-4660-B	WO-A-801	4 SHIM, large, 0.005 thk.		
		FM-GP-4660-C	WO-A-802	4 SHIM, large, 0.010 thk.		
		FM-GP-4659-A	WO-A-803	4 SHIM, small, 0.003 thk.		
		FM-GP-4659-B	WO-A-804	4 SHIM, small, 0.005 thk.		
		FM-GP-4659-C	WO-A-805	4 SHIM, small, 0.010 thk.		
		FM-GP-4659-D	WO-A-806	4 SHIM, small, 0.030 thk.)		
11-1	8080-13575	FM-GP-4619	WO-636566	SLINGER, oil, differential drive pinion bearing (SP-13575)	1	.0191
11-1	8080-15367	FM-GP-4668	WO-A-799	SPACER, differential drive pinion bearing (SP-15367)	1	.212
11-1		FM-GP-4281	WO-A-792	STRAP, lock, differential drive gear screw (also in KIT, FM-GPW-18384, WO-A-6816)	4	

11-1	8080-16323-2	FM-GP-4228	WO-A-795	WASHER, thrust, differential side gear (SP-16323-2) (also in KIT, FM-GPW-18389, WO-A-6816).....	2	
11-1	8080-16322-2	FM-GP-4230	WO-A-797	WASHER, thrust, differential pinion (SP-16322-2) (also in KIT, FM-GPW-18389, WO-A-6816).....	2	
11-1	8080-K2-4-108-X	FM-GP-4842	WO-A-1445	YOKE, end, universal joint, differential drive pinion shaft, w/SHIELD, assembly (SP-K2-4-108-X).....	1	1.645
11-1	H001-4217800	FM-356126-S	WO-636569	NUT, hex., slotted, S., $\frac{3}{4}$ -16NF-3 (SP-S-1135).....	1	.0167
11-1	H001-0811304	FM-357202-S	WO-636571	PIN, cotter, split, S., $\frac{7}{64}$ x $1\frac{1}{2}$	1	
11-1		FM-356504-S	WO-636570	WASHER, flat, S. ($\frac{3}{4}$ I.D. x $1\frac{1}{2}$ O.D. x $\frac{1}{8}$ thk.) (SP-S-1056).....	1	.0217