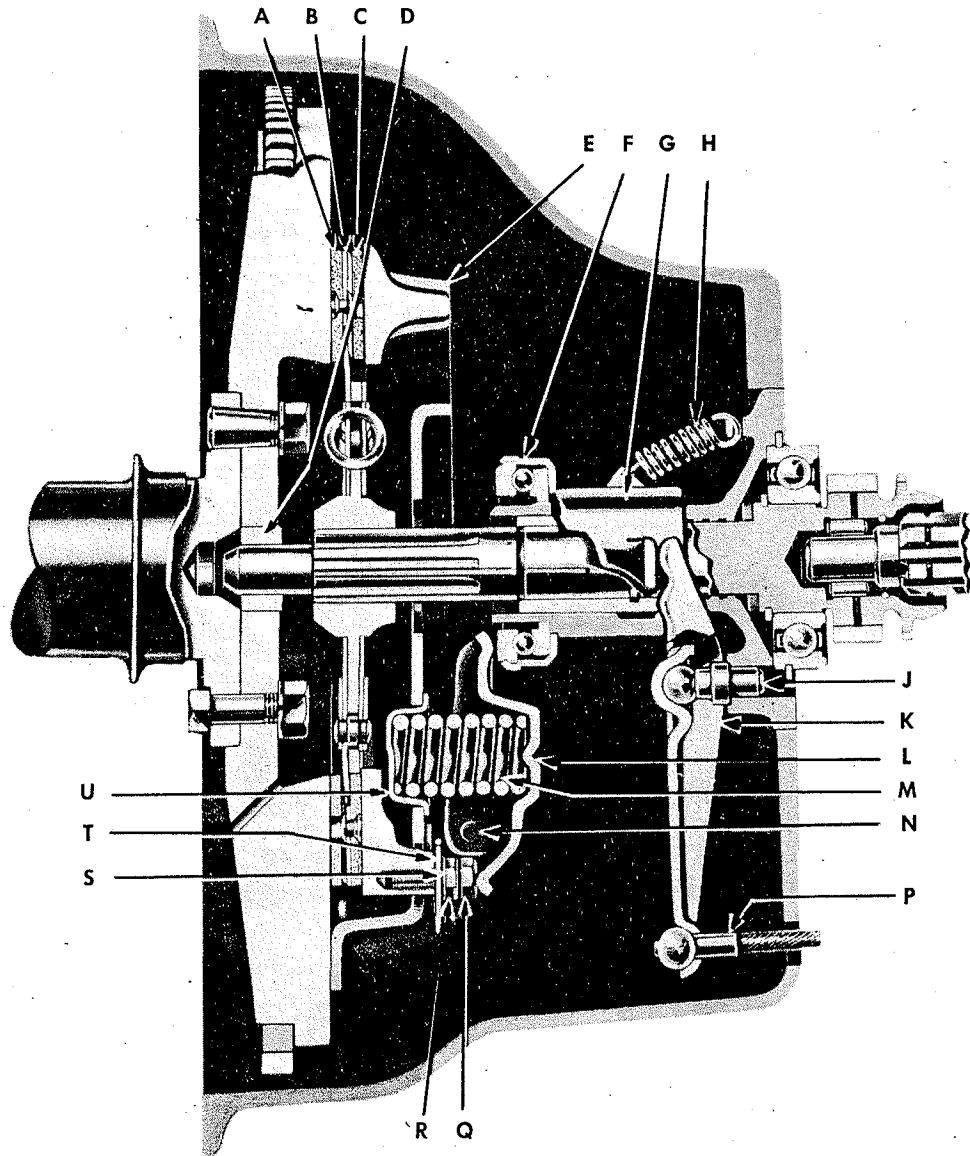


**GROUP 02—CLUTCH**

**0201—CLUTCH DISK**

02-1, 2	FM-GPW-7550	WO-636755	PLATE, disk, engine clutch, w/HUB, assembly (B&B-11123).....	1	2.541
---------	-------------	-----------	--	---	-------

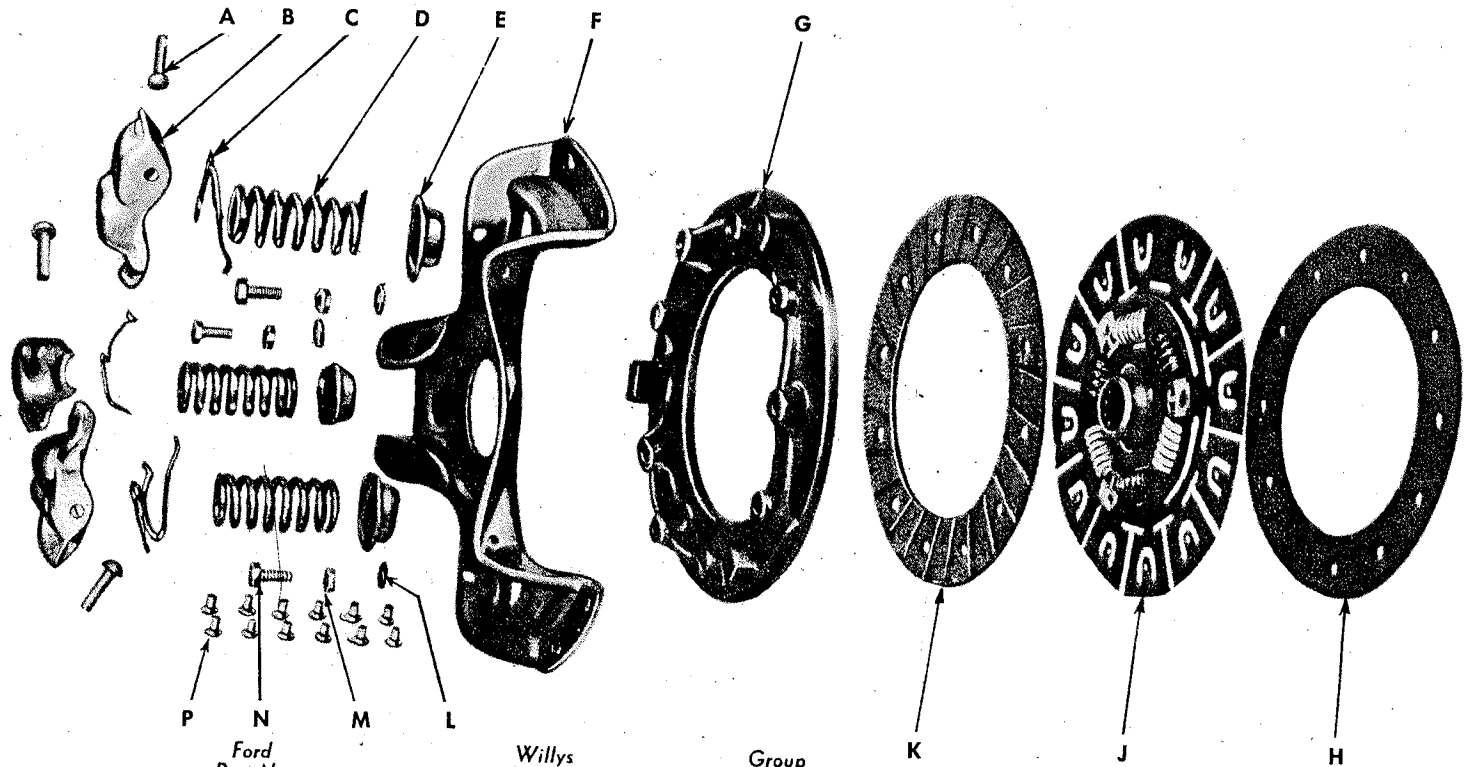
*Note 1*—Only for vehicles modified by MWO ORD G503-W7.



Key	Part Name	Ford Part No.	Willys Part No.	Group No.
A	FACING	FM-GPW-7549	WO-371567	0201A
B	PLATE	FM-GPW-7550	WO-636755	0201
C	FACING	FM-GPW-7577	WO-636778	0201A
D	BUSHING	FM-GPW-7600	WO-639578	0205
E	PLATE	FM-GPW-7566	WO-638152	0202
F	BEARING	FM-74-7580-B	WO-635529	0203
G	CARRIER	FM-GPW-7561	WO-639654	0203
H	SPRING	FM-GPW-7562	WO-630117	0203
J	FULCRUM	FM-GPW-7516	WO-630068	0203
K	LEVER	FM-GPW-7515	WO-630112	0203
L	LEVER	FM-GPW-7591	WO-638158	0202
M	SPRING	FM-GPW-7572	WO-638993	0202
N	PIN	FM-GPW-7565	WO-638159	0202
P	CABLE	FM-GPW-7530	WO-A-5102	0203
Q	SCREW	FM-24325-S	WO-638154	0202
R	NUT	FM-33921-S7	WO-638155	0202
S	WASHER	FM-34745-S2	WO-638305	0202
T	SPRING	FM-GPW-7590	WO-638153	0202
U	CUP	FM-GPW-7567	WO-638157	0202

FIGURE 02-1—CLUTCH ASSEMBLY—SECTIONAL VIEW

RA PD 342254

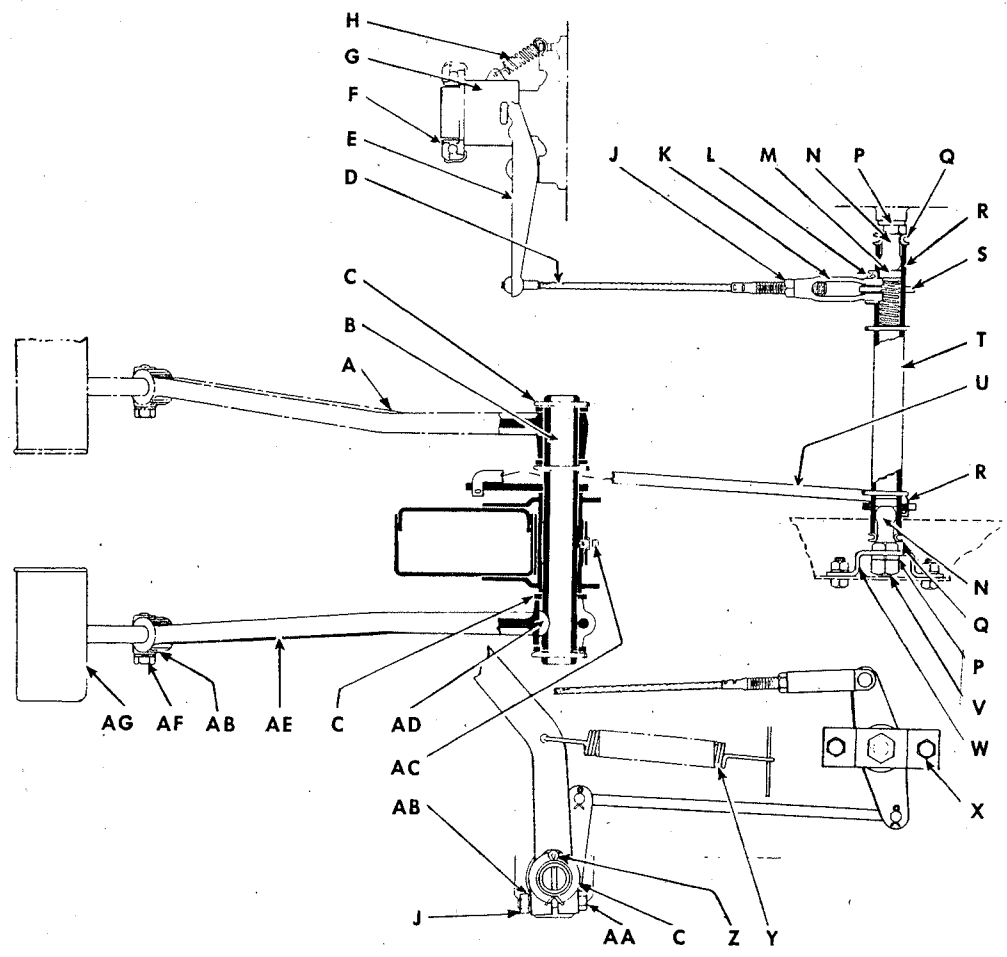


Key	Part Name	Ford Part No.	Willys Part No.	Group Number
A	PIN	FM-GPW-7565	WO-638159	0202
B	LEVER	FM-GPW-7591	WO-638158	0202
C	SPRING	FM-GPW-7590	WO-638153	0202
D	SPRING	FM-GPW-7572	WO-638993	0202
E	CUP	FM-GPW-7567	WO-638157	0202
F	COVER	FM-GPW-7570	WO-638151	0202
G	PLATE	FM-GPW-7566	WO-638152	0202
H	FACING	FM-GPW-7549	WO-371567	0201A
J	PLATE, assembly	FM-GPW-7550	WO-636755	0201
K	FACING	FM-GPW-7577	WO-636755	0201A
L	WASHER	FM-34745-S2	WO-638305	0202
M	NUT	FM-33921-S7	WO-638155	0202
N	SCREW	FM-24325-S	WO-638154	0202
P	RIVET	FM-351926-SA	WO-374681	0201A

FIGURE 02-2—CLUTCH PRESSURE PLATE AND DISK—EXPLODED VIEW

**GROUP 02—CLUTCH (Cont'd)**

Figure Number	Official Stock Number	Piece Mark or Part Number		ITEM	Quant. Reqd. per Unit Assy.	Unit Price
		Ford No.	Willys No.			
Col. 1	Col. 2	Col. 3	Col. 4	Col. 5	Col. 6	Col. 7
<b>0201A—FACINGS AND RIVETS</b>						
01-1, 2	5960-C-5509	FM-GPW-7577	WO-636778	FACING, engine clutch, rear (B&B-4324) (also in FACING SET, FM-GPW-18358, WO-A-6751) .....	1	
01-1, 2	5960-C-5510	FM-GPW-7549	WO-371567	FACING, engine clutch, front (B&B-2940) (also in FACING SET, FM-GPW-18358, WO-A-6571) .....	1	
02-2	5960-CS-5509-A	FM-351926-SA	WO-374681	RIVET, tubular, S., fl. ck-hd., $\frac{5}{32} \times \frac{1}{16}$ .....	12	
		FM-GPW-18358	WO-A-6751	FACING SET, engine clutch disk .....	1	1.043
		FM-GPW-7577	WO-636778	(Consists of:		
		FM-GPW-7549	WO-371567	1 FACING, engine clutch, rear		
		FM-351926-SA	WO-374681	1 FACING, engine clutch, front 15 RIVET)		
<b>0202—COVER AND PRESSURE PLATE</b>						
02-2	3320-GPW-18359	FM-GPW-7570	WO-638151	COVER, engine clutch .....	1	
02-1, 2		FM-GPW-7567	WO-638157	CUP, engine clutch pressure spring .....	3	
		FM-GPW-18359	WO-A-6752	KIT, repair, engine clutch cover (superseded by KIT, FM-GPW-18359-B, WO-A-7833) ..	1	
		FM-GPW-7567	WO-638157	(Consists of:		
		FM-GPW-7591	WO-638158	3 CUP, pressure spring		
		FM-GPW-7565	WO-638159	3 LEVER, pressure spring		
		FM-GPW-7572	WO-638993	3 PIN, pivot, lever		
		FM-GPW-7590	WO-638153	3 SPRING, pressure		
		3320-GPW-18359-B	WO-A-7833	3 SPRING, return, pressure plate)		
		FM-GPW-18359-B	WO-A-7833	KIT, repair, engine clutch cover (supersedes KIT, FM-GPW-18359, WO-A-6752) .....	1	3.063
	FM-GPW-7567	WO-638157	(Consists of:			
	FM-GPW-7591	WO-638158	3 CUP, pressure spring			
	FM-33921-S7	WO-638155	3 LEVER, pressure spring			
	FM-GPW-7565	WO-638159	3 NUT, adjusting screw			
	FM-24325-S	WO-638154	3 PIN, pivot, lever			
	FM-GPW-7572	WO-638993	3 SCREW, adjusting			
	FM-GPW-7590	WO-638153	3 SPRING, pressure			
	FM-34745-S2	WO-638305	3 SPRING, return, pressure plate			
02-1, 2	FM-GPW-7591	WO-638158	3 WASHER, adjusting screw)			
02-1, 2	FM-33921-S7	WO-638155	LEVER, engine clutch pressure spring .....	3		
02-1, 2	FM-GPW-7565	WO-638159	NUT, lock, engine clutch lever adjusting screw (thin, hex., s-fin., S., cd-pltd., $\frac{1}{4}$ -28NF-2) .....	3		
			PIN, pivot, engine clutch pressure spring lever .....	3		



Key	Part Name	Ford Part No.	Willys Part No.	Group No.
A	PEDAL	FM-GPW-2452-B	WO-A-8253	1204
B	SHAFT	FM-GPW-2473	WO-A-495	1204
C	WASHER	FM-356561-S	WO-A-498	0204
D	CABLE	FM-GPW-7530	WO-A-5102	0203
E	LEVER	FM-GPW-7515	WO-630112	0203
F	BEARING	FM-74-7580-B	WO-635529	0203
G	CARRIER	FM-GPW-7561	WO-639654	0203
H	SPRING	FM-GPW-7562	WO-630117	0203
J	NUT	FM-33798-S7	WO-A-1532	0203
K	YOKE	FM-GPW-7532	WO-632177	0203
L	PIN	FM-73880-S	WO-339043	0203
M	RETAINER	FM-GPW-7517	WO-A-177	0204A
N	STUD	FM-GPW-7514	WO-A-181	0204A
P	WASHER	FM-34808-S2	WO-5059	0204A
Q	SEAL	FM-GPW-7512	WO-A-887	0204A
R	PAD	FM-GPW-7539	WO-A-176	0204A
S	SPRING	FM-GPW-7545	WO-A-178	0204A
T	LEVER, assembly	FM-GPW-7503	WO-A-1355	0204A
U	ROD	FM-GPW-7521	WO-A-499	0204A
V	NUT	FM-33801-S2	WO-5336	0204A
W	BRACKET	FM-GPW-7508	WO-A-180	0204
X	BOLT	FM-24327-S7	WO-52132	0204
Y	SPRING	FM-GPW-7523	WO-630593	0204
Z	PIN	FM-72063-S	WO-52944	0204
AA	BOLT	FM-24505-S7	WO-50992	0204
AB	WASHER	FM-34806-S2	WO-51833	0204
AC	FITTING	FM-353043-A-S7	WO-638792	0204
AD	KEY	FM-74178-S	WO-5036	0204
AE	PEDAL	FM-GPW-7520	WO-A-405	0204
AF	BOLT	FM-24426	WO-6157	0204
AG	PAD	FM-GPW-7525	WO-A-1360	0204

FIGURE 02-3—CLUTCH LINKAGE AND CONTROLS

**GROUP 02—CLUTCH (Cont'd)**

Figure Number	Official Stock Number	Piece Mark or Part Number		ITEM	Quant. Req'd. per Unit Assy.	Unit Price
		Ford No.	Willys No.			
Col. 1	Col. 2	Col. 3	Col. 4	Col. 5	Col. 6	Col. 7
<b>0202—COVER AND PRESSURE PLATE (Cont'd)</b>						
02-1, 2	0523-TP-285-1 3320-GPW-7563	FM-GPW-7566 FM-GPW-7563	WO-638152 WO-638992	PLATE, pressure, engine clutch (AVM-TP-285-1).....	1	1.60
				PLATE, pressure, engine clutch, assembly (AVM-TP-28-71) (includes: COVER, pressure PLATE, SPRINGS, and LEVERS).....	1	2.802
		FM-355476-S	WO-630129	BOLT, hex-hd., S., special, 5/16-18NC-2 x 1 1/16.....	6	.0083
02-1, 2		FM-24325-S	WO-638154	SCREW, adjusting, engine clutch lever (hex-hd., s-fin., alloy-S., 1/4-28NF-2 x 5/8) (AVM-TP-2818) (also in KIT, FM-GPW-18359-B, WO-A-7833).....	3	
02-1, 2		FM-GPW-7572	WO-638993	SPRING, pressure, engine clutch.....	3	
02-1, 2		FM-GPW-7590	WO-638153	SPRING, return, engine clutch pressure plate.....	3	
02-1, 2		FM-34745-S2	WO-638305	WASHER, engine clutch lever adjusting screw (flat, S., 3/32 I.D. x 5/8 O.D. x 1/16 thk.)	3	
<b>0203—RELEASE PARTS</b>						
	H012-0710203	FM-GPW-7580		BEARING, engine clutch release (superseded by BEARING, FM-74-7580-B, WO-635529).....	1	
02-1, 3		FM-74-7580-B	WO-635529	BEARING, engine clutch release (AB-A-935-1) (supersedes BEARING, FM-GPW-9580).....	1	.641
02-1, 3	3320-GPW-7530	FM-GPW-7530	WO-A-5102	CABLE, engine clutch control (TRU-SA-2844-1).....	1	.293
02-3	G166-0314832	FM-33798-S7	WO-A-1532	NUT, reg., hex., S., cd-pltd., 5/16-24NF-2.....	1	
02-1, 3	3320-GPW-7561	FM-GPW-7561	WO-639654	CARRIER, engine clutch release bearing.....	1	.684
02-1	3320-GPW-7516	FM-GPW-7516	WO-630068	FULCRUM, engine clutch release lever (TRU-SA-2844-1).....	1	.0482
02-1, 3	3320-GPW-7515	FM-GPW-7515	WO-630112	LEVER, engine clutch release.....	1	.179
02-1, 3	3320-GPW-7562	FM-GPW-7562	WO-630117 WO-6599	SPRING, engine clutch release bearing carrier.....	1	.0075
				YOKE, adjustable, engine clutch control cable (superseded by YOKE, FM-GPW-7532, WO-632177).....	1	
02-3	3320-GPW-7532	FM-GPW-7532	WO-632177	YOKE, adjustable, engine clutch control cable (supersedes YOKE, WO-6599).....	1	.0758
02-3		FM-73880-S	WO-339043	PIN, clevis, engine clutch control cable, yoke end.....	1	
	H001-6811640	FM-72034-S	WO-A-1642	PIN, cotter, split, S., cd-pltd., 3/32 x 1.....	1	
<b>0204—PEDAL</b>						
02-3		FM-GPW-7508	WO-A-180	BRACKET, engine clutch control lever (on frame).....	1	.0875
02-3		FM-24327-S7	WO-52132	BOLT, hex-hd., s-fin., S., cd-pltd., 5/16-24NF-2 x 5/8.....	2	.0026
		FM-33798-S7	WO-A-1532	NUT, hex., S., cd-pltd., 5/16-24NF-2.....	2	
	H001-7025711	FM-34806-S7	WO-51833	WASHER, lock, reg., S., cd-pltd., 5/16 in.....	2	
02-3		FM-353043-A-S7	WO-638792	FITTING, grease, straight, 1/4-28NF, tapered thd. (AD-1641) (engine clutch pedal shaft)	1	

47

SNL G-503

0202-0204

**GROUP 02—CLUTCH (Cont'd)**

SNL G-503

0204-0205

Figure Number	Official Stock Number	Piece Mark or Part Number		ITEM	Quant. Req'd. per Unit Assy.	Unit Price
		Ford No.	Willys No.			
Col. 1	Col. 2	Col. 3	Col. 4	Col. 5	Col. 6	Col. 7
<b>0204—PEDAL (Cont'd)</b>						
02-3		FM-GPW-7525	WO-A-1360	PAD, engine clutch pedal, assembly (superseded by PAD, FM-GPW-7525-A, WO-A-8440)	1	
02-3		FM-GPW-7525-A	WO-A-8440	PAD, engine clutch pedal, assembly (supersedes PAD, FM-GPW-7525, WO-A-1360)	1	
02-3, 18-1		FM-24426	WO-6157	BOLT, hex-hd., S., 5/16-18NC-2 x 1/4	1	.0042
		FM-GPW-7520	WO-A-405	PEDAL, engine clutch (superseded by PEDAL, FM-GPW-7520-A, WO-A-10269)	1	2.541
		FM-GPW-7520-A	WO-A-10269	PEDAL, engine clutch (supersedes PEDAL, FM-GPW-7520, WO-A-405)	1	
02-3		FM-24505-S7	WO-50992	BOLT, hex-hd., S., cd-pltd., 5/16-24NF-2 x 1 3/4	1	
02-3		FM-74178-S	WO-5036	KEY, Woodruff No. 9	1	
02-3		FM-33798-S2	WO-5910	NUT, reg., hex., s-fin., S., 5/16-24NF-2 (GM-103025)	1	
02-3		FM-34806-S2	WO-51833	WASHER, lock, reg., S., 5/16 in.	1	
02-3	G503-0389783	FM-GPW-7523	WO-630593	SPRING, retracting, engine clutch pedal (5 7/8 in. free lgth., 40 coils)	1	.0544
02-3		FM-356561-S	WO-A-498	WASHER, engine clutch pedal shaft (special, S., 1 1/2 O.D. x 1 1/32 I.D. x 1/8 thk.)	3	.0167
02-3		FM-72063-S	WO-52944	PIN, cotter, split, S., 5/32 x 1 3/8	3	
<b>0204A—PEDAL LINKAGE</b>						
02-3	3320-GPW-7503	FM-GPW-7503	WO-A-1355	LEVER, engine clutch control, w/TUBE, assembly	1	.717
02-3	3320-GPW-7539	FM-GPW-7539	WO-A-176	PAD, engine clutch control tube (felt, 5/8 O.D. x 1/4 thk.)	2	.0021
02-3	3320-GPW-7517	FM-GPW-7517	WO-A-177	RETAINER, engine clutch control tube spring (S., 19/32 O.D. x 3/32 thk.)	2	.0065
02-3		FM-GPW-7521	WO-A-499	ROD, engine clutch release lever	1	.163
		FM-72004-S	WO-5354	PIN, cotter, split, S., 3/32 x 1/2	2	
02-3	3320-GPW-7512	FM-GPW-7512	WO-A-887	SEAL, engine clutch control tube, dust (1 in. O.D.)	2	.0192
02-3	3320-GPW-7545	FM-GPW-7545	WO-A-178	SPRING, engine clutch control tube (S., 5/16 O.D. x 1 1/4 free lgth.)	2	.014
02-3	3320-GPW-7514	FM-GPW-7514	WO-A-181	STUD, ball, engine clutch control (S., 1/16-14NC)	2	.0992
02-3	G134-0314564	FM-33801-S2	WO-5336	NUT, reg., hex., S., 1/16-14NC-2	2	
02-3	G085-2371520	FM-34808-S2	WO-5059	WASHER, lock, S., SAE std., 1/16 in.	2	
<b>0205—PILOT BEARING</b>						
02-1	3320-GPW-7600	FM-GPW-7600	WO-639578	BUSHING, pilot, clutch shaft (in flywheel)	1	.0533

48