

## GROUP 04—EXHAUST

### 0401—MUFFLER AND EXHAUST PIPE (Round Type and Oval Type)

04-1	3320-GPW-5251	FM-GPW-5251	WO-A-1300	CLAMP, exhaust pipe extension . . . . .	1	.101
04-1		FM-23392-S2	WO-52983	BOLT, carriage, sq-shank., rd-hd., S., $\frac{5}{16}$ -18NC-2 x $\frac{7}{8}$ (GM-119034) . . . . .	1	
	H001-1013461	FM-20046-S2	WO-51523	BOLT, hex-hd., S., $\frac{5}{16}$ -18NC-2 x $\frac{3}{4}$ . . . . .	1	
04-1	G085-2307354	FM-33797-S2	WO-53037	NUT, reg., hex., S., $\frac{5}{16}$ -18NC-2 (GM-118614) . . . . .	2	
04-1	H001-7025711	FM-34806-S7	WO-51833	WASHER, lock, S., cd-pltd., SAE std., $\frac{5}{16}$ in. . . . .	2	
04-1		FM-34746-S7	WO-A-1533	WASHER, plain, S., cd-pltd., SAE, $\frac{5}{16}$ in. (used as spacer) . . . . .	1	

## GROUP 04—EXHAUST (Cont'd)

Figure Number	Official Stock Number	Piece Mark or Part Number		ITEM	Quant. Req'd. per Unit Assy.	Unit Price
		Ford No.	Willys No.			
Col. 1	Col. 2	Col. 3	Col. 4	Col. 5	Col. 6	Col. 7
<b>0401—MUFFLER AND EXHAUST PIPE (Cont'd) (Round Type and Oval Type)</b>						
04-1	3320-GPW-5270	FM-GPW-5270	WO-636004	CLAMP, exhaust pipe to muffler.....	1	.0658
04-1		FM-20407-S7	WO-53131	BOLT, hex-hd., S., cd-pltd., $\frac{5}{16}$ -24NF-2 x $1\frac{1}{8}$ .....	1	
04-1	G166-0314832	FM-33798-S7	WO-A-1532	NUT, reg., hex., S., cd-pltd., $\frac{5}{16}$ -24NF-2.....	1	
04-1	H001-7027511	FM-34806-S7	WO-51833	WASHER, lock, S., cd-pltd., SAE std., $\frac{5}{16}$ in.....	1	
		FM-34706-S2	WO-5437	WASHER, plain, S., US std., $\frac{5}{16}$ in.....	1	
04-1	3320-GPW-5298	FM-GPW-5298	WO-A-6119	CLAMP, muffler tail pipe.....	1	.108
		FM-20407-S7	WO-53131	BOLT, hex-hd., S., cd-pltd., $\frac{5}{16}$ -24NF-2 x $1\frac{1}{8}$ (GM-123499).....	1	
	G166-0314832	FM-33798-S7	WO-A-1532	NUT, reg., hex., S., cd-pltd., $\frac{5}{16}$ -24NF-2.....	1	
	H001-7025711	FM-34806-S7	WO-51833	WASHER, lock, S., cd-pltd., SAE std., $\frac{5}{16}$ in.....	1	
		FM-34706-S2	WO-5437	WASHER, plain, flat, S., US std., $\frac{5}{16}$ in.....	1	
04-1	3320-GPW-5264-B	FM-GPW-5264-B	WO-A-5753	CLAMP, support, oval type muffler.....	1	.163
		FM-20467-S2	WO-51658	BOLT, hex-hd., S., $\frac{5}{16}$ -24NF-2 x $1\frac{1}{2}$ .....	2	
		FM-33798-S7	WO-A-1532	NUT, reg., hex., S., cd-pltd., $\frac{5}{16}$ -24NF-2.....	2	
	H001-7025711	FM-34806-S7	WO-51833	WASHER, lock, S., cd-pltd., SAE std., $\frac{5}{16}$ in.....	2	
		FM-GPW-5264		CLAMP, support, round type muffler (superseded by CLAMP, FM-GPW-5264-A, WO-A-655).....	1	
	3320-GPW-5264-A	FM-GPW-5264-A	WO-A-655	CLAMP, support, round type muffler (supersedes CLAMP, FM-GPW-5264).....	1	
04-1	3320-GPW-5269	FM-GPW-5269	WO-630526	FLANGE, exhaust pipe (Willys only).....	1	.105
			WO-6486	BOLT, hex-hd., s-fin., alloy-S., $\frac{3}{8}$ -16NC-2 x $2\frac{1}{4}$ (GM-106333).....	1	
			WO-53289	NUT, hex., S., Seez-Pruf, $\frac{3}{8}$ -16NC-2.....	1	
		FM-34807-S2	WO-5010	WASHER, lock, reg., S., $\frac{3}{8}$ in.....	1	
	3320-GPW-9450	FM-GPW-9450	WO-634814	GASKET, exhaust pipe flange (also in GASKET SET, FM-GPW-18387, WO-A-1537).....	1	.008
04-1	3320-GPW-5283	FM-GPW-5283	WO-A-658	INSULATOR, muffler support.....	2	.0072
04-1		FM-23498-S2	WO-52372	BOLT, carriage, sq-shank, rd-hd., S., $\frac{5}{16}$ -18NC-2 x $1\frac{3}{4}$ (w/NUT) (to support strap and body sill).....	1	
04-1		FM-24367-S2	WO-50929	BOLT, hex-hd., S., $\frac{5}{16}$ -24NF-2 x $\frac{7}{8}$ (to support strap and body sill).....	3	
	G166-0314832	FM-33798-S7	WO-A-1532	NUT, reg., hex., S., cd-pltd., $\frac{5}{16}$ -24NF-2.....	3	
	H001-7025711	FM-34806-S7	WO-51833	WASHER, lock, S., cd-pltd., SAE std., $\frac{5}{16}$ in.....	4	
		FM-GPW-5230		MUFFLER, assembly (round type) (superseded by MUFFLER, assembly, FM-GPW-5230-A, WO-A-1146) (Note 1).....	1	
	3320-GPW-5230-A	FM-GPW-5230-A	WO-A-1146	MUFFLER, assembly (round type) (supersedes MUFFLER, assembly FM-GPW-5230) (Note 1).....	1	
04-1	3320-GPW-5230-B	FM-GPW-5230-B	WO-A-6118	MUFFLER, assembly (oval type).....	1	1.71

Note 1—MUFFLER, assembly, FM-GPW-5230-B, WO-A-6118 (oval type) can be used to replace MUFFLER, assembly, FM-GPW-5230 and FM-GPW-5230-A, WO-A-1146 (round type) by using CLAMPS, FM-GPW-5264-B, WO-A-5733 and FM-GPW-5298, WO-A-6119 with the former.

Key	Part Name	Ford Part No.	Willys Part No.	Group No.
A	PIPE, assembly	FM-GPW-5246-B	WO-A-10199	0401
B	FLANGE	FM-GPW-5269	WO-630526	0401
C	PLATE	FM-GPW-5274	WO-638058	0401
D	BOLT	FM-23498-S2	WO-52372	0401
E	INSULATOR	FM-GPW-5283	WO-A-658	0401
F	BOLT	FM-24367-S2	WO-50929	0401
G	CLAMP	FM-GPW-5264-B	WO-A-5753	0401
H	STRAP	FM-GPW-5262	WO-A-657	0401
J	MUFFLER, assembly	FM-GPW-5230-B	WO-A-6118	0401
K	CLAMP	FM-GPW-5298	WO-A-6119	0401
L	PLATE	FM-GPW-5291-B	WO-A-1253	1500
M	WASHER	FM-34746-S7	WO-A-1533	0401
N	WASHER	FM-34806-S7	WO-51833	0401
P	NUT	FM-33797-S2	WO-53037	0401
Q	BOLT	FM-23392-S2	WO-52983	0401
R	CLAMP	FM-GPW-5251	WO-A-1300	0401
S	NUT	FM-33798-S7	WO-A-1532	0401
T	BOLT	FM-20407-S7	WO-53131	0401
U	CLAMP	FM-GPW-5270	WO-636004	0401

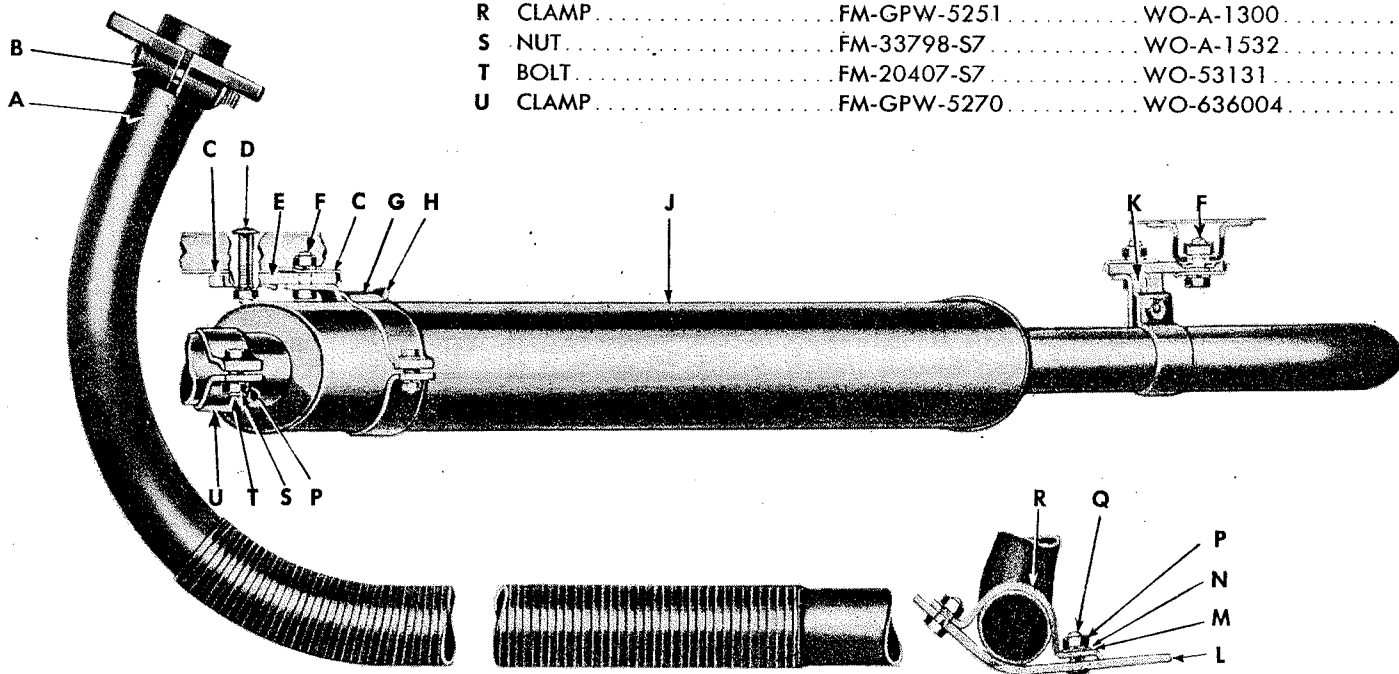


FIGURE 04-1—EXHAUST SYSTEM

**GROUP 04—EXHAUST (Cont'd)**

Figure Number	Official Stock Number	Piece Mark or Part Number		ITEM	Quant. Req'd. per Unit Assy.	Unit Price
		Ford No.	Willys No.			
Col. 1	Col. 2	Col. 3	Col. 4	Col. 5	Col. 6	Col. 7
<b>0401—MUFFLER AND EXHAUST PIPE (Cont'd) (Round Type and Oval Type)</b>						
	3320-GPW-5246	FM-GPW-5246	WO-A-1296	PIPE, exhaust, w/bond STRAP, assembly (Ford only).....	1	2.232
			WO-A-8101	PIPE, exhaust, w/o bond STRAP, assembly (Willys only).....	1	
04-1	3320-GPW-5246-B	FM-GPW-5246-B	WO-A-10199	PIPE, exhaust, assembly (flange welded on pipe).....	1	
		FM-24449-S7	WO-50878	BOLT, hex-hd., S., cd-pltd., 3/8-24NF-2 x 1 3/8.....	1	
01-11	G518-7001420	FM-33800-S7	WO-52542	NUT, reg., hex., S., cd-pltd., 3/8-24NF-2.....	2	
01-11		FM-88032-S7	WO-332515	STUD, S., 3/8-16NC-2 x 1 3/8 x 3/8-24NF-2 (in manifold).....	1	
04-1	3320-GPW-5274	FM-GPW-5274	WO-638058	PLATE, muffler support insulator.....	4	.0072
04-1	3320-GPW-5262	FM-GPW-5262	WO-A-657	STRAP, muffler support (2 required for round type muffler, one for oval type).....	1 or 2	.0955
<b>0401-1—MUFFLER AND EXHAUST PIPE (DEEP MUD TYPE) (Mounted diagonally at Rear of Vehicle)</b>						
	3320-GPW-5265	FM-GPW-5265	WO-A-15498	BRACKET, support, exhaust pipe extension.....	1	
		FM-24327-S7	WO-52132	BOLT, hex-hd., S., 5/16-24NF x 5/8 (exhaust pipe extension support bracket to frame cross member).....	1	.0026
	H001-5419860	FM-24387-S7	WO-5934	BOLT, hex-hd., S., 5/16-24NF-2 x 1 (support bracket to muffler) (GM-100014).....	1	
		FM-33800-S	WO-5910	NUT, hex., S., 5/16-24NF-2.....	2	
	H001-7025711	FM-34806-S7	WO-51833	WASHER, lock, reg., S., 5/16 in.....	2	
			WO-52274	WASHER, plain, S., 5/16 in.....	1	
	3320-GPW-5266	FM-GPW-5266	WO-A-9084	BRACKET, support, muffler rear clamp.....	1	
		FM-24327-S7	WO-52132	BOLT, hex-hd., S., 5/16-24NF-2 x 5/8.....	1	.0026
		FM-33800-S	WO-5910	NUT, hex., S., 5/16-24NF-2.....	1	
	H001-7025711	FM-34806-S7	WO-51833	WASHER, lock, reg., S., 5/16 in.....	1	
	3320-GPW-5253	FM-GPW-5253		BRACKET, support, muffler front clamp (Ford only).....	1	
	9680-A9086		WO-A-9086	BRACKET, support, muffler front clamp (Willys only).....	1	
		FM-24327-S7	WO-52132	BOLT, hex-hd., S., 5/16-24NF-2 x 5/8.....	1	.0026
		FM-33800-S	WO-5910	NUT, hex., S., 5/16-24NF-2.....	1	
	H001-7025711	FM-34806-S7	WO-51833	WASHER, lock, S., 5/16 in.....	1	
	3320-GPW-5276	FM-GPW-5276	WO-636004	CLAMP, exhaust pipe to exhaust pipe extension.....	1	
		FM-24387-S7	WO-5934	BOLT, hex-hd., S., 5/16-24NF-2 x 1.....	1	
		FM-355982-S	WO-53285	NUT, hex., S., Seez-Pruf, 5/16-24NF-2.....	1	
	H001-7025711	FM-34806-S7	WO-51833	WASHER, lock, reg., 5/16 in.....	1	
			WO-52274	WASHER, plain, S., 5/16 in.....	1	
	3320-GPW-5251-B	FM-GPW-5251-B	WO-A-9082	CLAMP, exhaust pipe extension support strap.....	1	
		FM-24387-S7	WO-5934	BOLT, hex-hd., S., 5/16-24NF-2 x 1.....	1	

SNL G-503

70

0401-0401-1

H001-7025711	FM-355982-S	WO-53285	NUT, hex., S., $\frac{5}{16}$ -24NF-2	1	
	FM-34806-S7	WO-51833	WASHER, lock, reg., S., $\frac{5}{16}$ in.	1	
3320-GPW-5264-B	FM-GPW-5264-B	WO-52274	WASHER, plain, S., $\frac{5}{16}$ in.	1	
	FM-24387-S7	WO-A-5753	CLAMP, muffler, rear	1	.163
	FM-355982-S	WO-5934	BOLT, hex-hd., S., $\frac{5}{16}$ -24NF-2 x 1	1	
H001-7025711	FM-34806-S7	WO-53285	NUT, hex., S., Seez-Pruf, $\frac{5}{16}$ -24NF-2	1	
		WO-51833	WASHER, lock, reg., S., $\frac{5}{16}$ in.	1	
		WO-52274	WASHER, plain, S., $\frac{5}{16}$ in.	1	
3320-GPW-5283	FM-GPW-5245-B	WO-A-9142	EXTENSION, exhaust pipe	1	
	FM-GPW-5283	WO-A-658	INSULATOR, exhaust pipe extension	1	
	FM-24367-S2	WO-50929	BOLT, hex-hd., S., $\frac{5}{16}$ -24NF-2 x $\frac{7}{8}$	2	
	FM-355982-S	WO-53285	NUT, hex., S., Seez-Pruf, $\frac{5}{16}$ -24NF-2	2	
H001-7025711	FM-34806-S7	WO-51833	WASHER, lock, S., reg., $\frac{5}{16}$ in.	2	
3320-GPW-5230-C	FM-GPW-5230-C	WO-A-9090	MUFFLER, deep mud, w/tail PIPE, assembly	1	
3320-GPW-5253	FM-GPW-5253	WO-A-9150	PIPE, exhaust, w/FLANGE, flexible CONNECTOR, and INSERT, assembly	1	
3320-GPW-5274	FM-GPW-5274	WO-638058	PLATE, exhaust pipe extension	1	.0072
3320-GPW-5262	FM-GPW-5262	WO-A-657	STRAP, support, exhaust pipe extension clamp	1	.0955