

GROUP 06—ELECTRICAL

0601—GENERATOR (BALL TYPE BEARING) (See also Group 0601-1 and Group 0601-2)

06-1, 2	G121-0110400	FM-GPW-10105	WO-A-1629	ARM, generator brush (AL-GCE-54).....	2	.014
06-1	G121-0110500	FM-GPW-10005	WO-A-1637	ARMATURE, generator, assembly (AL-GEG-2120-F).....	1	4.17
06-1, 2	G121-0115950	FM-GPW-10142	WO-A-1649	BAND, generator, head (AL-GCE-24).....	1	.0272
		FM-34141-S2	WO-6273	NUT, sq., S., No. 10 (0.190)-32NF-2.....	1	
	H001-1030594	FM-27161-S7	WO-A-1650	SCREW, mach., rd-hd., S., cd-pltd., No. 10 (0.190)-32NF-2 x 1 1/4.....	1	
	H012-1300017	FM-B-10094	WO-51248	BEARING, ball, generator (AL-X-295) (ND-1203) (FB-203) (superseded by BEARING, FM-GPW-10094, WO-A-6299).....	2	
06-1, 2	H012-1323017	FM-GPW-10094	WO-A-6299	BEARING, ball, generator (AL-X-1655) (ND-77503) (FB-1203FF) (supersedes BEARING, FM-B-10094, WO-51248).....	2	.505
06-1	G104-1781822	FM-355260-S7	WO-A-1623	BOLT, hex-hd., S., cd-pltd., 1/4-20NF-2 x 5/8 (AL-DA-60) (Note 3).....	1	
06-1	H001-1518007	FM-34805-S2	WO-52706	WASHER, lock, reg., S., 1/4 in.....	1	
		FM-356208-S7	WO-A-1621	WASHER, plain, S., cd-pltd., 1/4 in. (AL-DA-22) (Note 3).....	1	.0425

Note 1—Only for vehicles modified by MWO ORD G503-W7 (see page 3).

Note 2—Only for vehicles modified by MWO ORD G503-W9 (see page 3).

Note 3—Also in KIT, FM-GPW-18363-C, WO-A-9055.

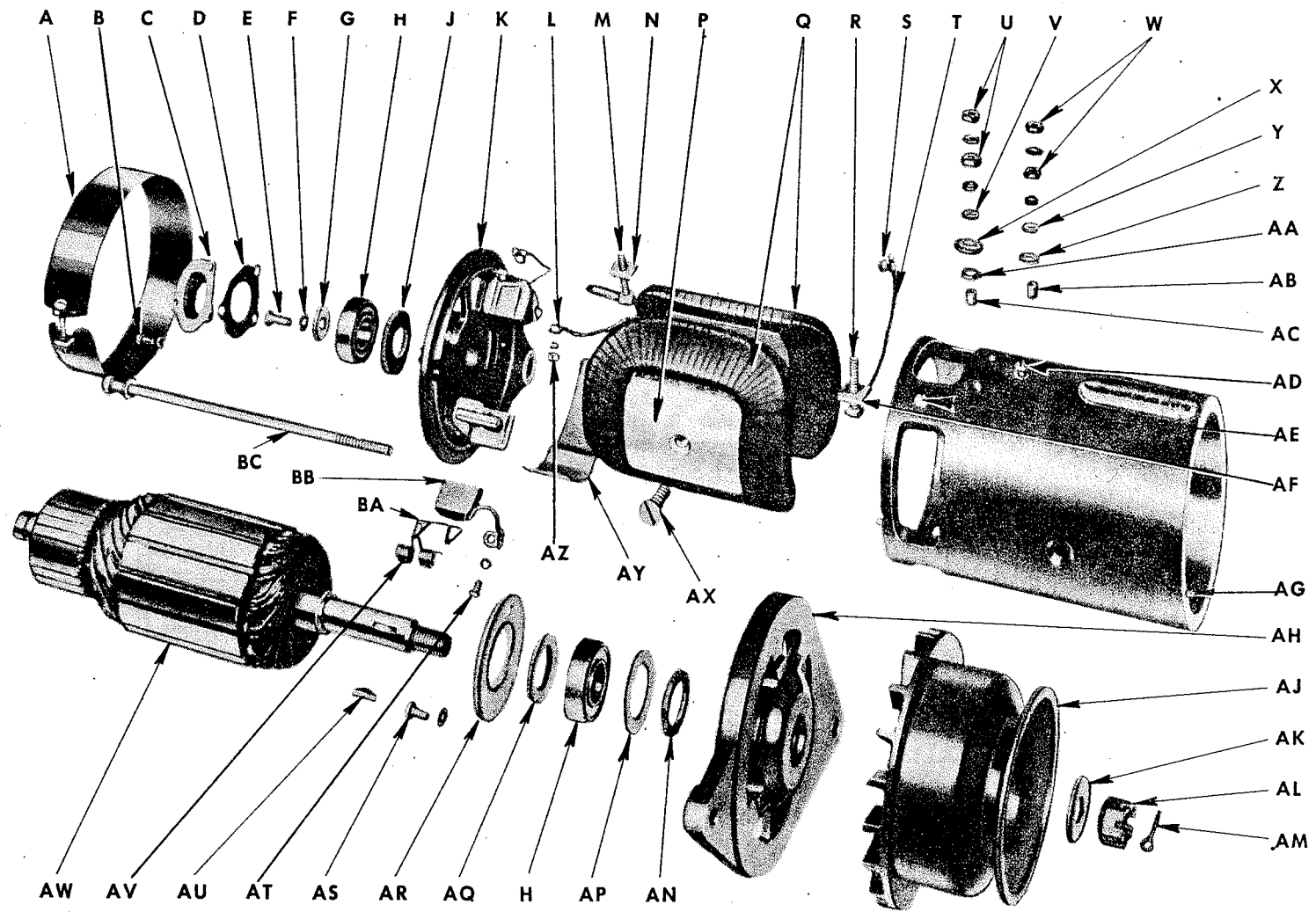


FIGURE 06-1—GENERATOR ASSEMBLY (BEARING TYPE)—EXPLODED VIEW

Key	Part Name	Ford Part No.	Willys Part No.	Group Number
A	BAND	FM-GPW-10142	WO-A-1649	0601
B	SCREW	FM-31588-S7	WO-A-1636	0601
C	COVER	FM-GPW-10118	WO-A-1626	0601
D	GASKET	FM-GPW-10119	WO-A-1625	0601
E	BOLT	FM-355260-S7	WO-A-1623	0601
F	WASHER	FM-34805-S2	WO-52706	0601
G	WASHER	FM-356208-S7	WO-A-1621	0601
H	BEARING	FM-GPW-10094	WO-A-6299	0601
J	WASHER	FM-GPW-10116	WO-A-1624	0601
K	HEAD, assembly	FM-GPW-10050	WO-A-6298	0601
L	TERMINAL		WO-A-1608	0601
M	POST	FM-GPW-10211-B	WO-A-1605	0601
N	WASHER	FM-GPW-10208-B		0601
P	POLE PIECE	FM-GPW-10041	WO-A-1600	0601
Q	COIL, assembly	FM-GPW-10175	WO-A-1604	0601
R	POST	FM-GPW-10211-A	WO-A-1602	0601
S	TERMINAL	FM-GPW-10216	WO-A-1603	0601
T	LEAD, assembly	FM-GPW-10100	WO-A-1601	0601
U	NUT	FM-355883-S7	WO-A-1611	0601
V	WASHER	FM-356264-S7	WO-A-1616	0601
W	NUT	FM-350853-S7	WO-A-1617	0601
X	WASHER	FM-GPW-10208-A	WO-A-1597	0601
Y	WASHER	FM-34703-S7	WO-A-1615	0601
Z	WASHER	FM-GPW-10202-A	WO-A-1593	0601
AA	INSULATOR	FM-GPW-10202-B	WO-A-1591	0601
AB	BUSHING	FM-GPW-10206-A	WO-A-1599	0601

Key	Part Name	Ford Part No.	Willys Part No.	Group Number
AC	BUSHING	FM-GPW-10206-B	WO-A-1598	0601
AD	SCREW	FM-36800-S7	WO-A-6297	0601
AE	SCREW	FM-36009-S7	WO-A-1618	0601
AF	INSULATOR	FM-GPW-10202-C	WO-A-1594	0601
AG	PIN	FM-GPW-10088	WO-A-1609	0601
AH	HEAD, assembly	FM-GPW-10138	WO-A-6300	0601
AJ	PULLEY, assembly	FM-GPW-10061	WO-A-1639	0601
AK	WASHER	FM-GPW-10134	WO-A-1638	0601
AL	NUT	FM-34032-S7	WO-A-1640	0601
AM	PIN	FM-72034-S	WO-A-1642	0601
AN	WASHER	FM-GPW-10212	WO-A-1646	0601
AP	GUARD	FM-GPW-10124	WO-A-1622	0601
AQ	WASHER	FM-78-10212-A	WO-A-1644	0601
AR	RETAINER	FM-GPW-10098	WO-106313	0601
AS	SCREW	FM-36800-S	WO-A-1647	0601
AT	SCREW	FM-26457-S7	WO-52131	0601
AU	KEY	FM-74144-S	WO-A-1641	0601
AV	SPRING	FM-GPW-10057	WO-A-1628	0601
AW	ARMATURE	FM-GPW-10005	WO-A-1637	0601
AX	SCREW	FM-355486-S7	WO-A-1596	0601
AY	INSULATOR	FM-01A-10193	WO-A-1592	0601
AZ	NUT	FM-34051-S7	WO-52615	0601
BA	ARM	FM-GPW-10105	WO-A-1629	0601
BB	BRUSH	FM-GPW-10069	WO-A-1630	0601
BC	SCREW	FM-GPW-10120	WO-A-1590	0601

RA PD 342244A

FIGURE 06-1A—LEGEND FOR 06-1—GENERATOR ASSEMBLY (BEARING TYPE)—EXPLODED VIEW

GROUP 06—ELECTRICAL (Cont'd)

SNL G-503

0601

Figure Number	Official Stock Number	Piece Mark or Part Number		ITEM	Quant. Req'd. per Unit Assy.	Unit Price
		Ford No.	Willys No.			
Col. 1	Col. 2	Col. 3	Col. 4	Col. 5	Col. 6	Col. 7
0601—GENERATOR (BALL TYPE BEARING) (Cont'd) (See also Group 0601-1 and Group 0601-2)						
06-1, 2	G116-0400320	FM-GPW-10069	WO-A-1630	BRUSH, generator (AL-GCE-1012).....	2	.0567
06-1, 2	H001-5147511	FM-26457-S7	WO-52131	SCREW, mach., rd-hd., S., cd-pltd., No. 8 (0.164)-32NC-2 x 1/4.....	2	
06-2	H001-1518004	FM-34802-S2	WO-52705	WASHER, lock, reg., S., No. 8.....	2	
	2980-GCE-2012S	FM-GPW-18274	WO-A-1651	BRUSH SET, generator (AL-GCE-2012S).....	1	
				(Consists of: 2 BRUSH)		
06-1, 2	G121-0127843	FM-GPW-10069 FM-GPW-10206-B	WO-A-1630 WO-A-1598	BUSHING, insulating, generator armature terminal (0.250 x 0.312 x 5/16) (AL-GCT-25) (Note 2).....	1	
06-1, 2	G121-0442942	FM-GPW-10206-A	WO-A-1599	BUSHING, insulating, generator field terminal (0.203 x 0.305 x 5/16) (AL-GCY-25) (Note 2).....	1	.008
06-1, 2	G121-0139650	FM-GPW-10175	WO-A-1604	COIL, field, generator, left and right, assembly (AL-GEB-1005A) (Note 2).....	1	
	G121-0139660	FM-GPW-10192	WO-A-1606	COIL, field, generator, left, assembly (AL-GEB-1007A).....	1	
	G121-0139665	FM-GPW-10191	WO-A-1607	COIL, field, generator, right, assembly (AL-GEB-1008B).....	1	
06-1		FM-GPW-10118	WO-A-1626	COVER, generator commutator end cap (AL-GBJ-32A).....	1	
06-1	H001-5127331	FM-31588-S7	WO-A-1636	SCREW, mach., oval-fil-hd., S., cd-pltd., No. 10 (0.190)-32NF-2 x 5/16 (AL-8X-870) (Note 1).....	3	
				WASHER, lock, reg., S., cd-pltd., No. 10 (0.190) (AL-12X-544).....	3	
06-1	H001-7025621	FM-34803-S7	WO-A-1635	GASKET, generator commutator end cap cover (AL-GBJ-25) (Note 1).....	1	.0026
	G121-0193758	FM-GPW-10119	WO-A-1625	GENERATOR, assembly (AL-GEG-5001) (superseded by GENERATOR, assembly, FM-GPW-10000-A3, WO-A-10048) (Group 0601-1).....	1	
	G503-0196299		WO-A-1246	GENERATOR, assembly (AL-GEG-5002D) (superseded by GENERATOR, assembly, FM-GPW-10000-A3, WO-A-10048) (Group 0601-1).....	1	14.71
06-1, 2	G121-0205450	FM-GPW-10124	WO-A-1622 WO-A-1627	GUARD, oil, generator (flat, S., 0.986 I.D. x 1.570 O.D. x 0.020 thk.) (AL-DA-39).....	1	
				HEAD, generator, commutator end, assembly (superseded by HEAD, assembly, FM-GPW-10050, WO-A-6298).....	1	
06-1	2980-GCE-2118	FM-GPW-10050	WO-A-6298	HEAD, generator, commutator end, assembly (AL-GCE-2118) (supersedes HEAD, assembly, WO-A-1627).....	1	1.482
			WO-A-1643	HEAD, generator, drive end, assembly (superseded by HEAD, assembly, FM-GPW-10138, WO-A-6300).....	1	
06-1, 2	2980-GCE-1125	FM-GPW-10138	WO-A-6300	HEAD, generator, drive end, assembly (AL-GCE-1125) (supersedes HEAD, assembly, WO-A-1643).....	1	1.694
	2980-GCE-125	FM-GPW-10139	WO-A-6301	HEAD, generator, drive end (AL-GCE-125).....	1	
06-1, 2	G121-0382182	FM-GPW-10120	WO-A-1590	SCREW, generator head (AL-DK-23).....	2	.0534
	H001-7025711	FM-34806-S7	WO-51833	WASHER, lock, reg., S., cd-pltd., 5/16 in.....	2	
06-1, 2	G121-0232700	FM-01A-10193	WO-A-1592	INSULATOR, generator field connection (AL-GAL-44) (Note 2).....	1	

78

GROUP 06—ELECTRICAL (Cont'd)

1090

Figure Number	Official Stock Number	Piece Mark or Part Number		ITEM	Quant. Req'd. per Unit Assy.	Unit Price
		Ford No.	Willys No.			
Col. 1	Col. 2	Col. 3	Col. 4	Col. 5	Col. 6	Col. 7
				0601—GENERATOR (BALL TYPE BEARING) (Cont'd) (See also Group 0601-1 and Group 0601-2)		
				KIT, repair, generator (Cont'd)		
		FM-78-10212-A	WO-A-1644	WASHER, felt drive end head, inner		
		FM-GPW-10212	WO-A-1646	WASHER, felt, drive end head, outer		
		FM-356436-S	WO-A-1396	WASHER, generator support		
		FM-356371-S7	WO-A-1401	WASHER, generator support		
		FM-GPW-10202-A	WO-A-1593	WASHER, insulating, field terminal		
		FM-GPW-10208-A	WO-A-1597	WASHER, insulating		
		FM-356263-S7	WO-A-1612	WASHER, lock, armature terminal screw		
		FM-34806-S2	WO-A-1619	WASHER, lock, No. 7, bond		
		FM-34806-S7	WO-A-5288	WASHER, lock, generator frame)		
		FM-GPW-18363-B	WO-A-7839	KIT, repair, generator (superseded by KIT, FM-GPW-18363-C, WO-A-9055)	1	2.623
	3320-GPW-18363-C	FM-GPW-18363-C	WO-A-9055	KIT, repair, generator (supersedes KITS, FM-GPW-18363, WO-A-6755; FM-GPW-18363-B, WO-A-7839)	1	
				(Consists of:		
		FM-GPW-10069	WO-A-1630	2 BRUSH		
		FM-GPW-10119	WO-A-1625	1 GASKET, cover		
		FM-34141-S7	WO-A-1589	1 NUT		
		FM-31588-S7	WO-A-1636	3 SCREW, cover		
		FM-27161-S7	WO-A-1650	1 SCREW		
		FM-26457-S7	WO-A-1632	2 SCREW, lead		
		FM-36800-S	WO-A-1647	3 SCREW, retainer		
		FM-355260-S7	WO-A-1623	1 SCREW, retaining		
		FM-GPW-10057	WO-A-1628	2 SPRING, brush		
		FM-GPW-10116	WO-A-1624	1 WASHER, felt		
		FM-78-10212-A	WO-A-1644	1 WASHER, felt		
		FM-GPW-10212	WO-A-1646	1 WASHER, felt		
		FM-34803-S7	WO-A-1635	3 WASHER, lock		
		FM-34805-S7-8	WO-5045	1 WASHER, lock		
		FM-34806-S7	WO-A-5288	1 WASHER, lock		
		FM-34802-S2	WO-51532	2 WASHER, lock		
		FM-34803-S2	WO-52960	3 WASHER, lock		
		FM-356208-S7	WO-A-1621	1 WASHER, retaining)		
06-1	G121-0273850	FM-GPW-10100	WO-A-1601	LEAD, generator armature terminal, assembly (AL-GEB-44) (Note 1)	*1	
	M003-0109723	FM-B-10141	WO-302347	OILER, generator (press-in type) (AL-X-489)	3	
06-1, 2	G121-0342160	FM-GPW-10041	WO-A-1600	PIECE, pole, generator (AL-GEB-29)	2	

SNL G-503

80

06-1, 2	G121-0382171	FM-355486-S7	WO-A-1596	SCREW, special, ck-hd., S., cd-pltd., $\frac{3}{8}$ -16 x 0.90 (AL-GBY-38A) (Note 1)	2	
06-1, 2		FM-GPW-10088	WO-A-1609	PIN, dowel, S., $\frac{1}{8}$ x $\frac{1}{16}$ (generator commutator end head) (AL-MN-21)	2	
06-1, 2	G121-0342320	FM-GPW-10211-B	WO-A-1605	POST, generator field, terminal (No. 10 (0.190)-32NF) (AL-GEB-58)	1	.0059
06-1, 2		FM-350853-S7	WO-A-1617	NUT, mach. screw, hex., S., cd-pltd., No. 10 (0.190)-32NF (Note 1)	2	
06-1, 2		FM-34703-S7	WO-A-1702	WASHER, plain, S., cd-pltd., U. S. std., No. 10 (0.190)	1	
06-2	H001-7025621	FM-34803-S7	WO-52221	WASHER, lock, reg., S., cd-pltd., No. 10 (0.190) (Note 1)	2	
06-1, 2	G121-0342310	FM-GPW-10211-A	WO-A-1602	POST, generator armature terminal (No. 14 (0.242)-24NC) (AL-GEB-27) (Note 1)	1	.0083
06-1, 2		FM-355883-S7	WO-A-1611	NUT, mach. screw, hex., S., cd-pltd., No. 14 (0.242)-24NC (AL-8X-177) (Note 1)	2	
		FM-34705-S7	WO-52702	WASHER, flat, S., cd-pltd., $\frac{1}{4}$ in. (AL-8X-361)	1	
06-2		FM-356263-S7	WO-A-1612	WASHER, lock, S., cd-pltd., No. 14 (0.242) (AL-12X-193) (Note 1)	1	
06-1, 2		FM-356264-S7	WO-A-1616	WASHER, special, S., cd-pltd., 0.026 I.D. x 0.50 O.D.	1	
	2980-SP-484	FM-GPW-10130	WO-A-9492	PULLEY, drive, generator, w/o SPACER (AL-SP-484)	1	1.825
06-1, 2	2980-SP-484A	FM-GPW-10061	WO-A-1639	PULLEY, drive, generator, w/SPACER, assembly (AL-SP-484A)	1	
06-1, 2	H001-0518011	FM-74144-S	WO-A-1641	KEY, Woodruff, S., $\frac{1}{8}$ x $\frac{3}{8}$ (GM-103905) (AL-X-260)	1	
06-1, 2	2980-X-156	FM-34032-S7	WO-A-1640	NUT, hex., slotted, hvy., alloy-S., $\frac{1}{2}$ -20NF-2 (AL-X-156)	1	
06-1, 2	H001-0811040	FM-72034-S	WO-A-1642	PIN, cotter, split, S., $\frac{3}{32}$ x 1 (GM-103374) (AL-X-404)	1	
06-1, 2	H001-7043801	FM-GPW-10134	WO-A-1638	WASHER, S., cd-pltd., $1\frac{1}{32}$ I.D. x $1\frac{1}{4}$ O.D. x 0.095 thk. (AL-GEW-31)	1	
	G502-0367841	FM-GPW-10214	WO-109173	RETAINER, generator commutator end head felt washer	1	
06-1, 2		FM-GPW-10098	WO-106313	RETAINER, generator drive end bearing	1	.0448
	G156-0232827	FM-GPW-10121	WO-108515	RETAINER, generator drive end head felt washer	1	
06-1, 2	G154-0382036	FM-36009-S7	WO-A-1618	SCREW, generator ground (mach., fl-hd., S., cd-pltd., No. 6 (0.138)-32NC-2 x $\frac{1}{16}$) (AL-8X-1420) (Note 1)	1	
06-1, 2	H001-0716530	FM-34051-S7	WO-52615	NUT, mach. screw, hex., S., cd-pltd., No. 6 (0.138)-32NC-2 (Note 1)	1	
06-2	H001-7025561	FM-34801-S7	WO-A-1613	WASHER, lock, reg., S., cd-pltd., No. 6 (0.138) (AL-12X-194) (Note 1)	1	
06-1, 2	G116-1782002	FM-36800-S	WO-A-1647	SCREW, generator drive end bearing retainer (rd-hd., S., No. 10 (0.190)-32NF-2 x $\frac{3}{8}$) (AL-8X-311) (Note 2)	3	
06-2	H001-7025621	FM-34803-S7	WO-52221	WASHER, lock, S., cd-pltd., SAE std., No. 10 (0.190) (Note 1)	3	
06-1, 2	H001-4135681	FM-36800-S7	WO-A-6297	SCREW, generator ground (rd-hd., S., cd-pltd., No. 10 (0.190)-32NF-2 x $\frac{3}{8}$) (AL-8X-1368)	1	
06-2		FM-GPW-10035	WO-A-8842	SPACER, generator shaft (AL-GEG-31)	1	
06-1, 2	G104-1789657	FM-GPW-10057	WO-A-1628	SPRING, generator brush (AL-GCE-53)	2	.0169
06-1, 2	G121-0398703	FM-GPW-10216	WO-A-1603	TERMINAL, generator armature lead (AL-X-847) (Willys only)	1	
	G154-0398792	FM-GPW-10218	WO-A-1608	TERMINAL, generator field (AL-X-959) (Willys only)	1	
06-1, 2	H001-7043681	FM-34705-S2	WO-52702	WASHER, generator armature terminal (flat, S., $\frac{1}{4}$ in.) (AL-8X-361)	1	
06-1	G121-0442945	FM-GPW-10116	WO-A-1624	WASHER, generator commutator end, inner (felt, $\frac{3}{4}$ x $1\frac{1}{16}$ x $\frac{1}{8}$) (AL-DH-7) (Note 2)	1	
06-1, 2	G121-0442946	FM-78-10212-A	WO-A-1644	WASHER, generator drive end head, inner (felt, $1\frac{1}{16}$ x $1\frac{1}{16}$ x $\frac{1}{8}$) (AL-GAU-31) (Note 2)	1	
06-1, 2	G121-0442946	FM-GPW-10212	WO-A-1646	WASHER, generator drive end head, outer (felt, $\frac{7}{8}$ x $1\frac{1}{4}$ x $\frac{1}{8}$) (AL-GT-78) (Note 2)	1	
06-1, 2	G121-0232750	FM-GPW-10208-A	WO-A-1597	WASHER, insulating, generator armature terminal, outer ($1\frac{1}{64}$ x $\frac{9}{16}$ x $\frac{1}{16}$) (AL-GC-26) (Note 2)	1	
06-1, 2	G121-0232730	FM-GPW-10202-A	WO-A-1593	WASHER, insulating, generator field terminal, outer ($1\frac{3}{64}$ x $\frac{9}{16}$ x $\frac{1}{16}$) (AL-GBW-34) (Note 2)	1	

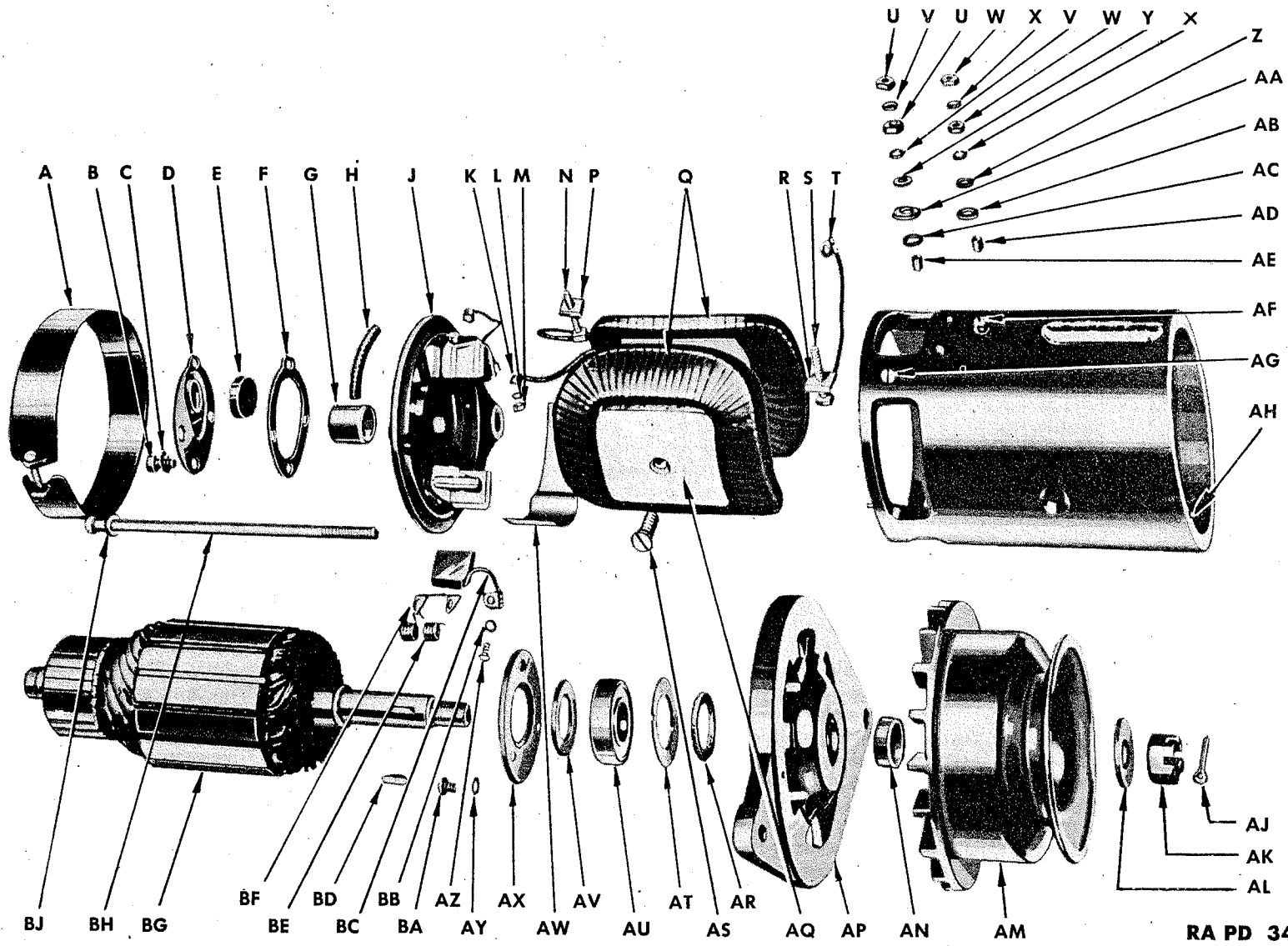


FIGURE 06-2—GENERATOR ASSEMBLY (BUSHING TYPE)—EXPLODED VIEW

RA PD 342250

Key	Part Name	Ford Part No.	Willys Part No.	Group Number
A	BAND	FM-GPW-10142	WO-A-1649	0601
B	SCREW	FM-31061-S7	WO-A-7803	0601-1
C	WASHER	FM-34802-S7	WO-A-10294	0601-1
D	COVER	FM-GPW-10119-B	WO-A-10292	0601-1
E	PLUG	FM-GPW-10112	WO-A-10293	0601-1
F	GASKET	FM-GPW-10122	WO-A-1787	0601-1
G	BEARING	FM-GPW-10128	WO-A-1793	0601-1
H	WICK	FM-GPW-10147	WO-A-1785	0601-1
J	HEAD	FM-GPW-10129-B	WO-A-10291	0601-1
K	TERMINAL	FM-GPW-10218	WO-A-1608	0601
L	WASHER	FM-34801-S7	WO-A-1613	0601
M	NUT	FM-34051-S7	WO-52615	0601
N	POST	FM-GPW-10211-B	WO-A-1605	0601
P	INSULATOR	FM-GPW-10208-B		0601
Q	COIL, assembly	FM-GPW-10175	WO-A-1604	0601
R	INSULATOR	FM-GPW-10202-C	WO-A-1594	0601
S	POST	FM-GPW-10211-A	WO-A-1602	0601
T	TERMINAL	FM-GPW-10216	WO-A-1603	0601
U	NUT	FM-355883-S7	WO-A-1611	0601
V	WASHER	FM-356263-S7	WO-A-1612	0601
W	NUT	FM-350853-S7	WO-A-1617	0601
X	WASHER	FM-34803-S7	WO-52221	0601
Y	WASHER	FM-356264-S7	WO-A-1616	0601
Z	WASHER	FM-34703-S7	WO-A-1615	0601
AA	WASHER	FM-GPW-10208-A	WO-A-1597	0601
AB	WASHER	FM-GPW-10202-A	WO-A-1593	0601
AC	INSULATOR	FM-GPW-10202-B	WO-A-1591	0601
AD	BUSHING	FM-GPW-10206-A	WO-A-1599	0601
AE	BUSHING	FM-GPW-10206-B	WO-A-1598	0601

Key	Part Name	Ford Part No.	Willys Part No.	Group Number
AF	SCREW	FM-36800-S7	WO-A-6297	0601
AG	SCREW	FM-36009-S7	WO-A-1618	0601
AH	PIN	FM-GPW-10088	WO-A-1609	0601
AJ	PIN	FM-72034-S	WO-A-1642	0601
AK	NUT	FM-34032-S7	WO-A-1640	0601
AL	WASHER	FM-GPW-10134	WO-A-1638	0601
AM	PULLEY, assembly	FM-GPW-10061	WO-A-1639	0601
AN	SPACER	FM-GPW-10035	WO-A-8842	0601
AP	HEAD	FM-GPW-10138	WO-A-6300	0601
AQ	POLE PIECE	FM-GPW-10041	WO-A-1600	0601
AR	WASHER	FM-GPW-10212	WO-A-1646	0601
AS	SCREW	FM-355486-S7	WO-A-1596	0601
AT	GUARD	FM-GPW-10124	WO-A-1622	0601
AU	BEARING	FM-GPW-10094	WO-A-6299	0601
AV	WASHER	FM-78-10212-A	WO-A-1644	0601
AW	INSULATION	FM-01A-10193	WO-A-1592	0601
AX	RETAINER	FM-GPW-10098	WO-106313	0601
AY	WASHER	FM-34803-S7	WO-52221	0601
AZ	SCREW	FM-26457-S7	WO-52131	0601
BA	SCREW	FM-36800-S	WO-A-1647	0601
BB	WASHER	FM-34802-S2	WO-52705	0601
BC	BRUSH	FM-GPW-10069	WO-A-1630	0601
BD	KEY	FM-74144-S	WO-A-1641	0601
BE	SPRING	FM-GPW-10057	WO-A-1628	0601
BF	ARM	FM-GPW-10105	WO-A-1629	0601
BG	ARMATURE	FM-GPW-10005-B	WO-A-10295	0601-1
BH	SCREW	FM-GPW-10120	WO-A-1590	0601
BJ	WASHER	FM-34806-S7	WO-51833	0601

RA PD 342250A

FIGURE 06-2A—LEGEND FOR 06-2—GENERATOR ASSEMBLY (BUSHING TYPE)—EXPLODED VIEW

GROUP 06—ELECTRICAL (Cont'd)

0601-1

SNL G-503

84

Figure Number	Official Stock Number	Piece Mark or Part Number		ITEM	Quant. Req'd. per Unit Assy.	Unit Price
		Ford No.	Willys No.			
Col. 1	Col. 2	Col. 3	Col. 4	Col. 5	Col. 6	Col. 7
				0601-1 GENERATOR (BUSHING TYPE BEARING) (See also Group 0601-2)		
				NOTE: The following parts are peculiar to WO-A-10048, FM-GPW-10000-A3, AL-GEG-5101-D GENERATOR. For the component parts of WO-A-5992, FM-GPW-10000-A, AL-GEG-5002-D GENERATOR see GROUP 0601. All parts not listed below are the same on both generators and will be found in GROUP 0601.		
06-2		FM-GPW-10005-B	WO-A-10295	ARMATURE, generator, assembly (AL-GEG-2134-F).....	1	
06-2	H012-1900060	FM-GPW-10128	WO-A-1793	BEARING, generator commutator end (absorbent bz., 0.626 x 0.745 x 0.968) (AL-GBF-79).....	1	
06-2		FM-GPW-10119-B	WO-A-10292	COVER, generator commutator end, w/PLUG, assembly (AL-GEG-1030).....	1	
06-2	H001-5125821	FM-31061-S7	WO-A-7803	SCREW, mach., fil-hd., S., cd-pltd., No. 8 (0.164)-32NC-2 x 5/16 (AL-8X-888) (Note 3).....	4	
06-2	H001-7025591	FM-34802-S7	WO-A-10294	WASHER, lock, reg., S., cd-pltd., No. 8 (0.164) (Note 3).....	4	
	F227-0113360	FM-GPW-10087	WO-A-1786	COVER, wick, generator commutator end (AL-GAR-98-A) (Note 3).....	1	
06-2	G085-1100877	FM-GPW-10122	WO-A-1787	GASKET, cover, generator commutator end (AL-GBW-69) (Note 3).....	1	
	G085-1100878	FM-GPW-10086	WO-A-1789	GASKET, generator commutator end cover oil guard (AL-GBW-73) (Note 3).....	1	
01-2		FM-GPW-10000-A3	WO-A-10048	GENERATOR, assembly (AL-GEG-5101).....	1	
	G085-1305451	FM-GPW-10082	WO-A-1788	GUARD, oil, generator commutator end cover (AL-GBW-72) (Note 3).....	1	
06-2		FM-GPW-10129-B	WO-A-10291	HEAD, generator commutator end, assembly (AL-GCE-1133-A).....	1	
	2980-KIT-119	FM-GPW-18363-D	WO-A-15485	INSULATOR, generator armature terminal post, outer (AL-MAK-49).....	1	
			WO-A-10369	KIT, repair, generator (AL-KIT-119).....	as req.	
				(Consists of:		
		FM-GPW-18274	WO-A-1651	1 BRUSH SET, generator		
		FM-GPW-10087	WO-A-1786	1 COVER, oil wick		
		FM-GPW-10122	WO-A-1787	1 GASKET, cover		
		FM-GPW-10086	WO-A-1789	1 GASKET, oil retaining		
		FM-GPW-10082	WO-A-1788	1 GUARD, oil		
		FM-34141-S7	WO-A-1589	1 NUT, cover band screw		
		FM-GPW-10112	WO-A-10293	1 PLUG, commutator end cover (felt)		
		FM-26457-S7	WO-A-1632	2 SCREW, brush lead		
		FM-31061-S7	WO-A-7803	4 SCREW, commutator end cover		
		FM-36800-S7	WO-A-1647	3 SCREW, drive end bearing retainer		
		FM-27161-S7	WO-A-1650	1 SCREW, head band		
		FM-GPW-10057	WO-A-1628	2 SPRING, generator brush		
		FM-78-10212-A	WO-A-1644	1 WASHER, generator drive end head, inner (felt)		
		FM-GPW-10212	WO-A-1646	1 WASHER, generator drive end head, outer (felt)		

06-2

06-2

85

SNL G-503

FM-34803-S
 FM-34802-S
 FM-34802-S7
 FM-34806-S7
 FM-GPW-10147
 FM-GPW-10112
 FM-GPW-10216
 FM-GPW-10147

WO-5168
 WO-51532
 WO-A-10294
 WO-A-5288
 WO-A-1785
 WO-A-10293
 WO-A-10290
 WO-A-1785

3 WASHER, lock, generator bearing retaining bolt
 2 WASHER, lock, generator brush lead screw
 4 WASHER, lock, generator commutator end cover screw
 2 WASHER, lock, generator frame screw
 1 WICK, oil generator commutator end)
 PLUG, generator commutator end cover (felt) (AL-GEG-33) (Note 3)..... 1
 TERMINAL, generator armature lead (br., tinned, 0.175 in hole) (AL-X-975)..... 1
 WICK, oil, generator commutator end..... 1

0601-2—GENERATOR (12 VOLT)

(Only for vehicles modified by MWO ORD G503-W7. See page 00)

G134-0110476 FM-2GAS-10005-A WO-A-15339
 3320-GPA-10142 FM-GPA-10142
 FM-34141-S
 FM-27161-S
 H012-1304020 FM-99B-10094
 H012-1303017 FM-B-10094
 FM-23454-S8
 FM-33923-S8
 FM-34806-S8
 FM-34706-S8
 3320-GAS-10120-A FM-GAS-10120-A
 FM-GB-33415-A
 H001-1518008 FM-34806-S
 G104-1526219 FM-19B-10070-B
 FM-63397-S8
 FM-31578-S8
 H001-7025621 FM-34803-S8
 FM-2GAS-10206
 FM-19B-10202
 FM-19B-10118
 FM-355157-S
 H001-7025621 FM-34803-S7
 FM-99B-10175
 FM-19B-10116
 FM-19B-10119
 3320-GPWS-10000 FM-GPWS-10000 WO-A-7820
 FM-19B-10051-A
 FM-19B-10052-A
 FM-63407-S7
 FM-99-B-10055
 FM-19B-10048
 FM-99B-10193

ARMATURE, generator, assembly..... 1
 BAND, cover, generator..... 1
 NUT, mach-screw, sq., S., No. 10 (0.190)-32NC-2 (Note 1)..... 1
 SCREW, mach., rd-hd., S., No. 10 (0.190)-32NC-2 x 1¼ (Note 1)..... 1
 BEARING, ball, generator drive end (No. 304, type A, annular, single row, medium series, 0.7874 bore, 2.0472 O.D., 0.5906 width)..... 1
 BEARING, ball, generator commutator end (No. 203, type A, annular, single row, light series, 0.6693 bore, 1.5748 O.D., 0.4724 width)..... 1
 BOLT, generator terminal (rd-hd., sq-neck., S., zn-pltd., 5/16-24NF-2 x 1 3/8) (Note 2)..... 1
 NUT, reg., hex., S., zn-pltd., 5/16-24NF-2 (Note 2)..... 2
 WASHER, lock, reg., S., zn-pltd., 5/16 in. (Note 2)..... 2
 WASHER, plain, S., zn-pltd., 5/16 in. (Note 2)..... 1
 BOLT, through, generator..... 2
 NUT..... 2
 WASHER, lock, reg., S., 5/16 in. (GM-103320)..... 2
 BRUSH, generator, assembly (Note 1)..... 2
 RIVET, oval-hd., tubular, S., zn-pltd., 3/16-11/16..... 3
 SCREW, mach., fil-hd., S., zn-pltd., No. 10 (0.190)-32NC-2 x 3/16 (Note 1)..... 2
 WASHER, lock, reg., S., zn-pltd., No. 10 (0.190) (Note 1)..... 2
 BUSHING, generator armature terminal insulator (Note 2)..... 1
 BUSHING, generator field terminal insulator (Note 2)..... 1
 CAP, generator commutator end plate..... 1
 SCREW, mach., fil-hd., S., No. 10 (0.190)-32NC-2 x 1/2 (Note 1)..... 3
 WASHER, lock, reg., S., cd-pltd., No. 10 (0.190) (GM-120217) (Note 1)..... 3
 COIL, field, assembly (Note 2)..... 1
 GASKET, generator commutator end bearing cap (Note 1)..... 1
 GASKET, generator commutator end plate cap (Note 1)..... 1
 GENERATOR, 12V., assembly (less pulley but w/castellated NUT and Woodruff KEY)..... 1
 HOLDER, generator brush, assembly..... 1
 HOLDER, generator brush, assembly..... 1
 RIVET, oval-hd., tubular, S., cd-pltd., 3/16 x 3/4..... 3
 INSULATOR, generator brush holder..... 1
 INSULATOR, generator brush holder rivet..... 1
 INSULATOR, generator field coil connecting wire (Note 2)..... 1

Note 1—Also in KIT, FM-GPA-18363-B. Note 2—Also in KIT, FM-GPA-18342. Note 3—Also in KIT, FM-GPW-18363-D, WO-A-10369.

0601-1-0601-2

GROUP 06—ELECTRICAL (Cont'd)

SNL G-503

0601-2

Figure Number	Official Stock Number	Piece Mark or Part Number		ITEM	Quant. Reqd. per Unit Assy.	Unit Price
		Ford No.	Willys No.			
Col. 1	Col. 2	Col. 3	Col. 4	Col. 5	Col. 6	Col. 7
				0601-2—GENERATOR (12 VOLT) (Cont'd)		
	3320-GPA-18363-B	FM-81A-10208		INSULATOR, generator terminal screw, inner (<i>Note 2</i>).....	1	
		FM-GPA-18363-B		KIT, repair, generator.....	1	
				(Consists of:		
			FM-19-B-10070-B		2 BRUSH, generator, assembly	
			FM-19-B-10116		2 GASKET, bearing cap	
			FM-19-B-10119		1 GASKET, end plate	
			FM-74175-S7		1 KEY, Woodruff	
			FM-34039-S		1 NUT, armature shaft	
			FM-34141-S		1 NUT, cover band screw	
			FM-19-B-10212		1 OIL SEAL, commutator end, inner	
			FM-19-B-10122		1 OIL SEAL, drive end, outer	
			FM-19-B-10214		1 RETAINER, oil seal, inner	
			FM-99-B-10121		2 RETAINER, oil seal, outer	
			FM-31578-S8		2 SCREW, generator brush	
		FM-27161-S		1 SCREW, cover band		
		FM-355157-S		3 SCREW, end plate		
		FM-99B-10057		2 SPRING, brush		
		FM-2GAS-10117		1 STOP, generator bearing		
		FM-34803-S7		2 WASHER, generator brush screw		
		FM-34803-S7		3 WASHER, end plate screw)		
	3320-GPA-18342	FM-GPA-18342		KIT, repair, generator field coil.....	1	
				(Consists of:		
			FM-23454-S8		1 BOLT, generator terminal	
			FM-2GAS-10206		1 BUSHING, insulator, armature terminal	
			FM-19B-10202		1 BUSHING, insulator, field terminal	
			FM-GPA-10175		1 COIL, field, assembly	
			FM-99B-10193		1 INSULATOR, field coil connection	
			FM-81A-10208		1 INSULATOR, terminal screw	
			FM-33923-S8		2 NUT, terminal bolt	
			FM-34079-S8		2 NUT, field and ground terminal	
			FM-81A-10211		1 SCREW, field terminal	
			FM-99B-10044		8 SCREW, pole piece	
			FM-34703-S8		2 WASHER, terminal, No. 10	
			FM-34706-S8		1 WASHER, terminal, 5/16 in.	
		FM-34803-S8		1 WASHER, lock, terminal, No. 10		
		FM-34806-S2		1 WASHER, lock, terminal, 3/16 in.)		

88

GROUP 06—ELECTRICAL (Cont'd)

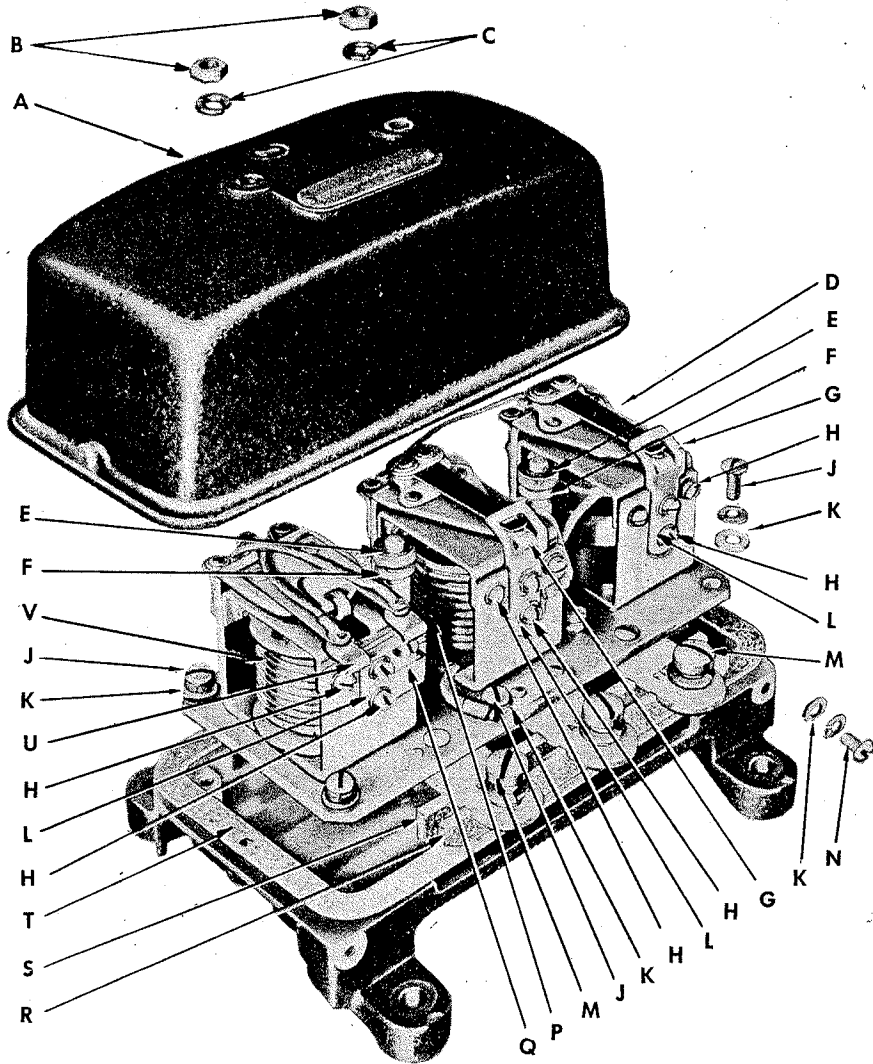
Figure Number	Official Stock Number	Piece Mark or Part Number		ITEM	Quant. Reqd. per Unit Assy.	Unit Price
		Ford No.	Willys No.			
Col. 1	Col. 2	Col. 3	Col. 4	Col. 5	Col. 6	Col. 7
				0601A—GENERATOR (6 VOLT) ATTACHING PARTS (Cont'd)		
				INSULATOR, generator support (rubber, 1 1/16 O.D. x 1/2 I.D.) (Cont'd)		
		FM-356371-S7	WO-A-1401	WASHER, generator support insulator (2 1/64).....	2	
		FM-356436-S	WO-A-1396	WASHER, generator support (2 3/64).....	2	.0042
		FM-GPW-10155	WO-A-1469	SPRING, generator brace.....	1	.0399
		FM-GPW-10166	WO-A-1392	SUPPORT, generator, assembly.....	1	.31
		FM-355496-S	WO-633949	BOLT, hex-hd., S., 3/8-16NC-2 x 7/8.....	2	.0123
	H001-1518009	FM-34807-S2	WO-5010	WASHER, lock, reg., S., 3/8 in. (GM-103321).....	2	
				0601A-1—GENERATOR (12 VOLT) ATTACHING PARTS (Only for vehicles modified by MWO ORD G503-W7)		
	3320-350329-S2	FM-350329-S2		BOLT, generator brace to bracket.....	1	
	3320-350341-S2	FM-350341-S2		BOLT, mounting, generator, front.....	1	
	3320-350340-S2	FM-350340-S2		BOLT, mounting, generator, rear.....	1	
		FM-GPA-10145		BRACE, generator.....	1	
		FM-GPWS-10146-B		BRACKET, generator brace.....	1	
		FM-GPW-10178-A		INSULATOR, generator support.....	2	
	3320-GPW-6074	FM-GPW-6074		NUT, special, shoulder, 1/16-20 (generator mounting bolt).....	2	
	3320-GPW-10027	FM-GPW-10027		SPACER, generator brace.....	1	
		FM-GPWS-10149		SPACER, mounting, generator front end plate.....	1	
		FM-GPA-10166		SUPPORT, generator, assembly.....	1	
		FM-355496-S		SCREW, cap, hex-hd., S., 3/8-16NC-2 x 9/16.....	2	
		FM-34807-S		WASHER, lock, reg., S., 3/8 in.....	2	
	3320-351373-S2	FM-351373-S2		WASHER, special, flat, 3/8 in.....	2	
				0601B—GENERATOR REGULATOR (6 VOLT)		
	G502-0110522	FM-GPW-10455	WO-A-7808	ARMATURE, generator current regulator, assembly (AL-VRY-1061B) (Note 1).....	1	
		FM-GPW-10540	WO-A-7800	ARMATURE, generator cut-out relay (AL-VRY-1043) (Note 2).....	1	
	G502-0110523	FM-GPW-10551	WO-A-7809	ARMATURE, generator voltage regulator, assembly (AL-VRY-1080B) (Note 3).....	1	
06-3			WO-A-7807	BRACKET, adjusting, generator current and voltage regulator coil, assembly (AL-VRA-1060).....	2	
	H001-5125861	FM-31053-S7	WO-A-7802	SCREW, mach., fil-hd., S., cd-pltd., No. 8 (0.164)-32NC-2 x 1/16 (AL-8X-878) (Notes 1 and 3).....	4	
06-3	H001-5125821	FM-31037-S7	WO-A-7803	SCREW, mach., fil-hd., S., cd-pltd., No. 8 (0.164)-32NC-2 x 5/16 (AL-8X-888).....	8	
	H001-1518004	FM-34842-S7	WO-51532	WASHER, lock, S., No. 8 (0.164) (AL-X-195) (Notes 1 and 3).....	12	
	H001-7043591	FM-34702-S7	WO-A-1666	WASHER, plain, S., cd-pltd., No. 8 (0.164) (AL-8X-350) (Notes 1 and 3).....	8	

Note 1—Also in KIT, FM-GPW-18299, WO-A-7805. Note 2—Also in KIT, FM-GPW-18298, WO-A-7794. Note 3—Also in KIT, FM-GPW-18311, WO-A-7810.

0601A-0601B

SNL G-503

88



Key	Part Name	Ford Part No.	Willys Part No.	Group No.
A	COVER		WO-A-9042	0601B
B	NUT		WO-A-9040	0601B
C	WASHER		WO-A-9041	0601B
D	COIL, assembly		WO-A-9049	0601B
E	WASHER		WO-A-9043	0601B
F	WASHER		WO-A-1616	0601B
G	BRACKET		WO-A-7807	0601B
H	SCREW	FM-31037-S7	WO-A-7803	0601B
J	SCREW		WO-A-8993	0601B
K	WASHER		WO-A-5262	0601B
L	WASHER	FM-34702-S7	WO-A-1666	0601B
M	SCREW	FM-355427-S7	WO-A-9050	0601B
N	SCREW		WO-A-1620	0601B
P	COIL, assembly		WO-A-9051	0601B
Q	INSULATION	FM-GPW-10636	WO-A-7799	0601B
R	INSULATION		WO-A-9048	0601B
S	GASKET	FM-GPW-10564	WO-A-9047	0601B
T	GASKET	FM-GPW-10623	WO-A-9046	0601B
U	BRACKET, assembly	FM-GPW-10536	WO-A-7801	0601B
V	COIL, assembly		WO-A-9044	0601B

FIGURE 06-3—GENERATOR REGULATOR ASSEMBLY

GROUP 06—ELECTRICAL (Cont'd)

SNL G-503

0601B

Figure Number	Official Stock Number	Piece Mark or Part Number		ITEM	Quant. Req'd. per Unit Assy.	Unit Price
		Ford No.	Willys No.			
Col. 1	Col. 2	Col. 3	Col. 4	Col. 5	Col. 6	Col. 7
0601B—GENERATOR REGULATOR (6 VOLT) (Cont'd)						
06-3	G502-0125856 G154-0392749	FM-GPW-10536	WO-A-8322 WO-A-7801	BRACKET, mounting, generator regulator resistance (AL-VRA-67).....	1	
	H001-5125861	FM-31053-S7	WO-A-7802	BRACKET, stationary, generator cut-out relay, w/CONTACT, assembly (AL-VRH-1073) (Note 2).....	1	
	H001-5125821	FM-31037-S7	WO-A-7803	SCREW, mach., fil-hd., S., cd-pltd., No. 8 (0.164)-32NC-2 x 1/16 (AL-8X-878) (Note 2).....	2	
	H001-1518004	FM-34842-S	WO-51532	SCREW, mach., fil-hd., S., cd-pltd., No. 8 (0.164)-32NC-2 x 5/16 (AL-8X-888) (Note 2).....	4	
06-3	H001-7043591	FM-34702-S7	WO-A-1666	WASHER, lock, S., No. 8 (0.164) (AL-X-195) (Note 2).....	6	
06-3	G502-0139775		WO-A-1666	WASHER, plain, S., cd-pltd., No. 8 (0.164) (AL-8X-350) (Note 2).....	4	
06-3			WO-A-9044	COIL, generator cut-out relay, assembly (AL-VRY-3035).....	1	
06-3			WO-A-9051	COIL, generator current regulator, assembly (AL-VRY-30700).....	1	
06-3	G502-0139777		WO-A-9049	COIL, generator voltage regulator, assembly (AL-VRY-3071B).....	1	
	G054-1714512		WO-A-9053	NUT, hex., S., cd-pltd., 1/4-20NC-2 (AL-8X-1055).....	3	
	H001-7023681		WO-A-8914	WASHER, lock, reg., S., 1/4 in. (AL-X-535).....	3	
	G104-1540059		WO-A-9052	CONNECTOR, generator regulator series coil (AL-VRA-46).....	1	
	H001-4135681		WO-A-5260	NUT, mach., screw, hex., S., cd-pltd., No. 10 (0.190)-32NC-2 (AL-8X-173).....	1	
06-3	G154-0140096		WO-A-9042	COVER, generator regulator (AL-VRA-1002).....	1	
06-3	H001-4167501		WO-A-9040	NUT, reg., hex., S., cd-pltd., 1/4-20NC-2 (AL-8X-163).....	2	
06-3	H001-7023681		WO-A-9041	WASHER, lock, reg., S., cd-pltd., 1/4 in. (AL-12X-199).....	2	
06-3	H001-7043681		WO-A-1616	WASHER, plain, S., cd-pltd., 1/4 in. (AL-8X-361).....	4	
06-3	G104-1842779		WO-A-9043	WASHER, rubber (AL-VRA-109).....	2	
06-3	G067-0902830	FM-GPW-10623	WO-A-9046	GASKET, generator regulator cover (AL-VRA-50).....	1	
06-3	G067-0902840	FM-GPW-10584	WO-A-9047	GASKET, generator regulator terminal (AL-VRA-51).....	1	
06-3	G502-0232822	FM-GPW-10636	WO-A-7799	INSULATION, generator regulator cut-out relay stationary bracket (AL-VRA-76) (Note 2).....	1	
06-3	G067-0903450		WO-A-9048	INSULATION, generator regulator terminals (AL-VRA-52).....	1	
		FM-GPW-18299	WO-A-7805	KIT, repair, generator current regulator (AL-KIT-16).....	1	
		FM-GPW-10455	WO-A-7808	(Consists of:		
		FM-GPW-10532	WO-A-7796	1 ARMATURE		
		FM-GPW-10523	WO-A-7797	1 NUT, adjusting screw		
		FM-31053-S7	WO-A-7802	1 SCREW, adjusting		
		FM-GPW-10554	WO-A-7806	2 SCREW, adjusting bracket		
		FM-34842-S	WO-51532	1 SPRING, armature		
		FM-34702-S7	WO-A-1666	3 WASHER, lock, adjusting bracket		
				2 WASHER, plain, adjusting bracket)		

90

		FM-GPW-18298	WO-A-7794	KIT, repair, generator cut-out relay (AL-KIT-13).....	1	
				(Consists of:		
		FM-GPW-10540	WO-A-7800	1 ARMATURE		
		FM-GPW-10536	WO-A-7801	1 BRACKET, w/CONTACT, stationary		
		FM-GPW-10636	WO-A-7799	1 INSULATION, stationary bracket		
		FM-GPW-10532	WO-A-7796	1 NUT, adjusting screw		
		FM-GPW-10523	WO-A-7797	1 SCREW, adjusting		
		FM-31053-S7	WO-A-7802	2 SCREW, stationary bracket		
		FM-31037-S7	WO-A-7803	2 SCREW, stationary bracket		
		FM-GPW-10528	WO-A-7798	1 SPRING, armature		
		FM-34702-S7	WO-A-1666	3 WASHER, plain, stationary bracket		
		FM-GPW-10544	WO-A-7795	2 WASHER, insulating, stationary bracket (0.187 I.D.)		
		FM-GPW-10577	WO-A-7804	2 WASHER, insulating, stationary bracket ($1\frac{1}{8}$ I.D.)		
		FM-34842-S	WO-51532	3 WASHER, lock, stationary bracket)		
		FM-GPW-18311	WO-A-7810	KIT, repair, generator voltage regulator.....	1	
				(Consists of:		
		FM-GPW-10551	WO-A-7809	1 ARMATURE		
		FM-GPW-10532	WO-A-7796	1 NUT, adjusting screw		
		FM-GPW-10523	WO-A-7797	1 SCREW, adjusting		
		FM-31053-S7	WO-A-7802	2 SCREW, adjusting bracket		
		FM-GPW-10554	WO-A-7806	1 SPRING, armature		
		FM-34842-S	WO-51532	3 WASHER, lock, adjusting bracket screw		
		FM-34702-S7	WO-A-1666	3 WASHER, plain, adjusting bracket)		
	G067-0903630	FM-GPW-10532	WO-A-8997	LEAD, generator voltage regulator armature to base (AL-VRH-26).....	1	
			WO-A-7796	NUT, generator regulator adjusting screw (knurled, br., No. 10 (0.190)-48NS)		
				(AL-VRA-15) (Notes 1, 2 and 3)	3	
	G121-0367250	FM-GPW-10505	WO-A-1409	REGULATOR, generator, 6V., 40 amp., assembly (AL-VRY-4203A) (includes current regulator, voltage regulator, and cut-out relay).....	1	9.693
				BOLT, hex-hd., S., cd-pltd., $\frac{5}{16}$ -24NF-2 x $1\frac{1}{4}$	4	
	G085-2212144	FM-24427-S7	WO-6609	WASHER, lock, S., cd-pltd., SAE std., $\frac{5}{16}$ in.....	4	
	H001-7025711	FM-34806-S2	WO-51833	WASHER, plain, S., USS, $\frac{5}{16}$ in.....	2	
	H001-1531002	FM-34706-S2	WO-5437	WASHER, plain, S., cd-pltd., SAE, cd-pltd., $\frac{5}{16}$ in.....	2	
	H001-7043711	FM-34746-S7	WO-A-1533	RESISTANCE, carbon, generator regulator (marked 7) (AL-TC-51U).....	1	
		FM-GPW-10540	WO-A-5256	RESISTANCE, carbon, generator regulator (marked 80) (AL-TC-51N).....	2	
	G507-0367615	FM-GPW-10594	WO-A-9054	SCREW, mach., rd-hd., S., cd-pltd., No. 8 (0.164-32NC-2 x $\frac{3}{8}$ (AL-8X-55).....	6	
	H001-5147531		WO-52781	WASHER, lock, S., No. 8 (0.164) (AL-X-195).....	6	
	H001-1518004	FM-34842-S	WO-51532	WASHER, plain, S., cd-pltd., No. 8 (0.164) (AL-8X-350).....	6	
	H001-7043591	FM-34702-S7	WO-52702	SCREW, adjusting, generator regulator (for current regulator, cut-out relay and voltage regulator 1 each) (mach., br., No. 10 (0.190)-48NS-2 x $1\frac{1}{32}$) (AL-VRA-16) (Notes 1, 2 and 3).....	3	
	G067-0904830	FM-GPW-10523	WO-A-7797	SCREW, generator regulator terminal, fil-hd., S., cd-pltd., $\frac{5}{16}$ -24NF x $\frac{1}{2}$ (AL-8X-137)	3	
				WASHER, lock, reg., S., tinned, $\frac{5}{16}$ in. (AL-12X-1014).....	3	
06-3	G067-0904930	FM-355427-S7	WO-A-9050	SCREW, mach., rd-hd., S., cd-pltd., No. 10 (0.190)-32NF-2 x $\frac{3}{16}$ (AL-8X-321) (2 used—lead connection; 1 used—ground).....	3	
	H001-7025711		WO-A-5288	SCREW, mach., rd-hd., S., cd-pltd., No. 10 (0.190)-32NF-2 x $\frac{1}{2}$ (AL-8X-309) (6 used—base mounting; 1 used—lead connecting).....	7	
	H001-5148821		WO-A-1620			
06-3	H001-5148831		WO-A-8993			

Note 1—Also in KIT, FM-GPW-18299, WO-A-7805. Note 2—Also in KIT, FM-GPW-18298, WO-A-7794. Note 3—Also in KIT, FM-GPW-18311, WO-A-7810.

GROUP 06—ELECTRICAL (Cont'd)

SNL G-503

0601B-0601B-1

Figure Number	Official Stock Number	Piece Mark or Part Number		ITEM	Quant. Req. per Unit Assy.	Unit Price
		Ford No.	Willys No.			
Col. 1	Col. 2	Col. 3	Col. 4	Col. 5	Col. 6	Col. 7
				0601B—GENERATOR REGULATOR (6 VOLT) (Cont'd)		
	G067-0905420		WO-A-8498	SEAL, generator regulator lead and wire (AL-GAG-138).....	1	
	G067-0905600	FM-GPW-10554	WO-A-7798	SPRING, generator regulator cut-out relay (AL-VRA-17).....	1	
			WO-A-7806	SPRING, generator current regulator and voltage regulator armature (AL-VRA-84) (Notes 1 and 3).....	2	
		FM-GPW-10544	WO-A-7795	WASHER, insulating, cut-out relay stationary bracket (0.187 x 0.250 x 1/32 thk.) (AL-GAA-35) (Note 2).....	2	
	G067-090490	FM-GPW-10577	WO-A-7804	WASHER, insulating, cut-out relay stationary bracket (11/64 x 3/8 x 1/32 thk.) (AL-X-1465) (Note 2).....	2	
06-3			WO-A-5262	WASHER, plain, S., cd-pltd., No. 10 (0.190) (AL-8X-133A) (6 used—base mounting; 1 used—ground screw; 4 used—lead connection).....	11	
	H001-1518005		WO-5168	WASHER, lock, S., No. 10 (0.190) (AL-X-196) (6 used—base mounting; 1 used—ground screw—lead connection).....	11	
				0601B-1—GENERATOR REGULATOR (12 Volt)		
	G067-3138899			COIL, generator current regulator, assembly (AL-VRH-3008).....	1	
	G502-7001048			COIL, generator cut-out relay, assembly (AL-VRH-3035).....	1	
	G067-0904520			COIL, generator voltage regulator, assembly (AL-VRH-3071).....	1	
	2980-VRH-50			GASKET, generator regulator cover (for water proofing) (AL-VRH-50).....	1	
	G502-0367546			KIT, repair, generator current regulator (AL-KIT-28).....	1	
				(Consists of:		
	G502-0139954			1 ARMATURE and CONTACT (AL-VRH-1061)		
	G067-0903910			1 NUT (AL-VRA-15)		
	G067-0904830			1 SCREW (AL-VRA-16)		
	H001-5125861			2 SCREW (AL-8X-878)		
	G067-0905420			1 SPRING (AL-VRA-17)		
	H001-1518004			2 WASHER (AL-X-195)		
	H001-7043591			2 WASHER (AL-8X-350)		
	G502-0125960			KIT, repair, generator cut-out relay (AL-KIT-27).....	1	
				(Consists of:		
	G154-0392749			1 ARMATURE and CONTACT (AL-VRY-1043)		
				1 BRACKET, contact (AL-VRH-1073)		
	G067-0903910			1 INSULATION (AL-VRA-23)		
	G067-0904830			1 NUT (AL-VRA-15)		
				1 SCREW (AL-VRA-16)		
				2 SCREW (AL-8X-378)		

G067-0905420
 G067-0903390
 H001-1518004

G067-0906490
 G502-0435653

G502-0139953
 G067-0903910
 G067-0904830
 H001-5125861
 G067-0905600
 H001-1518004
 H001-7043591
 G136-0367413
 G067-0904540
 G067-0904550
 G067-0904560

06-4 2980-MZ-2089
 06-4 F227-0105011

G067-0900250
 G067-0900250
 G067-0900810
 G067-0900810

06-4 G067-0900250
 06-4 G067-0900690

06-4 G505-0152523
 G121-0126320

06-4 G505-0156045

FM-GPA-10505

FM-GPW-11005
 FM-GPW-11077
 FM-34141-S2
 FM-36954-S7
 FM-GPW-11394

FM-GPW-11134

FM-GPW-11395

FM-GPW-11135

FM-GPW-11130
 FM-GPW-11056

FM-GPW-11055

FM-GPW-18535

FM-GPW-11055
 FM-GPW-11056
 FM-GPW-11107

WO-A-1568
 WO-109452
 WO-6273
 WO-A-1588

WO-639734

WO-A-1583

WO-A-1582
 WO-109446

WO-109431

WO-A-1552

WO-109431
 WO-109446
 WO-109436

2 SCREW (AL-8X-388)
 1 SPRING (AL-VRA-17)
 2 WASHER (AL-GAA-35)
 3 WASHER (AL-X-195)
 3 WASHER (AL-8X-350)
 2 WASHER (AL-X-1465)

KIT, repair, generator voltage regulator (AL-KIT-29) 1

(Consists of:

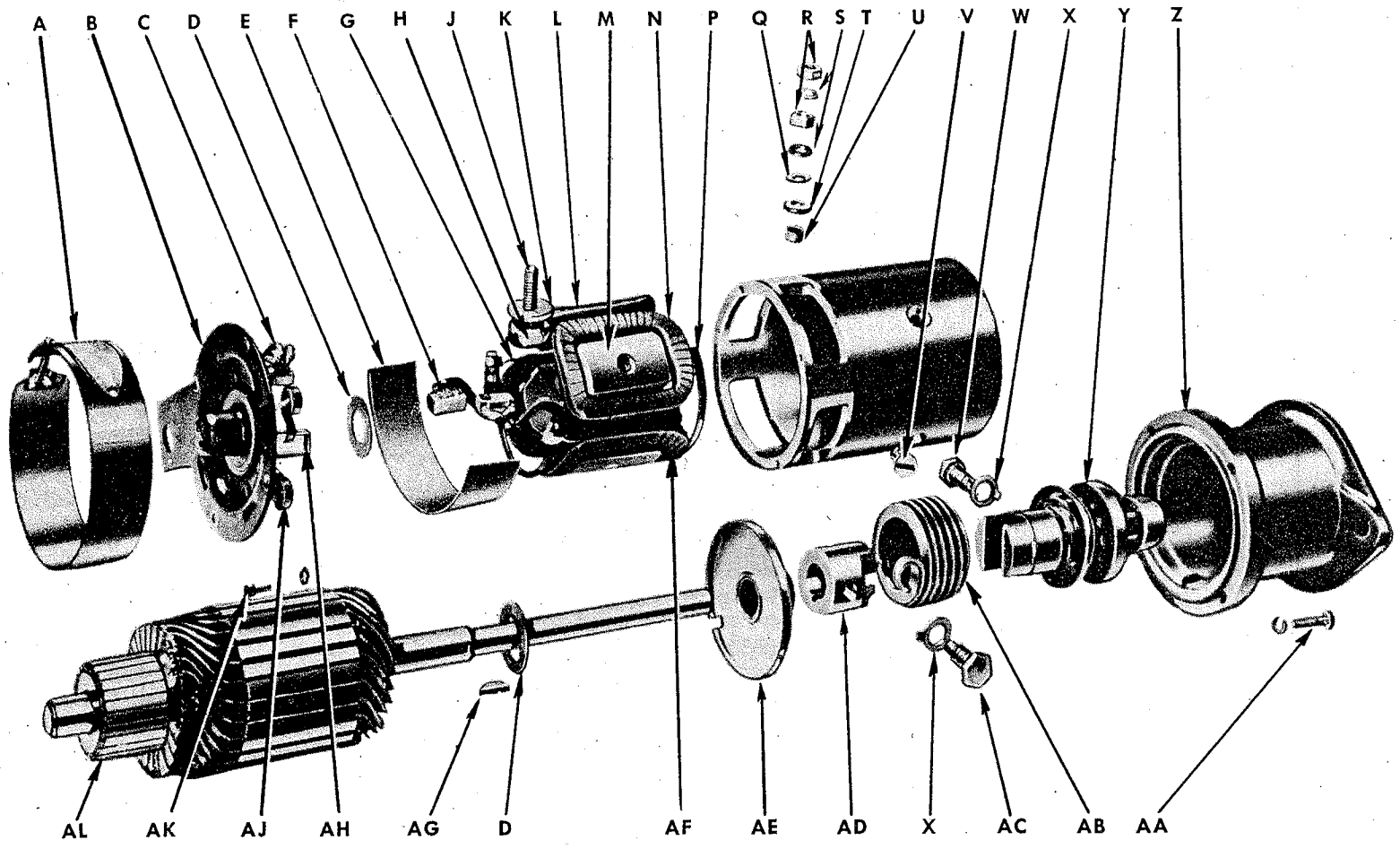
1 ARMATURE and CONTACT (AL-VRH-1080)
 1 NUT (AL-VRA-15)
 1 SCREW (AL-VRA-16)
 2 SCREW (AL-8X-878)
 1 SPRING (AL-VRA-84)
 2 WASHER (AL-X-195)
 1 WASHER (AL-8X-350))

REGULATOR, generator, assembly (12 volt) (AL-VRA-4101C) 1
 RESISTANCE, generator regulator, carbon (marked 1) (AL-TC-51A) 1
 RESISTANCE, generator regulator, carbon (marked 15) (AL-TC-51S) 1
 RESISTANCE, generator regulator, carbon (marked 30) (AL-TC-51L) 1

0602—CRANKING MOTOR

ARMATURE, cranking motor, assembly (AL-MZ-2089) 1 3.242
 BAND, cranking motor head, assembly (AL-MZ-1024) 1 .0233
 NUT, sq., S., No. 10 (0.190)-32NF-2 (*Note 4*) 1
 SCREW, mach., rd-hd., S., cd-pltd., No. 10 (0.190)-32NF-2 x 1½ (*Note 4*) 1
 BEARING, cranking motor (in flywheel housing) (superseded by BEARING, FM-GPW-11134, WO-639734) 1
 BEARING, cranking motor (in flywheel housing) (supersedes BEARING, FM-GPW-11394) 1 .0287
 BEARING, cranking motor, commutator end (superseded by BEARING, FM-GPW-11135, WO-A-1583) 1
 BEARING, cranking motor, commutator end (0.626) x 0.735, absorbent bz. (AL-MG-77A) (supersedes BEARING, FM-GPW-11395) (*Note 4*) 1 .0305
 BEARING, cranking motor, intermediate, assembly (AL-MAB-2040A) 1
 BRUSH, grounded, cranking motor (AL-MZ-1034) (Also in BRUSH SET, FM-GPW-18535, WO-A-1552) 2
 BRUSH, insulated, cranking motor (AL-MZ-12) (also in BRUSH SET, FM-GPW-18535, WO-A-1552) 2
 BRUSH SET, cranking motor (AL-MZ-2012-S) (*Note 4*) 1 .244
 (Consists of:
 2 BRUSH, insulated
 2 BRUSH, grounded)
 BUSHING, insulating, cranking motor terminal post (AL-MU-31) (also in KIT, FM-GPW-18319, WO-A-7841; and KIT, FM-GPW-18376, WO-A-6756) 1

Note 1—Also in KIT, FM-GPW-18299, WO-A-7805. *Note 2*—Also in KIT, FM-GPW-18298, WO-A-7794. *Note 3*—Also in KIT, FM-GPW-18311, WO-A-7810. *Note 4*—Also in KIT, FM-GPW-18376-B, WO-A-7836.



RA PD 342267

FIGURE 06-4—CRANKING MOTOR ASSEMBLY—EXPLODED VIEW

Key	Part Name	Ford Part No.	Willys Part No.	Group No.
A	BAND	FM-GPW-11077	WO-109452	0602
B	PLATE, assembly	FM-GPW-11049	WO-A-1566	0602
C	BRUSH	FM-GPW-11056	WO-109446	0602
D	WASHER	FM-GPW-11036-B	WO-109455	0602
E	INSULATION	FM-GPW-11089	WO-A-1557	0602
F	BRUSH	FM-GPW-11055	WO-109431	0602
G	COIL	FM-GPW-11082	WO-A-1562	0602
H	TERMINAL	FM-GPW-11102	WO-A-1554	0602
J	POST	FM-GPW-11103	WO-109433	0602
K	WASHER	FM-GPW-11095	WO-109437	0602
L	COIL	FM-GPW-11083	WO-A-1560	0602
M	POLE PIECE	FM-GPW-11120	WO-A-1556	0602
N	COIL	FM-GPW-11085	WO-A-1563	0602
P	CONNECTOR	FM-GPW-11090	WO-A-1558	0602
Q	WASHER	FM-34706-S2	WO-5437	0602
R	NUT	FM-355944-S5	WO-A-1565	0602
S	WASHER	FM-34806-S7	WO-51833	0602
T	WASHER	FM-GPW-11094	WO-A-1553	0602

Key	Part Name	Ford Part No.	Willys Part No.	Group No.
U	BUSHING	FM-GPW-11107	WO-109436	0602
V	SCREW	FM-355485-S7	WO-A-1559	0602
W	SCREW	FM-GPW-11382	WO-A-1579	0602
X	WASHER	FM-B-11379	WO-A-1574	0602
Y	SHAFT, assembly	FM-GPW-11354	WO-A-1581	0602
Z	HOUSING	FM-GPW-11131	WO-A-1585	0602
AA	SCREW	FM-355164-S	WO-A-1584	0602
AB	SPRING	FM-GPW-11375	WO-A-1577	0602
AC	SCREW	FM-GPW-11377	WO-A-1578	0602
AD	HEAD	FM-B-11381	WO-A-1576	0602
AE	BEARING	FM-GPW-11130	WO-A-1582	0602
AF	COIL	FM-GPW-11084	WO-A-1561	0602
AG	KEY	FM-74175-S	WO-5017	0602
AH	HOLDER	FM-GPW-11061	WO-109442	0602
AJ	SPRING	FM-B-11059	WO-109445	0602
AK	SCREW	FM-31596-S	WO-A-1572	0602
AL	ARMATURE, assembly	FM-GPW-11005	WO-A-1568	0602

RA PD 342267A

FIGURE 06-4A—LEGEND FOR 06-4—CRANKING MOTOR ASSEMBLY—EXPLODED VIEW

GROUP 06—ELECTRICAL (Cont'd)

0602

Figure Number	Official Stock Number	Piece Mark or Part Number		ITEM	Quant. Req. per Unit Assy.	Unit Price
		Ford No.	Willys No.			
Col. 1	Col. 2	Col. 3	Col. 4	Col. 5	Col. 6	Col. 7
0602—CRANKING MOTOR (Cont'd)						
06-4	M001-0104161 2980-MZ-1009	FM-GPW-11082	WO-A-1562 WO-109427	COIL, cranking motor field, lower left (superseded by COIL, WO-109427).....	1	
06-4	G505-0179571	FM-GPW-11084	WO-A-1561 WO-109428	COIL, cranking motor field, lower left (AL-MZ-1009) (supersedes COIL, FM-GPW-11082, WO-A-1562) (Note 2).....	1	
06-4	F005-0102840	FM-GPW-11083	WO-A-1560	COIL, cranking motor field, lower right (superseded by COIL, WO-109428).....	1	
06-4	M001-0104162	FM-GPW-11085	WO-A-1563	COIL, cranking motor field, lower right (AL-MZ-1008) (Note 2) (supersedes COIL, FM-GPW-11084, WO-A-1561).....	1	
06-4	2980-EBA-46	FM-GPW-11090	WO-A-1558	COIL, cranking motor field, upper left (AL-MZ-1007) (Note 2).....	1	
06-4		FM-GPW-11350	WO-A-1573	COIL, cranking motor field, upper right (AL-MZ-1010) (Note 2).....	1	
06-4		FM-B-11381	WO-A-1576	CONNECTOR, cranking motor field coil (AL-MZ-32) (Note 2).....	2	
06-4	H001-0518016	FM-74175-S	WO-5017	DRIVE, Bendix, cranking motor, assembly (AL-EBA-46).....	1	1.47
06-4	G067-0903250	FM-GPW-11061	WO-109442	HEAD, cranking motor Bendix drive (AL-EB-8503).....	1	
06-4	2980-PS-1079A	FM-GPW-11131	WO-A-1585	(also in KIT, FM-GPW-18329, WO-A-7842).....	1	
06-4	H001-7025621	FM-355164-S	WO-A-1584	KEY, Woodruff, S., 5/32 x 5/8 (GM-124546) (also in KIT, FM-GPW-18329, WO-A-7842).....	1	
06-4	G505-0365732	FM-34803-S7	WO-52221	HOLDER, cranking motor brush (AL-MZ-16).....	2	
		FM-GPW-11089	WO-A-1557	HOUSING, cranking motor Bendix drive pinion, assembly (AL-PS-1079A).....	1	.896
		FM-GPW-18376	WO-A-6756	SCREW, mach., hex-hd., S., No. 10 (0.190)-32NF-2 x 31/32 (AL-MZ-S2) (Note 1).....	4	
		FM-GPW-11107	WO-109436	WASHER, lock, reg., S., cd-pltd., No. 10 (0.190) (Note 1).....	4	
		FM-GPW-11103	WO-109433	INSULATION, cranking motor field connection (AL-MZ-30A) (Note 2).....	1	
		FM-355485-S7	WO-A-1559	KIT, repair, cranking motor.....	1	
		FM-GPW-11053	WO-A-1569	(Consists of:		
		FM-B-11059	WO-109445	1 BUSHING, insulating, terminal post		
		FM-GPW-11102	WO-A-1554	1 POST, terminal		
		FM-GPW-11095	WO-109437	4 SCREW, pole piece		
		FM-GPW-11094	WO-A-1553	1 SPACER, thrust, bearing		
		FM-B-11379	WO-A-1574	4 SPRING, brush		
		FM-351355-S7	WO-A-1555	1 TERMINAL, field coil		
		FM-GPW-11036-B	WO-109455	1 WASHER, insulating, terminal post, inner		
		FM-GPW-18376-B	WO-7836	1 WASHER, insulating, terminal post, outer		
		FM-GPW-11135	WO-A-1583	2 WASHER, lock, drive spring screw		
		FM-GPW-11535	WO-A-1552	2 WASHER, plain, terminal post		
				2 WASHER, thrust, armature, commutator end)		
				KIT, repair, cranking motor (AL-KIT-24).....	1	.603
				(Consists of:		
				1 BEARING		
				1 BRUSH SET		

SNL G-503

96

		FM-34141-S2	WO-A-1589	1 NUT, head band		
		FM-355164-S	WO-A-1584	2 SCREW, head		
		FM-35954-S7	WO-A-1588	1 SCREW, head band		
		FM-31596-S	WO-A-1572	2 SCREW, commutator end plate		
		FM-B-11059	WO-109445	4 SPRING, brush		
		FM-34803-S7	WO-A-1571	2 WASHER, lock		
			WO-52960	2 WASHER, lock, w/KIT only		
		FM-GPW-11036-B	WO-109455	2 WASHER, thrust, armature, commutator end)		
2980-KIT-25		FM-GPW-18329	WO-A-7842	KIT, repair, cranking motor Bendix drive (AL-KIT-25).....	1	.912
				(Consists of:		
		FM-B-11381	WO-A-1576	1 HEAD, drive		
		FM-74175-S	WO-5017	1 KEY, Woodruff, drive head		
		FM-GPW-11377	WO-A-1578	1 SCREW, drive spring to head		
		FM-GPW-11382	WO-A-1579	1 SCREW, drive spring to shaft		
		FM-11357-A	WO-A-1575	1 SLEEVE, drive		
		FM-GPW-11375	WO-A-1577	1 SPRING, drive		
		FM-B-11379	WO-A-1574	2 WASHER, lock, drive spring screw)		
2980-KIT-26		FM-GPW-18319	WO-A-7841	KIT, repair, cranking motor field coil (AL-KIT-26).....	1	1.971
				(Consists of:		
		FM-GPW-11107	WO-109436	1 BUSHING, insulating, terminal post		
			WO-109427	1 COIL, field, lower left		
			WO-109428	1 COIL, field, lower right		
		FM-GPW-11083	WO-A-1560	1 COIL, field, upper left		
		FM-GPW-11085	WO-A-1563	1 COIL, field, upper right		
		FM-GPW-11090	WO-A-1558	1 CONNECTOR, field coil		
		FM-GPW-11089	WO-A-1557	1 INSULATION, field connection		
		FM-355944-S5	WO-A-1565	2 NUT, terminal post		
		FM-GPW-11103	WO-109433	1 POST, terminal		
		FM-355485-S7	WO-A-1559	4 SCREW, pole piece		
		FM-GPW-11102	WO-A-1554	1 TERMINAL, field coil		
		FM-34806-S7	WO-A-1619	1 WASHER, lock, terminal post		
		FM-351355-S7	WO-A-1555	1 WASHER, plain, terminal post		
		FM-GPW-11095	WO-109437	1 WASHER, insulating, terminal post, inner		
		FM-GPW-11094	WO-A-1553	1 WASHER, insulating, terminal post, outer)		
G503-0295835		FM-GPW-11001		MOTOR, cranking, assembly (superseded by MOTOR, assembly, FM-GPW-11001-A, WO-A-1245).....	1	10.10
G503-0295838		FM-GPW-11002		MOTOR, cranking, assembly (superseded by MOTOR, assembly, FM-GPW-11001-A, WO-A-1245).....	1	
01-2	G503-0295835	FM-GPW-11001-A	WO-A-1245	MOTOR, cranking, assembly (includes Bendix drive) (AL-MZ-4113) (supersedes MOTOR, assembly, FM-GPW-11001; and MOTOR, assembly, FM-GPW-11002).....	1	
		H001-5420600	WO-51406	BOLT, hex-hd., s-fin., alloy-S., 3/8-16NC-2 x 1 1/4 (GM-100135).....	2	
		H001-1518009	WO-5010	WASHER, lock, reg., S., 3/8 in.....	2	
06-4	G505-0579385	FM-GPW-11120	WO-A-1556	PIECE, pole, cranking motor (AL-MZ-29).....	4	
06-4	G505-0666927	FM-355485-S7	WO-A-1559	SCREW, special, fl-hd., S., cd-pltd., 3/8-16NC-2 x 0.54 (AL-MZ-38A) (Notes 2 and 3).....	4	
	G134-0338435	FM-72798-S7	WO-A-1586	PIN, dowel, cranking motor intermediate bearing (AL-MAB-88).....	1	.0038

Note 1—Also in KIT, FM-GPW-18376-B, WO-A-7836. Note 2—Also in KIT, FM-GPW-18319, WO-A-7841. Note 3—Also in KIT, FM-GPW-18376, WO-A-6756.

GROUP 06—ELECTRICAL (Cont'd)

0602

Figure Number	Official Stock Number	Piece Mark or Part Number		ITEM	Quant. Req'd. per Unit Assy.	Unit Price
		Ford No.	Willys No.			
Col. 1	Col. 2	Col. 3	Col. 4	Col. 5	Col. 6	Col. 7
0602—CRANKING MOTOR (Cont'd)						
06-4	2980-MZ-2156	FM-GPW-11049	WO-A-1566	PLATE, cranking motor, commutator end, w/grounded BRUSHES, assembly (AL-MZ-2156)	1	.505
06-4	H001-1026463	FM-31596-S	WO-A-1572	SCREW, mach., fil-hd., S., No. 10 (0.190)-32NF-2 x 3/8 (AL-X-902) (Note 1)	4	
	H001-7025621	FM-34803-S7	WO-52221	WASHER, lock, S., cd-pltd., No. 10 (0.190)	4	
06-4	G067-0904430	FM-GPW-11103	WO-109433	POST, terminal, cranking motor (5/16-24NF) (AL-MU-28) (Notes 2 and 3)	1	
06-4		FM-355944-S5	WO-A-1565	NUT, thin, hex., S., copper plate, 5/16-24NF-2 (AL-5X-1376) (Note 2)	2	
06-4	H001-7025711	FM-34806-S7	WO-A-1619	WASHER, lock, S., cd-pltd., SAE std., 5/16 in. (Note 2)	2	
	H001-7043711	FM-351355-S7	WO-A-1555	WASHER, plain, S., cd-pltd., 3/16 in. (AL-MU-37) (Notes 2 and 3)	1	
06-4	H001-1531002	FM-34706-S2	WO-5437	WASHER, plain, S., 5/16 in.	1	
	G067-0905580	FM-B-11371	WO-A-1580	RING, take-up, cranking motor, Bendix drive (AL-EB-8734)	1	.0083
06-4	2980-EB-8506	FM-GPW-11377	WO-A-1578	SCREW, cranking motor Bendix head spring (AL-EB-8506) (also in KIT, FM-GPW-18329, WO-A-7842)	1	.0256
		FM-GPW-11376		SCREW, cranking motor Bendix shaft spring (superseded by SCREW FM-GPW-11382, WO-A-1579)	1	
06-4	2980-EB-8507	FM-GPW-11382	WO-A-1579	SCREW, cranking motor Bendix shaft spring (AL-EB-8507) (also in KIT, FM-GPW-18329, WO-A-7842) supersedes SCREW, FM-GPW-11378)	1	.0192
06-4	2980-EBA-4611	FM-GPW-11354	WO-A-1581	SHAFT, cranking motor Bendix drive, w/PINION, assembly (AL-EBA-4611)	1	1.873
	G067-0905310	FM-B-11357-A	WO-A-1575	SLEEVE, compression, cranking motor Bendix drive (AL-EB-7819S) (also in KIT, FM-GPW-18329, WO-A-7842)	1	
	2980-MZ-51	FM-GPW-11053	WO-A-1569	SPACER, thrust, cranking motor bearing (AL-MZ-51) (Note 3)	1	.0613
06-4	G067-0905570	FM-B-11059	WO-109445	SPRING, cranking motor brush (AL-MZ-19) (Notes 1 and 3)	4	.0125
06-4	2980-EB-8505	FM-GPW-11375	WO-A-1577	SPRING, cranking motor Bendix drive (AL-EB-8505) (also in KIT, FM-GPW-18329, WO-A-7842)	1	
		FM-GPW-11140	WO-638646	SUPPORT, cranking motor to block	1	.0277
			WO-A-1746	BOLT, hex-hd., s-fin., S., 3/8-16NC-2 x 7/8 (support to block) (superseded by BOLT, FM-24388-S7, WO-51405)	1	
		FM-24388-S7	WO-51405	BOLT, hex-hd., s-fin., S., cd-pltd., 3/8-16NC-2 x 1 (support to block) (supersedes BOLT, WO-A-1746)	2	
	H001-5419780	FM-24327-S7	WO-52132	BOLT, hex-hd., s-fin., S., cd-pltd., 5/16-24NF-2 x 5/8 (support to cranking motor) (GM-106279)	1	.0026
	H001-7124741	FM-356200-S7	WO-53026	WASHER, lock, S., cd-pltd., internal, external teeth, 3/8 in. (FM-178551)	2	
	H001-7124621	FM-356309-S7	WO-53025	WASHER, lock, S., cd-pltd., internal teeth, 5/16 in. (GM-178378)	1	
	H001-1531003	FM-34706-S2	WO-5437	WASHER, plain, S., 5/16 in. (GM-106262)	1	
06-4	F227-0200895	FM-GPW-11102	WO-A-1554	TERMINAL, cranking motor field coil (AL-MU-14) (Note 2)	1	
06-4	G067-0906730	FM-GPW-11094	WO-A-1553	WASHER, insulating, cranking motor terminal post, outer (AL-MAB-31) (Notes 2 and 3)	1	.0065

SNL G-503

98

06-4	G067-0906720	FM-GPW-11095	WO-109437	WASHER, insulating, cranking motor terminal post, inner (AL-MU-39) (Notes 2 and 3)	1	.006
06-4	G067-0906840	FM-B-11379	WO-A-1574	WASHER, lock, cranking motor Bendix drive spring screw (AL-EB-108) (Notes 2 and 3)	2	.0042
06-4	G104-1842710	FM-GPW-11036-B	WO-109455	WASHER, thrust, cranking motor armature, commutator end (fiber, 0.645 x 1 1/4 x 1/32) (AL-MU-54) (Notes 1 and 3)	1	
				Willys	2	
				Ford	1	
				0602-1—CRANKING MOTOR (12 Volt)		
				(All parts NOT listed below are the same as used on MOTOR, FM-GPW-11001, and will be found in Group 0602) (Only for vehicles modified by MWO ORD G503-W7)		
	3320-26H-11055	FM-26H-11055		BRUSH, cranking motor	1	
		FM-GPW-11055		BRUSH, cranking motor	1	
		FM-GPW-11056		BRUSH, grounded, cranking motor	2	
		FM-GPA-18535		BRUSH SET, cranking motor (also in KIT, FM-GPA-18376)	1	
		FM-GPW-11056		(Consists of:		
		FM-26H-11055		2 BRUSH, grounded		
		FM-GPW-11055		1 BRUSH		
		FM-GPA-11084		1 BRUSH)		
		FM-GPW-11083		COIL, field, cranking motor, assembly	2	
		FM-GPA-11085		COIL, field, cranking motor upper, left, assembly	1	
		FM-GPA-11089		COIL, field, cranking motor, upper, right, assembly	1	
		FM-GPA-18376		INSULATION, cranking motor field coil	1	
		FM-GPA-18535		KIT, repair, cranking motor	1	
		FM-34141-S		(Consists of:		
		FM-355944-S5		1 BRUSH SET		
		FM-GPW-11130		1 NUT, cover band screw		
		FM-31596-S		2 NUT, terminal		
		FM-27177-S7		1 PLATE, drive end		
		FM-355164-S		4 SCREW, commutator end plate		
		FM-GPW-11053		1 SCREW, cover band		
		FM-B-11059		4 SCREW, drive end housing		
		FM-GPW-11036-B		1 SPACER, thrust, bearing		
		FM-34803-S7		4 SPRING, brush		
		FM-34803-S		1 WASHER, armature		
		FM-34806-S7		4 WASHER, lock (No. 10)		
	3320-GPA-18319	FM-GPA-18319		4 WASHER, lock (No. 10)		
		FM-GPW-11107		2 WASHER, lock (5/16 in.))		
		FM-GPA-11084		KIT, repair, cranking motor field coil	1	
		FM-GPW-11083		(Consists of:		
		FM-GPA-11085		1 BUSHING, terminal post		
				2 COIL, field, lower		
				1 COIL, field, upper, left		
				1 COIL, field, upper, right		

Note 1—Also in KIT, FM-GPW-18376-B, WO-A-7836. Note 2—Also in KIT, FM-GPW-18319, WO-A-7841. Note 3—Also in KIT, FM-GPW-18376, WO-A-6756.

GROUP 06—ELECTRICAL (Cont'd)

SNL G-503

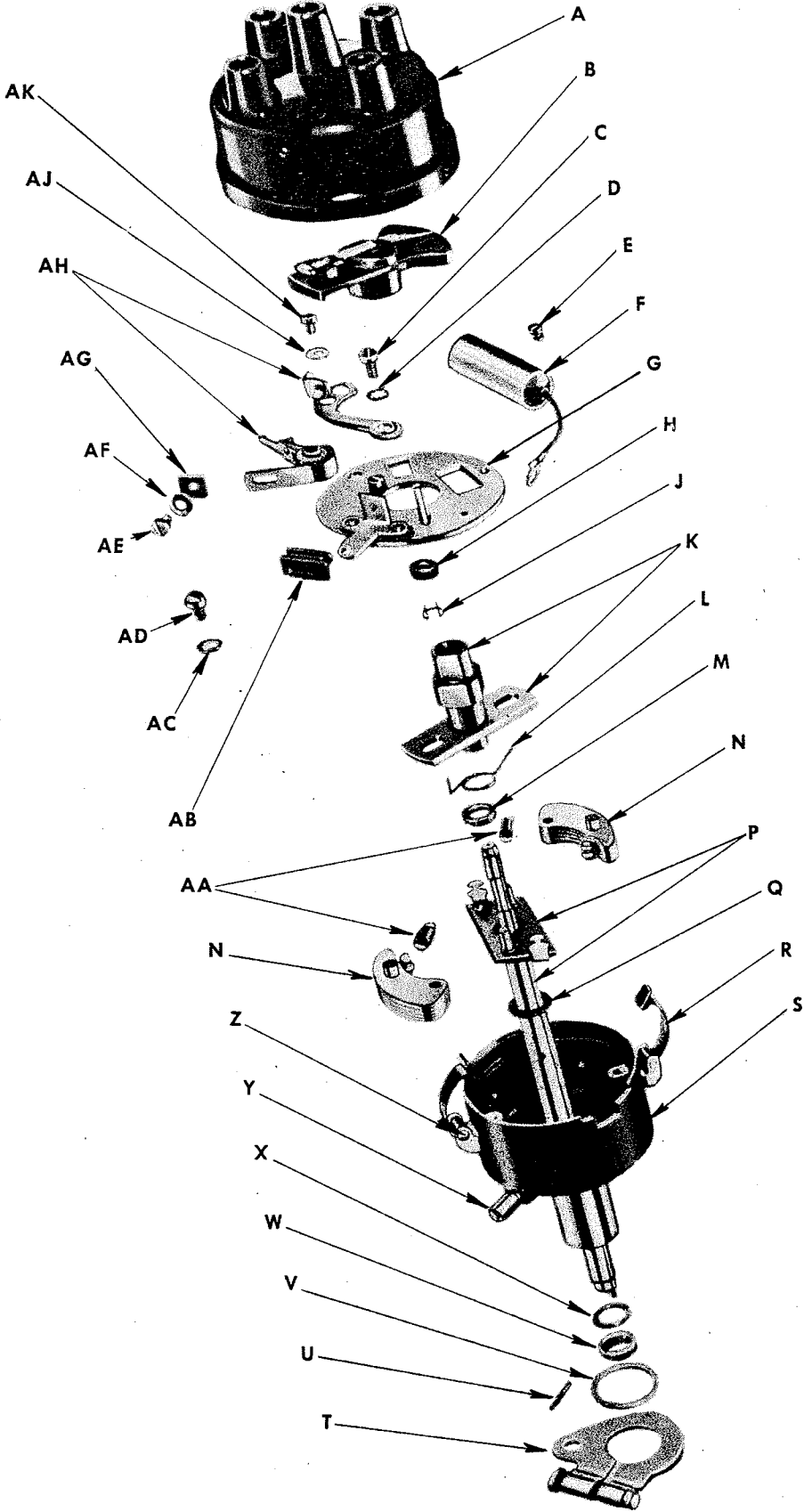
100

0602-1-0603

Figure Number	Official Stock Number	Piece Mark or Part Number		ITEM	Quant. Req'd. per Unit Assy.	Unit Price
		Ford No.	Willys No.			
Col. 1	Col. 2	Col. 3	Col. 4	Col. 5	Col. 6	Col. 7
				0602-1—CRANKING MOTOR (12 Volt) (Cont'd)		
				KIT, repair, cranking motor field coil (Cont'd)		
		FM-GPW-11090		2 CONNECTOR, field coil		
		FM-GPA-11089		1 INSULATION		
		FM-355944-S5		2 NUT, terminal post		
		FM-GPW-11102		1 POST, terminal		
		FM-355485-S7		4 SCREW, pole piece		
		FM-GPW-11103		1 TERMINAL, field		
		FM-351355-S7		1 WASHER, flat		
		FM-GPW-11095		1 WASHER, insulation		
		FM-GPW-11094		1 WASHER, insulating		
		FM-34806-S7		2 WASHER, lock		
	G503-0295823	FM-GPA-11001		MOTOR, cranking, assembly (includes Bendix drive) (12 volt).....	1	
		FM-24428-S		BOLT, hex-hd., S., 3/8-16NC-2 x 1 1/4 (cranking motor to rear engine plate).....	2	
		FM-33798-S7		NUT, reg., hex., S., cd-pltd., 5/16-24NF-2.....	1	
		FM-24327-S		SCREW, cap, hex-hd., S., 5/16-24NF-2 x 5/8 (support to cranking motor).....	1	
		FM-34806-S7		WASHER, lock, reg., S., cd-pltd., 5/16 in.....	1	
	H001-7025711	FM-34807-S		WASHER, lock, reg., S., 3/8 in.....	2	
	H001-1518009	FM-34706-S7		WASHER, plain, S., cd-pltd., 5/16 in.....	1	
	H001-7045561					
				0603—DISTRIBUTOR (REGULAR TYPE) (See also Group 0603-1)		
06-5, 6	2980-IGS-1080	FM-GPW-12155	WO-A-1674	ARM, advance control, distributor, assembly (AL-IGS-1080).....	1	.0977
06-6	G116-0400060	FM-GPW-12162	WO-A-1570	ARM, breaker, distributor, assembly (AL-IGP-3028).....	1	
06-5	2980-IGS-2135	FM-GPW-12139	WO-A-1679	BASE, distributor, assembly (AL-IGS-2135).....	1	1.63
06-6	G104-1518120	FM-GPW-12082	WO-A-1681	BEARING, distributor, absorbent bronze (AL-IG-579-A) (Note 1).....	2	
06-5	G503-0131548	FM-GPW-12106	WO-A-1655	CAP, distributor, assembly (AL-IG-1324-D).....	1	1.075
06-5, 6	G121-0137958	FM-GPW-12217	WO-A-1663	CLIP, distributor breaker arm spring (AL-IG-676) (Note 1).....	1	
06-5, 6	G154-0139853	FM-GPW-12195	WO-A-1659	COLLAR, distributor drive shaft (AL-IGB-199).....	1	.0652
06-5, 6	G121-0370109	FM-72867-S7	WO-A-1685	RIVET, distributor drive shaft collar (AL-SW-213) (Note 1).....	1	
06-5, 6	G067-0901889	FM-GPW-12300	WO-A-1631	CONDENSER, distributor (AL-IGW-3139).....	1	.261
06-5, 6		FM-31026-S7	WO-A-1670	SCREW, mach., fil.-hd., S., cd-pltd., No. 6 (0.138)-32NC-2 x 5/32 (AL-8X-01546) (condenser mounting) (Note 1).....	1	
06-5		FM-31583-S	WO-A-1686	SCREW, mach. fil.-hd., S., No. 10 (0.190)-32NF-2 x 1/4 (condenser terminal).....	1	
06-6	G116-1843059	FM-34801-S7	WO-A-1669	WASHER, lock, S., cd-pltd., No. 6 (0.138) (AL-X-1012) (Note 1).....	1	
06-5	H001-7075621	FM-34803-S7	WO-52221	WASHER, lock, S., cd-pltd., No. 10 (0.190) (AL-X-196) (Note 1).....	1	
06-6	G116-0400590	FM-GPW-12218	WO-A-1564	CONTACT, breaker, distributor, assembly (AL-IGC-1149).....	1	

06-5	G067-3140085 G503-0152015	FM-GPW-12174 FM-GPW-12100	WO-A-1660 WO-A-1244	COVER, distributor terminal slot (AL-IGC-117) (Note 1)	1	
		FM-24308-S FM-34805-S2 FM-34745-S2 FM-GPW-18343	WO-51763 WO-52706 WO-52702 WO-A-7843	DISTRIBUTOR, assembly (AL-IGC-4705) (superseded by DISTRIBUTOR, assembly, FM-GPW-12100-B, WO-A-9075) (group 0603-1)	1	3.91
	H001-1518007 H001-1530007			BOLT, hex-hd., S., 1/4-20NC-2 x 1/2	1	
				WASHER, lock, reg., S., 1/4 in.	1	
				WASHER, plain, S., SAE, 1/4 in.	1	
				KIT, repair, distributor (use with Distributor, assembly, FM-GPW-12100, WO-A-1244 only)	1	.505
				(Consists of:		
		FM-GPW-12082 FM-GPW-12217 FM-GPW-12174 FM-B-10141 FM-GPW-12145	WO-A-1681 WO-A-1663 WO-A-1660 WO-107128 WO-A-1683	1 BEARING		
				1 CLIP, breaker arm spring		
				1 COVER, terminal slot		
				1 OILER		
				2 PIN, hinge		
	G121-0340614			1 PLUG (AL-IGS-32)		
		FM-GPW-12177 FM-7: 867-S7 FM-31026-S7 FM-31027-S8 FM-31588-S7 FM-36787-S7 FM-GPW-12144 FM-34801-S7 FM-34803-S7 FM-GPW-12120 FM-34701-S7 FM-34702-S2 FM-GPW-12182 FM-GPW-12193 FM-GPW-12133 FM-B-10141	WO-A-1653 WO-A-1685 WO-A-1670 WO-A-1668 WO-A-1636 WO-A-1633 WO-A-1682 WO-A-1669 WO-5168 WO-A-1672 WO-A-1667 WO-A-1666 WO-A-1673 WO-106740 WO-A-1671 WO-107128	1 RING, retaining, cam		
				1 RIVET, drive shaft collar		
				1 SCREW, condenser mounting		
				1 SCREW, stationary contact		
				2 SCREW		
				1 SCREW, breaker arm spring clip		
				2 SPRING, cap		
				2 WASHER, lock, condenser screw		
				3 WASHER, lock, condenser terminal		
				1 WASHER, spacer, cam spring		
				1 WASHER, breaker arm spring screw		
				1 WASHER, plain, stationary contact		
				1 WASHER, thrust, shaft upper		
				1 WASHER, thrust, shaft, lower		
				1 WICK)		
01-3, 06-5,6	G067-0903990	FM-B-10141	WO-107128	OILER, distributor shaft (press-in sleeve type) (AL-X-490) (Note 1)	1	
	G121-0340306	FM-GPW-12151	WO-A-1662	PLATE, breaker, distributor, assembly (AL-IGC-2148C) (includes CONDENSER and POINT SET)	1	1.303
06-5	G121-0340277	FM-GPW-12010	WO-A-1664	PLATE, breaker, distributor (AL-IGC-1148)	1	
06-5	H001-5112731	FM-31588-S7	WO-A-1636	SCREW, mach., fil-hd., S., cd-pltd., No. 10 (0.190)-32NF x 5/16 (AL-SX-870) (Note 1)	3	
06-5	H001-7025621	FM-34803-S7	WO-52221	WASHER, lock, S., cd-pltd., SAE std., No. 10 (0.190)	3	
06-5	G121-0340277	FM-GPW-12176	WO-A-1661	PLATE, distributor cam and stop (AL-IGC-1148)	1	.977
06-5	G067-0904036	FM-GPW-12145	WO-A-1683	PIN, distributor cap spring hinge (AL-X-1448) (Note 1)	2	
	G067-0904329	FM-GPW-12011	WO-A-1656	PLUNGER, distributor contact spring (AL-IG-514)	1	.0111
06-5	G104-1783105	FM-GPW-18354	WO-A-1687	POINT SET, distributor (AL-IGP-3028FS)	as req.	.619
				(Consists of:		
		FM-GPW-12162 FM-GPW-12218 FM-GPW-12177	WO-A-1570 WO-A-1564 WO-A-1653	1 ARM, assembly		
				1 CONTACT)		
06-5, 6	G167-0903749			RING, retaining, distributor cam (AL-IG-680) (Note 1)	1	.0326

Note 1—Also in KIT, FM-GPW-18343, WO-A-7843.



RA PD 342269

FIGURE 06-5—DISTRIBUTOR ASSEMBLY (OPEN TYPE)—EXPLODED VIEW

Key	Part Name	Ford Part No.	Willys Part No.	Group No.
A	CAP, assembly	FM-GPW-12106	WO-A-1655	0603
B	ROTOR	FM-GPW-12200	WO-A-1658	0603
C	SCREW	FM-31588-S7	WO-A-1636	0603
D	WASHER	FM-34803-S7	WO-52221	0603
E	SCREW	FM-31026-S7	WO-A-1670	0603
F	CONDENSER, assembly	FM-GPW-12300	WO-A-1631	0603
G	PLATE	FM-GPW-12010	WO-A-1664	0603
H	WICK	FM-GPW-12133	WO-A-1671	0603
J	RING	FM-GPW-12177	WO-A-1653	0603
K	PLATE, assembly	FM-GPW-12176	WO-A-1661	0603
L	SPRING	FM-GPW-12191	WO-A-1684	0603
M	WASHER	FM-GPW-12120	WO-A-1672	0603
N	WEIGHT	FM-GPW-12188	WO-A-1676	0603
P	SHAFT	FM-GPW-12178	WO-A-1678	0603
Q	WASHER	FM-GPW-12182	WO-A-1673	0603
R	SPRING	FM-GPW-12144	WO-A-1682	0603
S	BASE, assembly	FM-GPW-12139	WO-A-1679	0603
T	ARM	FM-GPW-12155	WO-A-1674	0603
U	RIVET	FM-72867-S	WO-A-1685	0603
V	WASHER	FM-GPW-12267	WO-A-1654	0603
W	COLLAR	FM-GPW-12195	WO-A-1659	0603
X	WASHER	FM-GPW-12193	WO-106740	0603
Y	OILER	FM-B-10141	WO-107128	0603
Z	PIN	FM-GPW-12145	WO-A-1683	0603
AA	SPRING SET	FM-GPW-12084	WO-A-1677	0603
AB	COVER	FM-GPW-12174	WO-A-1660	0603
AC	WASHER	FM-34803-S7	WO-5168	0603
AD	SCREW	FM-31583-S7	WO-A-1686	0603
AE	SCREW	FM-36787-S7	WO-A-1633	0603
AF	WASHER	FM-34701-S7	WO-A-1667	0603
AG	CLIP	FM-GPW-12217	WO-A-1663	0603
AH	POINT SET	FM-GPW-18354	WO-A-1687	0603
AJ	WASHER	FM-34902-S2	WO-52754	0603
AK	SCREW	FM-31027-S8	WO-A-1668	0603

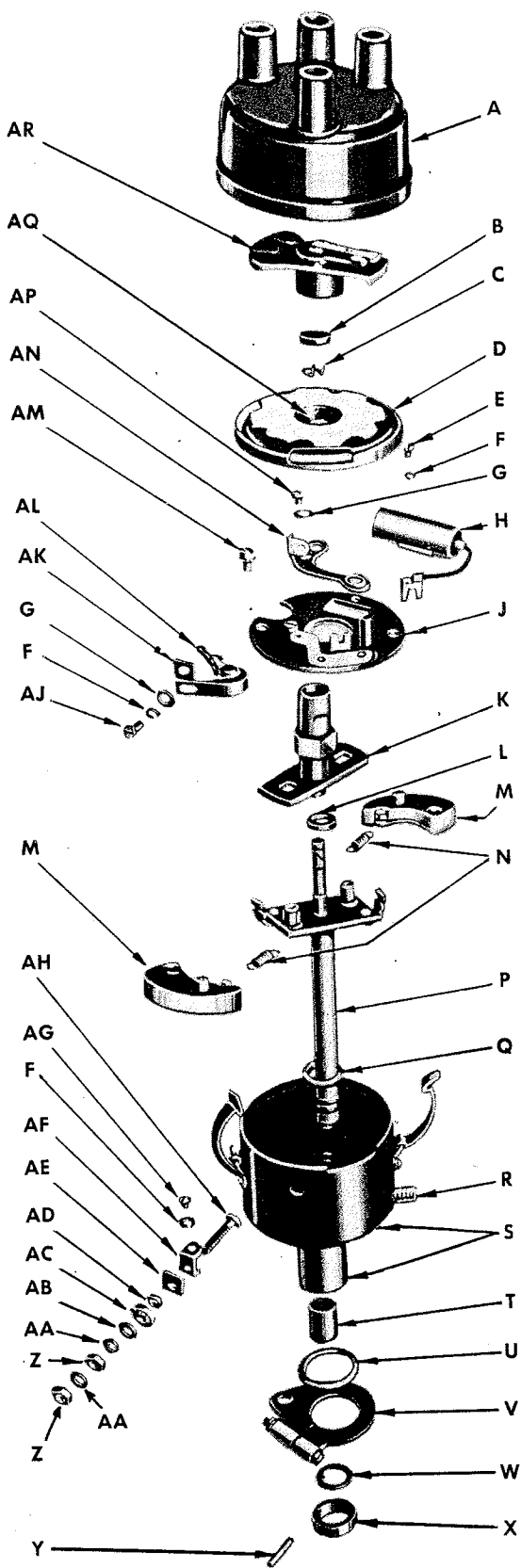
RA PD 342269A

**FIGURE 06-5A—LEGEND FOR 06-5—DISTRIBUTOR
ASSEMBLY (OPEN TYPE)—EXPLODED VIEW**

GROUP 06—ELECTRICAL (Cont'd)

Figure Number	Official Stock Number	Piece Mark or Part Number		ITEM	Quant. Reqd. per Unit Assy.	Unit Price
		Ford No.	Willys No.			
Col. 1	Col. 2	Col. 3	Col. 4	Col. 5	Col. 6	Col. 7
0603—DISTRIBUTOR (REGULAR TYPE) (Cont'd) (See also Group 0603-1)						
06-5, 6	G503-0373638	FM-GPW-12200	WO-A-1658	ROTOR, distributor (AL-IG-1657R)	1	.293
06-5, 6	H001-5125801	FM-31027-S8	WO-A-1668	SCREW, distributor breaker contact (oval-fil-hd., S., zn-pltd., No. 8 (0.164)-32NC x $\frac{3}{16}$) (AL-8X-884) (Note 1)	1	
06-5, 6	G116-1782009	FM-36787-S7	WO-A-1633	SCREW, distributor breaker arm (hex-hd., S., cd-pltd., slotted, No. 6 (0.138)-32NC x $\frac{3}{16}$) (AL-ICG-175) (Note 1)	1	
06-5	2980-IGS-1134L	FM-GPW-12178	WO-A-1678	SHAFT, drive, distributor, assembly (AL-IGS-1134L)	1	
	2980-IGS-2134L	FM-GPW-12175	WO-A-1675	SHAFT, drive, distributor, w/GOVERNOR, assembly (AL-IGS-2134L)	1	1.14
06-5	2980-IGT-69	FM-GPW-12191	WO-A-1684	SPRING, distributor, antirattle (AL-IGT-69)	1	.0652
	G121-0389891	FM-GPW-12169	WO-A-1587	SPRING, distributor breaker arm (AL-IGP-30)	1	
06-5	G121-0389890	FM-GPW-12144	WO-A-1682	SPRING, distributor cap (AL-IG-694) (Note 1)	2	
	G067-0905419	FM-GPW-12012	WO-A-1657	SPRING, distributor contact (AL-IG-515)	1	.0065
01-3		FM-GPW-12083	WO-637615	SPRING, friction, distributor shaft	1	.0029
06-5	2980-IGB-202S	FM-GPW-12084	WO-A-1677	SPRING SET, distributor governor weight (AL-IGB-202S) (consists of two springs)	1	.13
06-5, 6	H001-7043561	FM-34701-S7	WO-A-1667	WASHER, distributor breaker arm screw (plain, S., cd-pltd., USS., No. 6 (0.138)) (AL-8X-353) (Note 1)	1	
06-5	H001-1519006	FM-34902-S	WO-52754	WASHER, lock distributor breaker contact screw (S., internal tooth, flat type No. 8 (0.164))	1	
06-5, 6	G067-0906491	FM-GPW-12120	WO-A-1672	WASHER, spacer, distributor cam spring (AL-IGS-99) (Note 1)	1	.013
06-5, 6	G116-1843100	FM-GPW-12267	WO-A-1654	WASHER, thrust, distributor advance arm (AL-IG-816C)	1	.0065
06-5, 6	G067-3442601	FM-GPW-12193	WO-106740	WASHER, thrust, distributor drive shaft, lower (AL-IG-90) (Note 1)	1	
06-5, 6	G067-0906960	FM-GPW-12182	WO-A-1673	WASHER, thrust, distributor shaft, upper (AL-IGS-104) (Note 1)	1	
06-5	G116-1845184	FM-GPW-12188	WO-A-1676	WEIGHT, distributor governor, assembly (AL-IG-2456)	2	.163
06-5, 6	G121-0447500	FM-GPW-12133	WO-A-1671	WICK, oiling, distributor cam (felt) (AL-IGH-28) (Note 1)	1	
0603-1—DISTRIBUTOR (DUSTPROOF TYPE)						
NOTE: The following parts apply to FM-GPW-12100-B, WO-A-9075, AL-IAD-4008 DISTRIBUTOR. For the component parts of FM-GPW-12100, WO-A-1244, AL-IGC-4705 DISTRIBUTOR see GROUP 0603. All parts not listed below are the same on both distributors.						
06-6		FM-GPW-12139-B	WO-A-9313	BASE, dustproof distributor, assembly (AL-IAD-2001)	1	
06-6		FM-GPW-12167	WO-A-10278	BUSHING, dustproof distributor terminal post (AL-IAD-10)	1	
06-6	G503-0131548	FM-GPW-12106-B	WO-A-9307	CAP, dustproof distributor, assembly (AL-IG-1324-D)	1	
06-6		FM-GPW-12165	WO-A-10276	CONNECTOR, dustproof distributor terminal post assembly (AL-IAD-7)	1	

Note 1—Also in KIT, FM-GPW-18343, WO-A-7843.



Key	Part Name	Ford Part No.	Willys Part No.	Group No.
A	CAP, assembly...	FM-GPW-12106-B..	WO-A-9307....	.0603-1
B	WICK.....	FM-GPW-12133....	WO-A-1671....	.0603
C	RING.....	FM-GPW-12177....	WO-A-1653....	.0603
D	SEAL.....	FM-GPW-12094..	WO-A-9316....	.0603-1
E	SCREW.....	FM-31026-S7.....	WO-A-1670....	.0603
F	WASHER.....	FM-34801-S7.....	WO-A-1669....	.0603
G	WASHER.....	FM-34701-S7.....	WO-A-1667....	.0603
H	CONDENSER.....	FM-GPW-12300....	WO-A-1631....	.0603
J	PLATE, assembly...	FM-GPW-12010-B..	WO-A-9309....	.0603-1
K	PLATE.....	FM-GPW-12176-B..	WO-A-9308....	.0603-1
L	WASHER.....	FM-GPW-12120....	WO-A-1672....	.0603
M	WEIGHT.....	FM-GPW-12188-B..	WO-A-9314....	.0603-1
N	SPRING SET.....	FM-GPW-12084-B..	WO-A-10047...	.0603-1
P	SHAFT.....	FM-GPW-12178-B..	WO-A-9312....	.0603-1
Q	WASHER.....	FM-GPW-12182....	WO-A-1673....	.0603
R	OILER.....	FM-B-10141.....	WO-107128....	.0603
S	BASE, assembly...	FM-GPW-12139-B..	WO-A-9313....	.0603-1
T	BEARING.....	FM-GPW-12082....	WO-A-1681....	.0603
U	WASHER.....	FM-GPW-12267....	WO-A-1654....	.0603
V	ARM.....	FM-GPW-12155....	WO-A-1674....	.0603
W	WASHER.....	FM-GPW-12193....	WO-106740....	.0603
X	COLLAR.....	FM-GPW-12195....	WO-A-1659....	.0603
Y	RIVET.....	FM-72867-S.....	WO-A-1685....	.0603
Z	NUT.....	FM-34079-S7.....	WO-A-5260....	.0603
AA	WASHER.....	FM-34803-S7.....	WO-5168.....	.0603-1
AB	WASHER.....	FM-34703-S7.....	WO-A-5262....	.0603-1
AC	WASHER.....	FM-GPW-12157....	WO-A-10280....	.0603-1
AD	BUSHING.....	FM-GPW-12167....	WO-A-10278....	.0603-1
AE	INSULATION.....	FM-GPW-12166....	WO-A-10277....	.0603-1
AF	CONNECTOR.....	FM-GPW-12165....	WO-A-10276....	.0603-1
AG	SCREW.....	FM-26451-S7.....	WO-A-9315....	.0603-1
AH	POST.....	FM-GPW-12163....	WO-A-10279....	.0603-1
AJ	SCREW.....	FM-36787-S7.....	WO-A-1633....	.0603
AK	CLIP.....	FM-GPW-12217....	WO-A-1663....	.0603
AL	ARM, assembly...	FM-GPW-12162....	WO-A-1570....	.0603
AM	SCREW.....	FM-350110-S7....	WO-A-9318....	.0603-1
AN	CONTACT.....	FM-GPW-12218....	WO-A-1564....	.0603
AP	SCREW.....	FM-31027-S8.....	WO-A-1668....	.0603
AQ	WASHER.....	FM-GPW-12095....	WO-A-9317....	.0603-1
AR	ROTOR.....	FM-GPW-12200....	WO-A-1658....	.0603

RA PD 342270

FIGURE 06-6—DISTRIBUTOR ASSEMBLY (DUSTPROOF TYPE)—EXPLODED VIEW

GROUP 06—ELECTRICAL (Cont'd)

0603-1

Figure Number	Official Stock Number	Piece Mark or Part Number		ITEM	Reqd. per Unit Assy.	Unit Price	
		Ford No.	Willys No.				
Col. 1	Col. 2	Col. 3	Col. 4	Col. 5	Col. 6	Col. 7	
0603-1—DISTRIBUTOR (DUSTPROOF TYPE) (Cont'd)							
01-2, 3 06-6	2980-IAD-4008 2980-KIT-121	FM-GPW-12100-B FM-GPW-12166 FM-GPW-18343-B	WO-A-9075 WO-A-10277 WO-A-15098	DISTRIBUTOR, dustproof, assembly (AL-IAD-4008)..... INSULATION, dustproof distributor terminal post (AL-IAD-8)..... KIT, repair, dustproof distributor (AL-KIT-121)..... (Consists of: 2 BEARING, shaft 1 BUSHING, terminal post 1 CLIP, breaker arm spring 1 CONNECTOR, terminal post 1 INSULATION, terminal post, inner 1 NUT, terminal post 1 POST, terminal 1 RING, retainer, cam 1 RIVET, drive shaft collar 1 SCREW, breaker arm spring clip (hex-hd., S., slotted No. 6 (0.138)-32NC-5/16) 2 SCREW, holding, breaker plate 1 SCREW, locking, stationary contact 1 SCREW, mounting, condenser 1 WASHER, breaker arm spring screw 1 WASHER, spacer, cam spring 2 WASHER, condenser screw 1 WASHER, contact lock adjusting screw 1 WASHER, insulating, terminal post 2 WASHER, lock, condenser terminal screw 1 WASHER, terminal post (plain) 1 WASHER, thrust, shaft, lower 1 WASHER, thrust, shaft, upper 1 WICK, washer, cam sleeve (felt))	1 1 1		
06-6	2980-IAD-2004	FM-GPW-12100-B	WO-A-9309	PLATE, breaker, dustproof distributor, assembly (AL-IAD-2004) (Includes: breaker plate, arm, clip, condenser, and attaching parts).....	1		
06-6		FM-350110-S7	WO-A-9318	SCREW, mach., fil-hd., S., cd-pltd., No. 10 (0.190)-32NC-2 x 5/8 (AL-X-2878).....	2		
06-6		FM-GPW-12176-B	WO-A-9310	PLATE, breaker, dustproof distributor (AL-IAD-1004).....	1		
06-6	G104-1742400	FM-GPW-12163	WO-A-9308	PLATE, dustproof distributor cam and stop (AL-IAD-1100-LB-1).....	1		
06-6		FM-34079-S7	WO-A-5260	POST, terminal, dustproof distributor base, assembly (AL-IGL-8).....	1		
06-6	H001-7025621	FM-34803-S7	WO-5168	NUT, mach. screw, hex., S., cd-pltd., No. 10 (0.190)-32NF-2.....	1		
06-6		FM-34703-S7	WO-A-5262	WASHER, lock, reg., S., cd-pltd., No. 10 (0.190).....	1		
				WASHER, plain, S., cd-pltd., No. 10 (0.190).....	1		

SNL G-503

106

06-6		FM-26451-S7	WO-A-9315	SCREW, dustproof distributor terminal post connector	1	
06-6		FM-GPW-12094	WO-A-9316	SEAL, dustproof distributor breaker plate (AL-IAD-2015)	1	
06-6		FM-GPW-12178-B	WO-A-9312	SHAFT, drive, dustproof distributor (AL-IGS-1134-LA)	1	
		FM-GPW-12175-B	WO-A-9311	SHAFT, drive, dustproof distributor, w/GOVERNOR, assembly (AL-IGS-2134-LA)	1	
06-6		FM-GPW-12084-B	WO-A-10047	SPRING SET, dustproof distributor governor weight (AL-IGB-350-S)	1	
06-6	2980-IAD-12	FM-GPW-12095	WO-A-9317	WASHER, dustproof distributor plate (AL-IAD-12)	1	
06-6		FM-GPW-12157	WO-A-10280	WASHER, insulating, dustproof distributor terminal post (AL-IGL-9)	1	
06-6		FM-GPW-12188-B	WO-A-9314	WEIGHT, governor, dustproof distributor, assembly (AL-IGC-2168-L)	1	
0604—IGNITION COIL						
		FM-GPW-12030	WO-A-1526	BRACKET, ignition coil (AL-IC-17980D)	1	
	3320-33796-S2	FM-33796-S2	WO-5914	NUT, reg., hex., S., 1/4-28NF-2	2	
	9680-635886	FM-357689-S7	WO-635886	STUD, S., cd-pltd., 1/4-20NC x 1 x 1/4-28NF-2	2	.0258
		FM-GPW-12064	WO-631105	WASHER, plain, S., black enameled, 9/32 in.	2	.0451
	H001-7124701	FM-351274-S7	WO-53024	WASHER, lock, S., cd-pltd., internal-external tooth, 1/4 in. (GM-174916)	4	
	H001-1530007	FM-34745-S2	WO-52702	WASHER, plain, S., SAE., 1/4 in.	2	
	G134-0138795	FM-GPA-12000		COIL, ignition, 12V. (Note 1)	1	
01-2, 3	G503-0139784	FM-GPW-12000	WO-A-1424	COIL, ignition, w/BRACKET and WASHER, assembly	1	1.63
	G503-0139784	FM-GPW-12000-B	WO-A-7792	COIL, ignition, w/BRACKET and WASHER, assembly (coil does not have bottom ground connection) (AL-IG-4070L)	1	
0604A—IGNITION WIRING						
		FM-GPW-12091-A	WO-301435	BUSHING, spark plug cable support (rubber, 11/16 in. hole)	1	
	3320-GPW-14321	FM-GPW-14321	WO-A-5083	CABLE, coil primary (low tension) (Note 2)	1	
06-12	3320-GPW-12298-B	FM-GPW-12298-B	WO-A-1420	CABLE, coil secondary (high tension) (Note 2)	1	
06-12	3320-GPW-12287	FM-GPW-12287	WO-A-1412	CABLE, spark plug, No. 1 (Note 2)	1	
06-12	3320-GPW-12284	FM-GPW-12284	WO-A-1414	CABLE, spark plug, No. 2 (Note 2)	1	
	3320-GPW-12283	FM-GPW-12283	WO-A-1416	CABLE, spark plug, No. 3 (Note 2)	1	
	3320-GPW-12286	FM-GPW-12286	WO-A-1418	CABLE, spark plug No. 4 (Note 2)	1	
	G502-0196319	FM-GPW-18364	WO-A-6757	KIT, repair, ignition wiring (superseded by KIT, FM-GPW-18364-B, WO-A-7844)	1	
				(Consists of:		
		FM-GPW-12287	WO-A-1412	1 CABLE, spark plug No. 1		
		FM-GPW-12284	WO-A-1414	1 CABLE, spark plug No. 2		
		FM-GPW-12283	WO-A-1416	1 CABLE, spark plug No. 3		
		FM-GPW-12286	WO-A-1418	1 CABLE, spark plug No. 4		
	3320-GPW-18364-B	FM-GPW-12298-B	WO-A-1420	1 CABLE, coil, secondary		
		FM-GPW-18364-B	WO-A-7844	KIT, repair, ignition wiring (supersedes KIT, FM-GPW-18364, WO-A-6757)	1	.88
				(Consists of:		
		FM-GPW-12287	WO-A-1412	1 CABLE, No. 1		
		FM-GPW-12284	WO-A-1414	1 CABLE, No. 2		
		FM-GPW-12283	WO-A-1416	1 CABLE, No. 3		
		FM-GPW-12286	WO-A-1418	1 CABLE, No. 4		
		FM-GPW-14321	WO-A-5083	1 CABLE, coil, primary		
		FM-GPW-12298-B	WO-A-1420	1 CABLE, coil, secondary		

Note 1—Only for vehicles modified by MWO ORD G503-W7 (see page 3). Note 2—Also in KIT, FM-GPW-18364-B, WO-A-7844.

GROUP 06—ELECTRICAL (Cont'd)

Figure Number	Official Stock Number	Piece Mark or Part Number		ITEM	Quant. Reqd. per Unit Assy.	Unit Price
		Ford No.	Willys No.			
Col. 1	Col. 2	Col. 3	Col. 4	Col. 5	Col. 6	Col. 7
				0604A—IGNITION WIRING (Cont'd)		
	3320-9N-12113-A	FM-9N-12113-A	WO-327257	SEAL, weather, spark plug cables, distributor end (rubber) (superseded by SEAL, FM-9N-12113-A, WO-393594).....	5	
	G067-0906045	FM-B-14463	WO-393594	SEAL, weather, spark plug cables, distributor end (supersedes SEAL, WO-327257).....	5	.0217
	G166-0398794	FM-GPW-12006	WO-307556	TERMINAL, coil primary cable.....	2	.0042
		FM-B-14466	WO-A-1652	TERMINAL, spark plug cables, high tension (AL-IG-94).....	5	.0065
			WO-314369	TERMINAL, spark plug cables and coil secondary cable.....	5	
				0604B—SPARK PLUGS		
	9150-2066C-C1	FM-11A-12425	WO-A-1096	CAP, spark plug insulator.....	4	
		FM-01A-12410	WO-637863	GASKET, spark plug (VC-2066C-C1) (MDR-AM-504K) (also in GASKET SET, FM-GPW-18387, WO-A-1537).....	4	
	G503-0340680	FM-GPW-12405	WO-A-538	PLUG, spark, w/GASKET, assembly (14MM) (AL type-AN-7) <i>AVOLUTE 2443</i>	4	.293
				0604C—IGNITION LOCK		
		FM-GPW-3685-B	WO-A-6814	HANDLE, ignition switch.....	1	
		FM-GPW-3685	WO-A-2518	KEY, ignition switch.....	1	
			WO-A-6813	NUT, mounting, ignition switch (DM-53170A).....	1	
		FM-26457-S7	WO-52131	SCREW, ignition switch terminal (mach., rd-hd., S., cd-pltd., No. 8 (0.164)-32NC-2 x 1/4).....	2	
	2760-5941	FM-GPW-3686	WO-A-2517	SWITCH, ignition, key type, assembly.....	1	
18-1	G671-5636599	FM-GPW-3686-B	WO-A-6811	SWITCH, ignition, keyless type, assembly (DM-6282).....	1	.538
	G518-7000186	FM-356229-S7	WO-A-1350	WASHER, lock, internal tooth, S., cd-pltd., No. 8 (0.164) (ignition switch terminal) (DM-51104).....	2	.0026
				0605—INSTRUMENTS		
	G116-0400021	FM-GPW-10850	WO-A-5231	AMMETER, 50 amp., assembly (AL-10075-A) (superseded by AMMETER, FM-GPW-10850-B, WO-A-8186).....	1	2.04
18-1	2980-10-311A	FM-GPW-10850-B	WO-A-8186	AMMETER, 50 amp. (AL-10311A) (supersedes AMMETER, FM-GPW-10850, WO-A-5236).....	1	
			WO-5848	NUT, mach. screw, hex., S., No. 10 (0.190)-32NF (AL-8170) (Willys only).....	4	
			WO-A-8129	WASHER, lock, S., No. 10 (0.190) (AL-2229) (Willys only).....	2	
			WO-A-8130	BRACKET, mounting, ammeter (AL-9288-A) (Willys only).....	1	
			WO-A-8132	BRACKET, mounting, fuel gage (AL-10063) (Willys only).....	1	

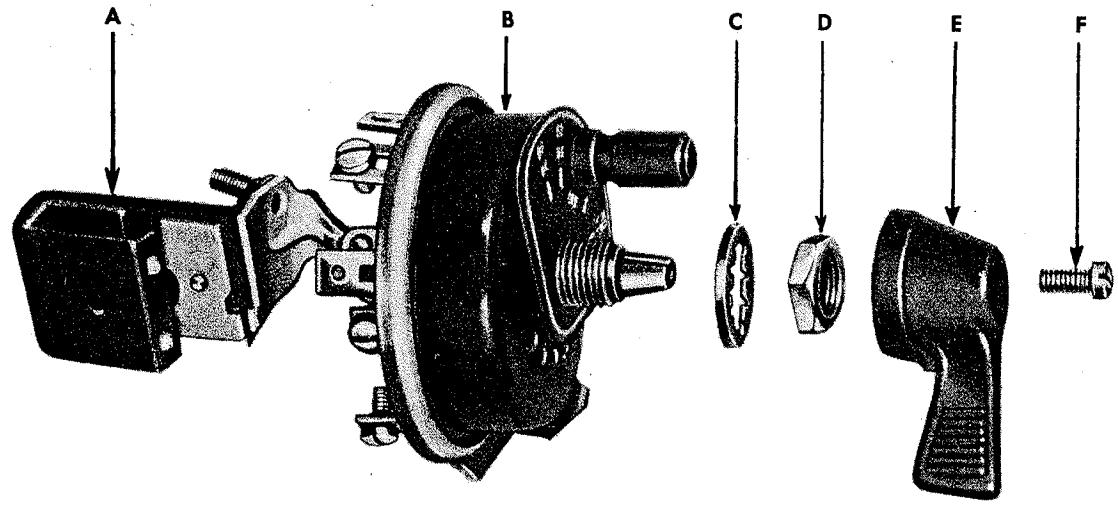
SNL G-503

108

0604A-0605

	G116-0400771		WO-A-8131	BRACKET, mounting, oil pressure gage and heat indicator (AL-21608) (Willys only)	2	
			WO-A-1268	GAGE, fuel, assembly (AL-9799-A) (superseded by GAGE, FM-GPW-9280, WO-A-8184)	1	
18-1	G503-0194062	FM-GPW-9280	WO-A-8184	GAGE, fuel (AL-10313-A) (supersedes GAGE, WO-A-1268)	1	1.043
	G121-0194050	FM-GPA-9280		GAGE, fuel, assembly (<i>Note 1</i>)	1	
			WO-A-1269	GAGE, oil pressure, assembly (AL-1017-1) (superseded by GAGE, FM-GPW-9273, WO-A-8190)	1	
18-1	G121-0194050	FM-GPW-9273	WO-A-8190	GAGE, oil pressure, assembly (AL-10310-A) (supersedes GAGE, WO-A-1269)	1	1.29
			WO-6536	NUT, mach., screw, hex., S., No. 10 (0.190)-32NF (AL-2235) (Willys only)	4	
			WO-A-8129	WASHER, lock, S., No. 10 (0.190) (AL-2229) (Willys only)	2	
	G503-0232469	FM-GPW-9319-A	WO-662420	GROMMET, heat indicator tube through dash (rubber, $\frac{3}{16}$ in.)	1	.0212
			WO-A-1270	INDICATOR, heat, assembly (AL-10014-A) (superseded by INDICATOR, FM-GPW-10883, WO-A-8188)	1	
18-1	G503-0232469	FM-GPW-10883	WO-A-8188	INDICATOR, heat, assembly (Motor Meter) (AL-10312) (supersedes INDICATOR, WO-A-1270)	1	2.12
0605C—PANEL LIGHT						
	H004-0501303	FM-GPW-13713	WO-A-1748	ADAPTER, instrument panel light (DM-29392)	2	.0982
	H004-0504780	FM-GPW-13704	WO-A-1334	SHIELD, instrument panel light, assembly	2	.0614
06-12	3320-GPW-13710	FM-GPW-13710	WO-A-1411	SOCKET, instrument panel light, w/CABLE, assembly (includes two SOCKETS)	1	.136
0606—SWITCHES						
	3320-GPWS-18935	FM-GPWS-18935		CONDENSER, cranking motor switch and regulator terminal (<i>Note 1</i>)	2	
			WO-A-1347	CONTROL, lockout, lighting switch, assembly (DM-5943)	1	
06-7	G503-7036865	FM-G8T-11661	WO-A-11868	HANDLE, lighting and blackout driving rotary switch (DM-53875-A)	1	
06-7		FM-31045-S7	WO-A-11870	SCREW, mach. (S., cd-pltd., special, fil-hd., No. 8 (0.164)-32NC-2 x $\frac{3}{8}$ (DM-53895))	1	
			WO-A-6152	KNOB, blackout driving lamp switch, w/set SCREW, assembly	1	
	G503-7036866		WO-A-1348	KNOB, lighting switch, w/set SCREW, assembly (DM-5944)	1	
	G503-7088755		WO-A-1352	KNOT, instrument panel light switch, w/set SCREW, assembly (DM-5999)	1	
		FM-355944-S5	WO-A-1565	NUT, starting switch terminal (hex., S., cop-pltd., thin, $\frac{3}{16}$ -24NF-2)	2	
		FM-G8T-11670	WO-A-11869	PLATE, escutcheon, rotary lighting switch	1	
		FM-37622-S7	WO-A-5197	SCREW, lighting switch terminal (mach., fil-hd., S., cd-pltd., No. 8 (0.164)-32NC x $\frac{5}{16}$)	7	
	G518-7000186	FM-356229-S7	WO-A-1350	WASHER, lock, keyed, internal tooth, S., cd-pltd., No. 8 (0.164) (DM-51104)	7	.0026
	G503-0393790	FM-GTB-13739	WO-A-6149	SWITCH, blackout driving light, assembly (DM-398) (includes: KNOB, w/set SCREW and attaching parts)	1	
			WO-A-1351	SWITCH, blackout driving light, assembly (Willys only, after serial 163750)	1	
			WO-A-1353	NUT, hex., S., $\frac{3}{8}$ -24NF-2 (DM-53414)	1	
			WO-52332	WASHER, lock, shakeproof, $\frac{3}{8}$ in. (DM-52947)	1	
		FM-G8T-13532	WO-A-12056	SWITCH, dimmer, headlight, foot, assembly (has closed type terminals)	1	
18-1	G503-0303785	FM-GPW-13532	WO-638979	SWITCH, dimmer, headlight, foot, assembly (CL-9654) (has push-in type terminals)	1	.228
		FM-26483-S7	WO-51492	SCREW, mach., rd-hd., S., cd-pltd., $\frac{1}{4}$ -20NC-2 x $\frac{1}{2}$	3	
	H001-1518007	FM-34805-S2	WO-52706	WASHER, lock, reg., S., $\frac{1}{4}$ in. (GM-103319)	3	

Note 1—Only for vehicles modified by MWO ORD G503-W7. (see page 3).



Key	Part Name	Ford Part No.	Willys Part No.	Group No.
A	BREAKER.....	FM-GPW-12250-C.....	WO-A-1349.....	0606D
B	SWITCH, assembly.....	FM-G8T-11649.....	WO-A-11866.....	0606
C	WASHER.....	FM-34922-S.....	WO-636528.....	0606
D	NUT.....	FM-356036-S8.....	WO-A-11871.....	0606
E	HANDLE.....	FM-G8T-11661.....	WO-A-11868.....	0606
F	SCREW.....	FM-31045-S7.....	WO-A-11870.....	0606

RA PD 342276

FIGURE 06-7—LIGHTING SWITCH (ROTARY TYPE)

GROUP 06—ELECTRICAL (Cont'd)

Figure Number	Official Stock Number	Piece Mark or Part Number		ITEM	Quant. Req'd. per Unit Assy.	Unit Price
		Ford No.	Willys No.			
Col. 1	Col. 2	Col. 3	Col. 4	Col. 5	Col. 6	Col. 7
0606—SWITCHES (Cont'd)						
18-1	G116-1793792	FM-GPW-13740	WO-A-1333	SWITCH, instrument panel light (DM-5995).....	1	.293
			WO-A-1353	NUT, mounting, hex., S., 3/8-24NF-2 (DM-53414) (Willys only).....	1	
	H001-5147511	FM-26456-S7	WO-52131	SCREW, mach., rd-hd., S., cd-pltd., No. 8 (0.164)-32NC-2 x 1/4.....	2	
		FM-356229-S7	WO-A-1350	WASHER, lock, keyed, internal tooth, S., cd-pltd., No. 8 (0.164).....	2	.0026

	H004-0506605 G503-0393789	FM-GPW-11649	WO-52332 WO-A-1345 WO-A-1332	WASHER, lock, reg., S., $\frac{3}{8}$ in. (DM-52947) (Willys only)..... SWITCH, lighting (DM-5969) (superseded by SWITCH, FM-GPW-11649, WO-A-1332) SWITCH, lighting, assembly (DM-5970) (includes: circuit BREAKER, lockout CONTROL KNOB, w/set SCREW and attaching parts) (supersedes SWITCH, WO-A-1345).....	1 1 1	
06-7, 12, 18-1	G503-7036582	FM-G8T-11654 FM-G8T-11649	WO-A-11867 WO-A-11866	SWITCH, lighting and blackout driving light, rotary type (DM-6203)..... SWITCH, lighting and blackout driving light, rotary type, w/circuit BREAKER, assembly (DM-6244).....	1 1	
06-7 06-7		FM-356036-S8 FM-34922-S	WO-A-11871 WO-636528	NUT, thin, hex., S., zn-pltd., $\frac{1}{2}$ -20NF-2 (DM-53879).....	1	
18-1	G503-0393787 2980-SW-4015	FM-9N-11450-A	WO-A-6181 WO-A-7225	WASHER, lock, S., internal tooth, flat type, $\frac{1}{2}$ in..... SWITCH, starting (superseded by SWITCH, FM-9N-11450-A, WO-A-7225)..... SWITCH, starting (AL-SW-4015) (superseded by SWITCH, FM-GPW-11450, WO-A- 17143).....	1 1 1	30
	G067-0905860	FM-GPW-11450 FM-20309-S7	WO-A-17143 WO-51732	SWITCH, starting (supersedes SWITCH, FM-9N-11450-A, WO-A-7225)..... BOLT, hex-hd., S., cd-pltd., $\frac{1}{4}$ -28NF-2 x $\frac{1}{2}$	1 2	
	H001-4167520 H001-1518007	FM-33796-S2 FM-34805-S2	WO-5914 WO-52031	NUT, reg., hex., S., $\frac{1}{4}$ -28NF-2 (GM-103024)..... WASHER, lock, reg., S., $\frac{1}{4}$ in. (GM-103319).....	2 2	
12-4	G085-2102215	FM-11A-13480	WO-A-1271	SWITCH, stop light.....	1	.217
0606B—CHASSIS WIRING						
06-12		FM-GPW-13181	WO-A-1653	CABLE, blackout driving light connector to switch (black and white tracings) (after Willys serial No. 163750).....	1	
		FM-GPW-14457 FM-GPW-14456	WO-A-5078 WO-A-5079	CABLE, filter, battery to starting switch (also in KIT, FM-GPW-18361-B, WO-A-7845) CABLE, filter, coil primary to function block (also available as part of KIT, FM-GPW- 18361-B, WO-A-7845).....	1 1	
		FM-GPW-14459	WO-A-5073	CABLE, filter, regulator to junction block (also available as part of KIT, FM-GPW- 18361-B, WO-A-7845).....	1	
		FM-GPW-14416	WO-A-5080	CABLE, filter, regulator to junction block (also available as part of KIT, FM-GPW- 18361-B, WO-A-7845).....	1	
		FM-GPW-18846 FM-GPW-14465	WO-A-5041 WO-A-5082	CABLE, fuel gage to circuit breaker (also available as part of KIT, FM-GPW-18361-B, WO-A-7845)..... CABLE, generator regulator to generator ("G" cable bond No. 6).....	1 1	
06-12	3320-GPW-14465	FM-GPW-14465	WO-A-5082	CABLE, generator regulator to junction box (also in KIT, FM-GPW-18361-B, WO-A-7845).....	1	
		FM-GPW-14458	WO-A-5072	CABLE, ignition switch to ammeter to blackout switch (also in KIT, FM-GPW-18361-B, WO-A-7845).....	1	
		FM-GPW-14406	WO-A-5070	CABLE, instrument panel fuel gage to fuel tank unit (also in KIT, FM-GPW-18361-B, WO-A-7845).....	1	
		FM-GPW-14561 FM-GPW-14560	WO-A-5598 WO-A-5449	CLIP, open $\frac{1}{4}$ in., $\frac{7}{32}$ in. bolt hole..... CLIP, open, $\frac{5}{16}$ in., $\frac{7}{32}$ in. bolt hole.....	8 13	.0041 .0174
	H001-0716540	FM-355836-S7 FM-355131-S FM-32866-S2	WO-6352 WO-5064 WO-52889	NUT, mach. screw., hex., S., cd-pltd., No. 10 (0.190)-24NC-2 (GM-110633)..... SCREW, machine, rd-hd., S., No. 10 (0.190)-24NC-2 x $\frac{5}{8}$ SCREW, sheet metal, No. 10 (0.190) x $\frac{5}{8}$ (to body floor).....	11 11 1	
		FM-31866-S FM-34803-S7	WO-5580 WO-52221	SCREW, wood, rd-hd., S., No. 10 (0.190) x $\frac{5}{8}$ (to floor)..... WASHER, lock, S., cd-pltd., No. 10 (0.190) (GM-120217).....	1 11	
	H001-7025621	FM-GPW-9295	WO-A-5450	CLIP, S., open, $\frac{7}{16}$ in., $\frac{7}{32}$ in. bolt hole.....	6	.0152
	H001-0716540	FM-355836-S7 FM-355131-S	WO-6352 WO-5064	NUT, mach. screw, hex., S., cd-pltd., No. 10 (0.190)-24NC-2 (GM-110633)..... SCREW, machine, rd-hd., S., No. 10 (0.190)-24NC-2 x $\frac{5}{8}$	6 6	
	H001-7025621	FM-34803-S7	WO-52221	WASHER, lock, reg., S., cd-pltd., No. 10 (0.190) (GM-120217).....	6	

GROUP 06—ELECTRICAL (Cont'd)

0606B

Figure Number	Official Stock Number	Piece Mark or Part Number		ITEM	Quant. Req'd. per Unit Assy.	Unit Price
		Ford No.	Willys No.			
Col. 1	Col. 2	Col. 3	Col. 4	Col. 5	Col. 6	Col. 7
				0606B—CHASSIS WIRING (Cont'd)		
		FM-GPW-14589	WO-A-1289	CLIP, S., closed, 7/16 in., 13/32 bolt hole (under foot rest to floor pan bolt)	1	
		FM-356305-S	WO-52768	WASHER, plain, S., 21/64 in.	1	.0083
		FM-GPW-14566	WO-78932	CLIP, S., zn-pltd., 5/8 in., 1/4 in. bolt hole	2	.0137
	H001-0716540	FM-355836-S7	WO-6352	NUT, mach. screw, hex., S., cd-pltd., No. 10 (0.190)-24NC-2 (GM-110633)	2	
		FM-355131-S	WO-5064	SCREW, machine, rd-hd., S., No. 10 (0.190)-24NC-2 x 5/8	2	
	H001-7025621	FM-34803-S7	WO-52221	WASHER, lock, reg., S., cd-pltd., No. 10 (0.190) (GM-120217)	2	
06-12	3320-GPW-14487-A	FM-GPW-14487-A	WO-635895	CONNECTOR (3 wire)	3	.0248
06-12	3320-GPW-14487-B	FM-GPW-14487-B	WO-635981	CONNECTOR (2 wire)	1	.0121
		FM-GPW-13437-A	WO-662276	GROMMET, wiring harness through dash, 5/8 in.	1	.0212
		FM-GPW-13434-A	WO-345961	GROMMET, wiring harness through dash, trailer coupling socket cable through floor pan, 1 1/2 in. (Note 1)	4	.0212
		FM-GPWS-14407	WO-A-6355	HARNESS, wiring, body (Note 1)	1	
	3320-GPW-14401-A	FM-GPW-14401-A		HARNESS, wiring, body, long (superseded by HARNESS, FM-GPW-14401-D)	1	
	3320-GPW-14401-B	FM-GPW-14401-B		HARNESS, wiring, body, long (superseded by HARNESS, FM-GPW-14401-D)	1	
	3320-GPW-14401-C	FM-GPW-14401-C		HARNESS, wiring, body, long (superseded by HARNESS, FM-GPW-14401-D) (also in KIT, FM-GPW-18361-B, WO-A-7845)	1	
06-12	3320-GPW-14401-D	FM-GPW-14401-D	WO-A-5048	HARNESS, wiring, body, long (supersedes HARNESS, FM-GPW-14401-A-B-C) (used with dimmer SWITCH, FM-GPW-13532, WO-638979)	1	
	3320-GPW-14401-F	FM-GPW-14401-F	WO-A-9220 WO-A-1551	HARNESS, wiring, body, long (used with dimmer SWITCH, WO-A-12056)	1	
	3320-GPW-14402	FM-GPW-14402		HARNESS, wiring, body, left side, short (superseded by HARNESS, FM-GPW-14402-B, WO-A-6154)	1	
06-12	3320-GPW-14402-B	FM-GPW-14402-B	WO-A-6154	HARNESS, wiring, body, left side, short (supersedes HARNESS, FM-GPW-14402, WO-A-1551) (used with separate blackout and lighting switches)	1	
		FM-GPW-14402-A	WO-A-9144	HARNESS, wiring, body, left side, short	1	
06-12	3320-GPW-14446	FM-GPW-14446	WO-A-5061	HARNESS, wiring, chassis, left side (also in KIT, FM-GPW-18361-B, WO-A-7845)	1	
06-12	3320-GPW-14305	FM-GPW-14305	WO-A-5074	HARNESS, wiring, generator to generator regulator and filter (Ford only) (also in KIT, FM-GPW-18361-B, WO-A-7845)	1	
	3320-GPW-14305-D	FM-GPW-14305-D	WO-A-7824	HARNESS, wiring, generator to voltage regulator (Willys only)	1	
	3320-GPW-14305-C	FM-GPW-14305-C		HARNESS, wiring, generator to voltage regulator (Note 2)	1	
06-12		FM-GPW-14432	WO-A-5981	HARNESS, wiring (includes the following 4 cables: ammeter to horn circuit breaker, filter (battery ammeter) to ammeter, filter (coil ignition switch) to ignition switch to gasoline gage circuit breaker, filter (regulator battery ammeter) to ammeter)	1	
06-12	3320-GPW-14425	FM-GPW-14425	WO-A-1665	HARNESS, wiring, headlight (also in KIT, FM-GPW-18361-B, WO-A-7845) (has metal conduit)	1	
	3320-GPW-14425-B	FM-GPW-14425-B	WO-A-7825	HARNESS, wiring, headlight (has fabric conduit)	1	

SNL G-503

112

3320-GPW-18361	FM-GPW-18361	WO-A-6758
3320-GPW-18361-D	FM-GPW-18361-D	
3320-GPW-18361-B	FM-GPW-18361-B	WO-A-7845
	FM-GPW-14457	WO-A-5078
	FM-GPW-14456	WO-A-5079
	FM-GPW-14459	WO-A-5073
	FM-GPW-14406	WO-A-5070
	FM-GPW-14416	WO-A-5080
	FM-GPW-14409	WO-A-5081
	FM-GPW-14458	WO-A-5072
	FM-GPW-14465	WO-A-5082
	FM-GPW-14305	WO-A-5074
	FM-GPW-14401-C	WO-A-5048
	FM-GPW-14446	WO-A-5061
	FM-GPW-14425	WO-A-1665
G503-0125900	FM-GPW-12250-A	WO-A-1733
G503-0125901	FM-GPW-12250-B	WO-A-1734
G104-1526008	FM-GPW-12250-E	WO-A-15804
H001-4135621	FM-34052-S2	WO-6214
	FM-26496-S	WO-5780
H001-1518004	FM-34802-S2	WO-52705
G503-0325902	FM-GPW-12250-C	WO-A-1349
3320-GPW-14448-C	FM-GPW-14448-C	WO-639599
	FM-355131-S	WO-5064
H001-7025621	FM-34803-S7	WO-52221
3320-GPW-14448-B	FM-GPW-14448-B	
3320-GPW-14448-D	FM-GPW-14448-D	WO-A-1490
	FM-355160-S	WO-5272
H001-7025621	FM-34803-S7	WO-52221
3320-GPA-13189	FM-GPA-13189	
3320-356299-S	FM-356299-S	WO-A-1089

KIT, repair, wiring harness	1
KIT, repair, wiring harness	1
KIT, repair, wiring harness	1
(Consists of:	
2 CABLE, filter to starter switch	
1 CABLE, filter to junction block	
1 CABLE, filter to junction block	
1 CABLE, gas gage to tank	
1 CABLE, gas gage to circuit breaker	
1 CABLE, horn to junction block	
1 CABLE, ignition switch to ammeter	
1 CABLE, generator regulator to junction block	
1 HARNESS, wiring, generator	
1 HARNESS, wiring, body, long	
1 HARNESS, wiring, chassis	
1 HARNESS, wiring, headlight)	

0606D—CIRCUIT BREAKERS

BREAKER, circuit, 5 amp. (between ignition switch and gas gage on instrument board) (superseded by BREAKER, FM-GPW-12250E, WO-A-15804)	1	.424
BREAKER, circuit, 15 amp. (between ammeter and horn) (superseded by BREAKER, FM-GPW-12250-E, WO-A-15804)	1	.424
BREAKER, circuit, 15 amp. (supersedes BREAKER, FM-GPW-12250-A, WO-A-1733; BREAKER, FM-GPW-12250-B, WO-A-1734)	2	
NUT, mach-screw., hex., S., No. 8 (0.164)-32NC-2	4	
SCREW, mach., rd-hd., S., No. 8 (0.164)-32NC-2 x 5/8	4	
WASHER, lock, reg., S., No. 8 (0.164) (GM-106496)	4	
BREAKER, circuit, 30 amp. (also included w/lighting SWITCH, assembly (DM-53097-A)	1	.244

0606E—JUNCTION BLOCKS

BLOCK, junction (superseded by BLOCK, FM-GPW-14448-C)	1	
BLOCK, junction, 2 post (headlight wires) (supersedes BLOCK, FM-GPW-14448)	2	.179
SCREW, mach., rd-hd., S., No. 10 (0.190)-24NC-2 x 5/8	4	
WASHER, lock, reg., S., cd-pltd., No. 10 (0.190)	4	
BLOCK, junction (superseded by BLOCK, FM-GPW-14448-D)	1	
BLOCK, junction, 6 post (body wiring harness) (supersedes BLOCK, FM-GPW-14448-B)	1	.358
SCREW, mach., rd-hd., S., No. 10 (0.190)-24NC-2 x 3/4	2	
WASHER, lock, reg., S., cd-pltd., No. 10 (0.190)	2	
RESISTOR, blackout driving light (Note 2)	1	
WASHER, terminal to block screw, special, S., 1/4 in.	10	

06-7

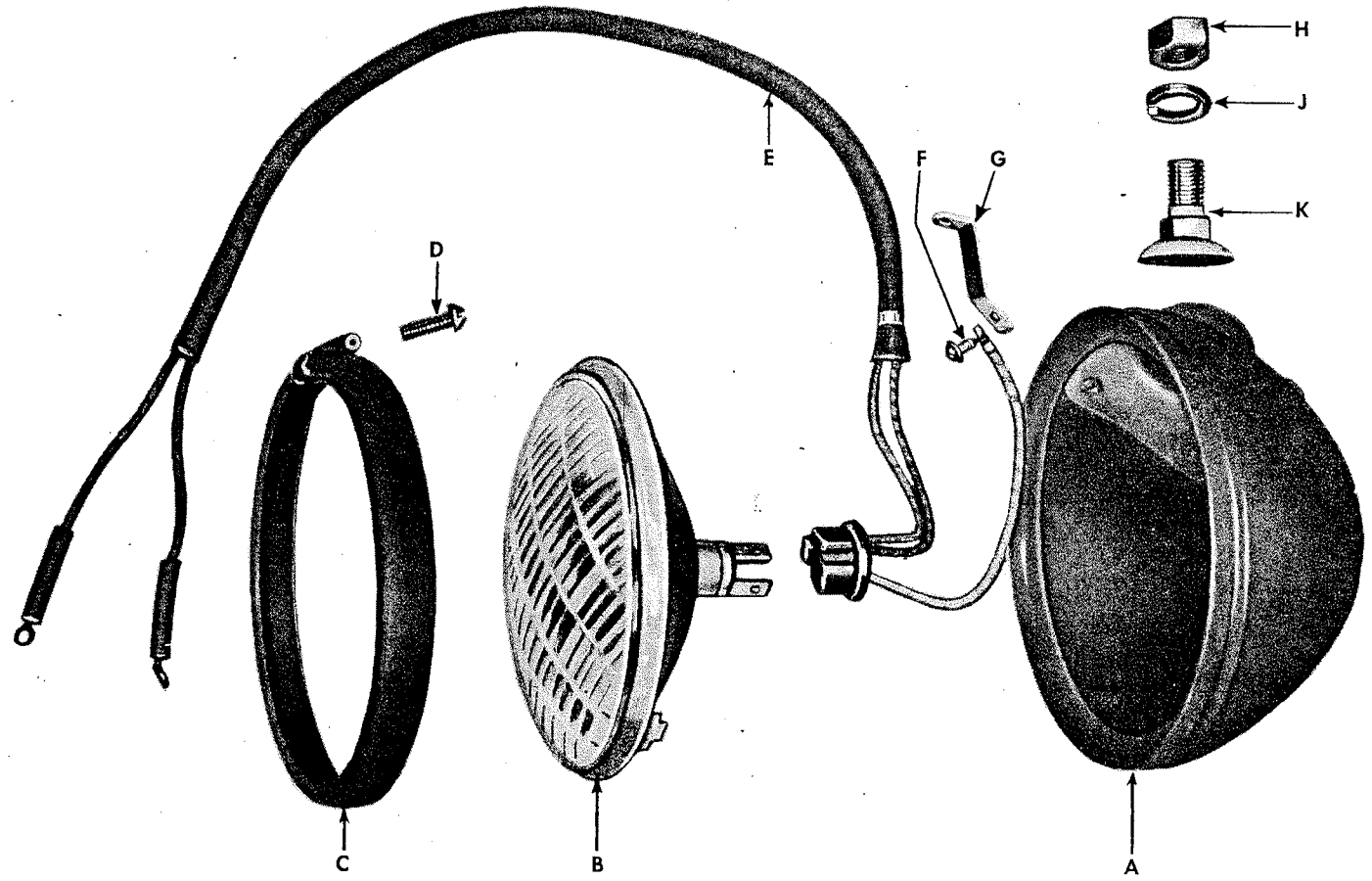
113

SNL G-503

0606B-0606E

Note 1—Only for vehicles modified by MWO ORD G503-W2 (see page 3).

Note 2—Only for vehicles modified by MWO ORD G503-W7 (see page 3).



Key	Part Name	Ford Part No.	Willys Part No.	Group No.
A	HOUSING, assembly	FM-GPW-13012	WO-A-15586	0607
B	LAMP UNIT, assembly	FM-GPW-13007	WO-A-1033	0607A
C	DOOR, assembly	FM-GPW-13043	WO-A-1036	0607
D	SCREW	FM-38095-S	WO-A-1037	0607
E	WIRE, assembly (left-hand)	FM-GPW-13076	WO-A-1362	0607
	WIRE, assembly (right-hand)	FM-GPW-13075	WO-A-1363	0607

Key	Part Name	Ford Part No.	Willys Part No.	Group No.
F	SCREW	FM-32706-S	WO-A-1032	0607
G	RETAINER	FM-GPW-13015	WO-A-1031	0607
H	NUT	FM-33846-S2	WO-5916	0607
J	WASHER	FM-34809-S	WO-5009	0607
K	BOLT	FM-GPW-13022	WO-A-1361	0607

FIGURE 06-8—HEADLIGHT ASSEMBLY

GROUP 06—ELECTRICAL (Cont'd)

Figure Number	Official Stock Number	Piece Mark or Part Number		ITEM	Quant. Req'd. per Unit Assy.	Unit Price
		Ford No.	Willys No.			
Col. 1	Col. 2	Col. 3	Col. 4	Col. 5	Col. 6	Col. 7
				0606F—TRAILER ELECTRIC COUPLING (Only for vehicles modified by MWO ORD G503-WS)		
	G102-0400526	FM-GPW-5186	WO-A-6393	BOLT, eye, safety chain.....	2	
		FM-09B-14362	WO-A-6356	CABLE, trailer, coupling socket to body ground.....	1	.0425
		FM-11YS-18149-B	WO-A-6587	COVER, assembly (WEB-11935-B).....	1	.258
			WO-A-8088	COVER, terminal (WEB-110242) (Willys only).....	3	
	H001-4135681	FM-34079-S7	WO-53061	NUT, hex., S., cd-pltd., No. 10 (0.190)-32NF-2 (socket terminal) (WEB-110477) (GM-120614).....	8	
	D017-0309544	FM-11YS-18198-B	WO-A-6588	RETAINER, dust shield (WEB-20099).....	1	
	F226-0242470	FM-11YS-18193-B	WO-A-6589	SHIELD, dust (WEB-20098).....	1	
	H004-0355720	FM-11YS-18151-B	WO-A-6586	SOCKET, trailer electric coupling, assembly (WEB-3529) (less COVER).....	1	4.40
	D028-0204281	FM-11YS-18142-B	WO-A-6019	SOCKET, trailer electric coupling, w/COVER, assembly (to accommodate trailer) (WEB-3604) (includes: COVER, INTERNAL PARTS, ATTACHING PARTS).....	1	
			WO-53069	BOLT, hex-hd., S., cd-pltd., 1/4-28NF-2 x 1 (socket to body) (GM-120364) (Willys only).....	2	
	H001-5418341		WO-52921	BOLT, hex-hd., S., cd-pltd., 1/4-28NF-2 x 3/4 (socket to body) (GM-123450) (Willys only).....	2	
		FM-20364-S7		BOLT, hex-hd., S., cd-pltd., 1/4-28NF-2 x 1/8 (Ford only).....	4	
	H001-4167521	FM-33795-S7	WO-52847	NUT, hex., S., cd-pltd., 1/4-28NF-2 (GM-120367).....	4	
	H001-7025681	FM-34805-S8	WO-53313	WASHER, lock, reg., S., z-pltd., 1/4 in. (15/32 O.D. x 0.254 I.D. x 1/16 thk.).....	4	
	H001-7124701	FM-351274-S7	WO-53024	WASHER, lock, S., cd-pltd., 1/4 in. (internal, external tooth) (GM-174916).....	4	
	G074-1443015	FM-34753-S	WO-A-8087	WASHER, terminal screw (br., No. 10 (0.190)) (WEB-110110).....	4	
	H001-7021685	FM-34903-S2	WO-53194	WASHER, lock, S., parkerized, shakeproof, No. 10 (0.190) (GM-138534).....	4	
				0607—HEADLIGHT		
		FM-GPW-13020	WO-A-2873	BOLT, hold-down, headlight support, w/NUT and WASHER, assembly (S., 5/16-18NC-2).....	2	
06-8		FM-GPW-13022	WO-A-1361	BOLT, mounting, headlight (CB-CB-6012).....	2	
		FM-GPW-14436	WO-A-1731	CABLE, ground headlight.....	2	.023
		FM-32852-S7	WO-52993	SCREW, sheet metal, rd-hd., No. 10 (0.190) x 3/8 (cable to bracket).....	2	
06-8	G121-0155535	FM-GPW-13043	WO-A-1036	DOOR, headlight, assembly (CB-CB-8523).....	2	.326
06-8		FM-38095-S	WO-A-1037	SCREW, mach., oval-fil-hd., S., No. 8 (0.164)-32NC-2 x 3/4 (CB-CB-5099).....	2	
		FM-GPW-13032	WO-A-2878	HINGE, headlight support.....	2	.105
	H001-5419100	FM-20326-S2	WO-51485	BOLT, hex-hd., s-fin., 5/16-18NC-2 x 5/8 (GM-106324).....	4	
		FM-33797-S2	WO-52350	NUT, reg., hex., s-fin., S., 5/16-18NC-2.....	4	
	H001-1518008	FM-34806-S2	WO-51840	WASHER, lock, reg., S., 5/16 in.....	4	

115

SNL G-503

0606F-0607

GROUP 06—ELECTRICAL (Cont'd)

SNL G-503

0607-0607A

Figure Number	Official Stock Number	Piece Mark or Part Number		ITEM	Quant. Req'd. per Unit Assy.	Unit Price
		Ford No.	Willys No.			
Col. 1	Col. 2	Col. 3	Col. 4	Col. 5	Col. 6	Col. 7
0607—HEADLIGHT (Cont'd)						
06-8	G503-0211411	FM-GPW-13012 FM-GPW-13006	WO-A-5586	HOUSING, headlight, assembly (CB-CB-10436).....	2	
	G503-0211411	FM-GPW-13006-A	WO-A-1304	LIGHT, head, service, left, assembly (CB-215142) (superseded by LIGHT, assembly, FM-GPW-13006-A, WO-A-1304).....	1	
	G503-0211410	FM-GPW-13005		LIGHT, head, service, left, assembly (supersedes LIGHT, assembly, FM-GPW-13006).....	1	2.33
	G503-0211410	FM-GPW-13005-A	WO-A-1305	LIGHT, head, service, right, assembly (CB-215242) (superseded by LIGHT, assembly, FM-GPW-13005-A, WO-A-1305).....	1	
06-8	G085-2307356	FM-33846-S2	WO-A-5916	LIGHT, head, service, right, assembly (supersedes LIGHT, assembly, FM-GPW-13005).....	1	2.46
06-8	H001-1518011	FM-34809-S	WO-5009	NUT, reg., hex., S., 1/2-20NF-2.....	2	
		FM-33896-S2	WO-A-2466	WASHER, lock, reg., S., 1/2 in.....	2	
		FM-357419-S2	WO-A-2875	NUT, wing, S., 3/16-18NC-2 (headlight mounting bracket bolt).....	2	
	H001-0811025	FM-72003-S7	WO-5067	PIN, clevis, headlight support bolt (S., 0.248 diam. x 25/64 lgh.).....	2	
06-8		FM-GPW-13015	WO-A-1031	PIN, cotter, split, S., 1/16 x 1/2.....	2	
06-8		FM-37206-S	WO-A-1032	RETAINER, headlight mounting bolt (CB-CB-8010).....	2	.022
	H001-7025621	FM-34803-S7	WO-52221	SCREW, mach., rd-hd., S., No. 10 (0.190)-32NF-2 x 1/4 (CB-CB-4057).....	2	
		FM-GPW-13071	WO-A-2870	WASHER, lock, S., cd-pltd., No. 10 (0.190) (CB-CB-300).....	2	
		FM-GPW-13070	WO-A-2871	SUPPORT, headlight, left, assembly.....	1	.717
06-8	3320-GPW-13076	FM-GPW-13076	WO-A-1362	SUPPORT, headlight, right, assembly.....	1	.717
06-8	3320-GPW-13075	FM-GPW-13075	WO-A-1363	WIRE, left headlight, assembly.....	1	.195
				WIRE, right headlight, assembly.....	1	.326
0607A—LAMP-UNITS (Sealed Beam)						
06-9	M001-0107347	FM-GPW-13152	WO-A-6145	LAMP-UNIT, blackout driving headlight, sealed, 6-8V., assembly (CB-CB-11267).....	1	1.173
06-8	G503-0127853	FM-GPW-13007	WO-A-1033	LAMP-UNIT, headlight, sealed, 6V., assembly (CB-CB-8494).....	2	.961
	3320-GPA-13007	FM-GPA-13007		LAMP-UNIT, headlight, sealed, 12V., assembly (Note 1).....	2	
06-11	H004-0504417	FM-GP-13494-A	WO-A-1074	LAMP-UNIT, service tail and stop, sealed, 21-3 cp., assembly (CB-CB-9218) (ORD-504417).....	1	.391
	3320-GPA-13494	FM-GPA-13494		LAMP-UNIT, service tail and stop, sealed, 21-3 cp., 12V., assembly (Note 1).....	1	
	H004-0504423	FM-GP-13485-A	WO-A-1078	LAMP-UNIT, blackout stop, sealed, 3 cp., 6V., assembly (CB-CB-9234) (ORD-504423).....	1	.424
	3320-GPA-13485	FM-GPA-13485		LAMP-UNIT, blackout stop, sealed, 3 cp., 12V., assembly (Note 1).....	1	
06-11	H004-0504420	FM-GP-13491-A	WO-A-1075	LAMP-UNIT, blackout tail, sealed, 4 opening, 6V., assembly (CB-CB-9225) (ORD-504420).....	2	.456
	3320-GPA-13491	FM-GPA-13491		LAMP-UNIT, blackout tail, sealed, 4 opening, 12V., assembly (Note 1).....	2	

116

0607B—LAMPS

		FM-GPA-13466		LAMP, elec., incand., 12-16V., 3 cp., single tung. fil. (Commercial No. 67) (GM-142450) (Note 1).....	2
06-10	M001-0213230	FM-B-13466	WO-51804	LAMP, elec., incand., 6-8V., 3 cp., single tung. fil. (Commercial No. 63) (GM-142303) (superseded by LAMP, WO-53474).....	2
	H104-0193059		WO-53474	LAMP, elec., incand., 6-8V., 3 cp., single tung. fil. (Commercial No. 1265) (supersedes LAMP, FM-B-13466, WO-51804).....	2
		FM-48-15021	WO-52837	LAMP, elec., incand., 6-8V., 1 cp., single tung. fil. (Commercial No. 51) (GM-115273)	2
		FM-GPA-13462		LAMP, elec., incand., 12-16V., 1 cp., single tung. fil. (Commercial No. 53) (GM-131282) (Note 1).....	2

0607D—BLACKOUT LIGHTS

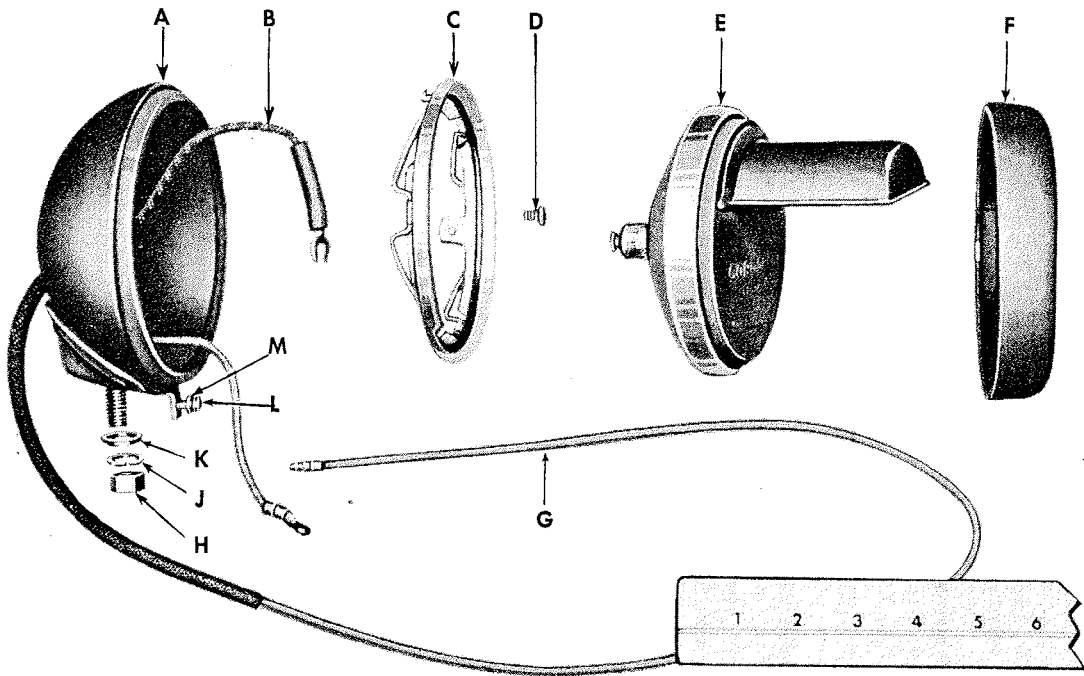
				NOTE: For blackout TAILLIGHT see group 0608	
	2300-11503	FM-GPW-13175	WO-A-6146	CABLE, blackout driving light, assembly (CB-CB-11503) (superseded by CABLE, FM-GPW-13175-C, WO-A-11770).....	1
06-9, 12	3320-GPW-13175-C	FM-GPW-13175-C	WO-A-11770	CABLE, blackout driving light, assembly (supersedes CABLE, WO-A-6146).....	1
06-10	3320-GP-13210-B	FM-GPW-13210-B	WO-A-1070	DOOR, marker light, assembly (CB-CB-9204).....	2 .391
06-10		FM-28378-S2	WO-A-1072	SCREW, mach., oval-fil-hd., S., No. 8 (0.164)-32NC-2 x 1/8.....	2
06-9		FM-GPW-13162	WO-A-6144	DOOR, blackout driving light, assembly (CB-CB-11193).....	1 .195
06-9		FM-31045-S2	WO-A-6148	SCREW, mach., oval-fil-hd., S., No. 8 (0.164)-32NC-2 x 3/8 (CB-CB-11263).....	1
06-9	H001-1519006	FM-34902-S	WO-52754	WASHER, lock, S., internal tooth, flat type, No. 8 (0.164).....	1
	G179-7010624	FM-GPW-13209	WO-A-15304	GASKET, blackout light door.....	1
06-10	3320-GP-13209-B	FM-GPW-13209-B	WO-A-1071	GASKET, marker light door (CB-CB-9281).....	2 .0272
06-9		FM-GPW-13170	WO-A-6143	HOUSING, blackout driving light, assembly (CB-CB-11500).....	1
06-10		FM-GPW-13217	WO-A-1439	HOUSING, marker light, w/WIRE, left, assembly (CB-CB-10461).....	1
		FM-GPW-13216	WO-A-1440	HOUSING, marker light, w/WIRE, right, assembly (CB-CB-10462).....	1
	2300-415342	FM-GPW-13201	WO-A-1436	LIGHT, marker, left, assembly (CB-415342).....	1 1.352
06-10		FM-33798-S7	WO-A-1532	NUT, reg., hex., S., cd-pltd., 5/16-24NF-2.....	2
06-10		FM-34941-S7	WO-53029	WASHER, lock, S., cd-pltd., external tooth, flat type, 5/16 in.....	2 .0019
	2300-415442	FM-GPW-13200	WO-A-1437	LIGHT, marker, right, assembly (CB-415442).....	1 1.385
	3320-GPW-13150	FM-GPW-13150	WO-A-6142	LIGHT, driving, blackout, assembly (CB-11495) (superseded by LIGHT, assembly, FM-GPW-13150-C, WO-A-11768).....	1 2.33
	3320-GPW-13150-C	FM-GPW-13150-C	WO-A-11768	LIGHT, driving, blackout, assembly (supersedes LIGHT, assembly, FM-GPW-13150)	1
06-9	H001-4171585	FM-33799-S2	WO-53033	NUT, reg., hex., S., 3/8-16NC-2 (GM-123228).....	1
06-9	H001-1518009	FM-34807-S2	WO-5010	WASHER, lock, reg., S., 3/8 in.....	1
			WO-A-1082	NIPPLE, rubber, marker lamp.....	2
			WO-A-5806	PAD, mounting, marker lamp (CB-CB-9276).....	2
06-9		FM-GPW-13166	WO-A-6783	RING, mounting, blackout driving light lamp-unit (CB-CB-11199).....	1 .118
06-9		FM-40631-S7	WO-53071	SCREW, blackout driving light ground (CB-CB-7783) (GM-125760).....	1
06-9		FM-GPW-13180	WO-A-6313	WASHER, adjusting, blackout driving light.....	1
06-9		FM-GPW-13174	WO-A-6147	WIRE, ground, blackout driving light, assembly (CB-CB-11200).....	1 .0158

Note 1—Only for vehicles modified by MWO ORD G503-W7. (see page 3).

0607B-0607D

117

SNL G-500

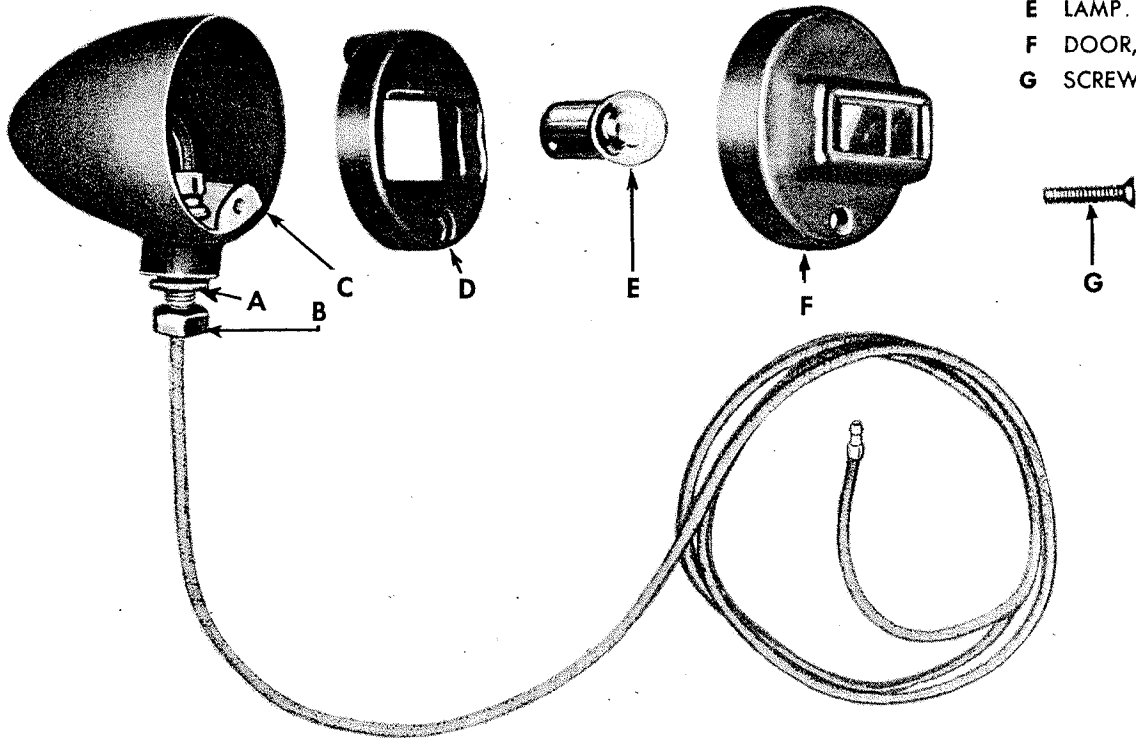


Key	Part Name	Ford Part No.	Willys Part No.	Group No.
A	HOUSING, assembly	FM-GPW-13170	WO-A-6143	0607D
B	WIRE	FM-GPW-13174	WO-A-6147	0607D
C	RING, assembly	FM-GPW-13166	WO-A-6783	0607D
D	SCREW	FM-40631-S7	WO-53071	0607D
E	LAMP-UNIT	FM-GPW-13152	WO-A-6145	0607A
F	DOOR, assembly	FM-GPW-13162	WO-A-6144	0607D
G	CABLE, assembly	FM-GPW-13175-C	WO-A-11770	0607D
H	NUT	FM-33799-S2	WO-53033	0607D
J	WASHER	FM-34807-S2	WO-5010	0607D
K	WASHER	FM-GPW-13180	WO-A-6313	0607D
L	SCREW	FM-31045-S2	WO-A-6148	0607D
M	WASHER	FM-34902-S	WO-52754	0607D

RA PD 342277

FIGURE 06-9—BLACKOUT DRIVING LIGHT ASSEMBLY

Key	Part Name	Ford Part No.	Willys Part No.	Group Number
A	WASHER	FM-34941-S7	WO-53029	0607D
B	NUT	FM-33798-S7	WO-A-1532	0607D
C	HOUSING, assembly	FM-GPW-13217	WO-A-1439	0607D
D	GASKET	FM-GP-13209-B	WO-A-1071	0607D
E	LAMP	FM-B-13466	WO-51804	0607B
F	DOOR, assembly	FM-GPW-13210-B	WO-A-1070	0607D
G	SCREW	FM-28378-S2	WO-A-1072	0607D

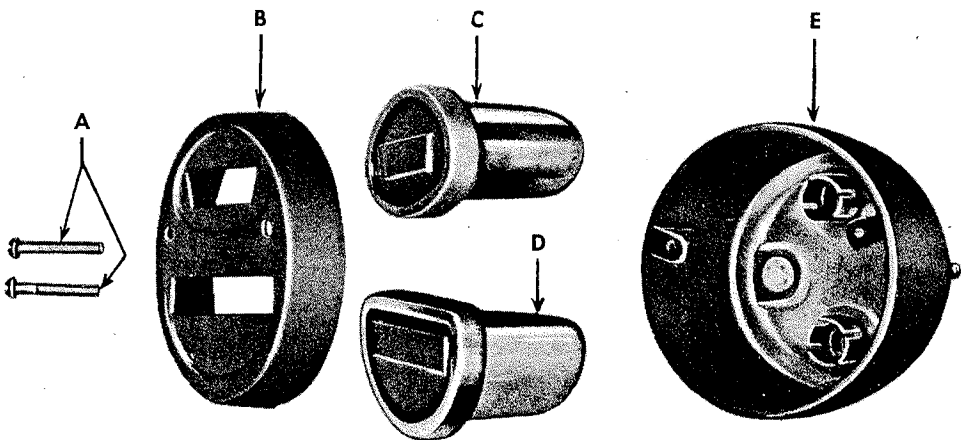


RA PD 342247

FIGURE 06-10—MARKER LIGHT ASSEMBLY

119

SNL G-503



Key	Part Name	Ford Part No.	Willys Part No.	Group No.
A	SCREW	FM-36931-S2	WO-A-1077	0608
B	DOOR	FM-GP-13448-B	WO-A-1076	0608
C	LAMP-UNIT	FM-GP-13494-A	WO-A-1074	0607A
D	LAMP-UNIT	FM-GP-13491-A	WO-A-1075	0607A
E	HOUSING	FM-GPW-13408-B	WO-A-1073	0608

RA PD 342230

FIGURE 06-11—TAIL AND STOP LIGHT ASSEMBLY

GROUP 06—ELECTRICAL (Cont'd)

Figure Number	Official Stock Number	Piece Mark or Part Number		ITEM	Quant. Req. per Unit Assy.	Unit Price
		Ford No.	Willys No.			
Col. 1	Col. 2	Col. 3	Col. 4	Col. 5	Col. 6	Col. 7
0608—TAILLIGHT						
NOTE: For LAMP-UNIT see group 0607A						
06-11	3320-GPW-13410	FM-GPW-13410	WO-A-719	CABLE, blackout taillight to connector	1	.179
	H004-0504432	FM-GP-13448-B	WO-A-1076	DOOR, blackout tail and service tail and stop light, assembly (CB-CB-9231)	1	.125
	H004-0504430	FM-GP-13449-A	WO-A-1079	DOOR, blackout tail and blackout stop light (CB-CB-9232)	1	.125
06-11	G104-3067005	FM-36931-S2	WO-A-1077	SCREW, taillight door (CB-CB-9233)	4	
06-11	G121-0217900	FM-GPW-13408-B	WO-A-1073	HOUSING, tail and stop light, assembly (CB-CB-9212)	2	
	H004-0504406	FM-GP-13405-B	WO-A-1064	LIGHT, blackout tail and service tail and stop, 6V., 1/8 stud lgh., assembly (CB-60142) (ORD-504406)	1	1.662
	H004-0504413	FM-GP-13404-B	WO-A-1065	LIGHT, blackout tail and blackout stop, 6V., 1/8 stud lgh., assembly (CB-60242) (ORD-504413)	1	1.71
	H001-4167501	FM-33795-S7	WO-5790	NUT, reg., hex., S., cd-pltd., 1/4-20NC-2	4	
	H001-1518007	FM-34805-S2	WO-52706	WASHER, lock, reg., S., 1/4 in.	4	

0609—HORNS

	H001-5419820	FM-GPW-13831	WO-A-1389
	H101-0114493	FM-24347-S2	WO-51396
	H001-7025711	FM-33909-S7	WO-52954
	H001-1531003	FM-34806-S7	WO-51833
		FM-34706-S7	WO-5437
		FM-GPW-13802	WO-A-1312
	H001-5418300	FM-20325-S7	WO-5920
	H001-1518007	FM-34805-S2	WO-52706
		FM-GPA-13802	
		FM-34052-S2	WO-52182
	H001-1518004	FM-34802-S2	WO-52705

14-2	G160-0126260	FM-GPW-13836	WO-A-302
	H001-5147511	FM-26457-S7	WO-52131
	H001-1519006	FM-34902-S	WO-52754
14-2, 18-1	7640-450054	FM-GPW-3627	WO-A-634

06-12		FM-GPW-14409	WO-A-5081
14-2	7640-7321-32	FM-GPW-14171	WO-A-752
14-2	7640-029046	FM-GPW-3646	WO-638885
	7640-051033	FM-GPW-3635	

14-2	7640-051035	FM-GPW-3635-B	WO-A-751
	3320-GPW-18382	FM-GPW-18382	WO-A-6742

		FM-GPW-3627	WO-A-634
		FM-GPW-3646	WO-638885
		FM-GPW-3635-B	WO-A-751
		FM-GPW-3626	WO-638884
		FM-GPW-3631	WO-A-750
14-2	7640-063991	FM-GPW-3652	WO-A-747
14-2	7640-401107	FM-GPW-3626	WO-638884
14-2	7640-029049	FM-GPW-3631	WO-A-750

	G502-0116038	FM-11AS-10658	WO-A-1767
	H015-0500903		
	51-A1562-400	FM-GPW-18276	WO-A-11760
	51-A1562-400		

BRACKET, horn, assembly	1
BOLT, hex-hd., s-fin., S., 5/16-24NF-2 x 3/4 (GM-100013)	2
NUT, reg., hex., s-fin., S., cd-pltd., 5/16-24NF-2 (GM-114493)	2
WASHER, lock, reg., S., cd-pltd., 5/16 in.	2
WASHER, plain, S., cd-pltd., 5/16 in. (GM-106262)	2
HORN, assembly (6 volt) (SPW-B-9427) (SZE-61400)	1
BOLT, hex-hd., S., cd-pltd., 1/4-28NF-2 x 5/8 (GM-106274)	2
WASHER, lock, reg., S., 1/4 in.	2
HORN, assembly (12 volt) (Note 1)	1
NUT, adjusting, horn (mach-screw., hex., S., No. 8 (0.164)-32NC-2)	2
WASHER, horn adjusting nut (lock, reg., S., No. 8 (0.164))	2

0609B—HORN BUTTON AND WIRING

BRUSH, horn wire contact (RG-032087) (GM-263549)	1	.103
SCREW, mach., rd-hd., S., cd-pltd., No. 8 (0.164)-32NC-2 x 1/4	2	
WASHER, lock, S., internal tooth, flat type, No. 8 (0.164)	2	

BUTTON, horn (RG-450054) (also in KIT, FM-GPW-18382, WO-A-6742) (see Group 1404 for horn button NUT)	1	
CABLE, horn to junction block (also in KIT, FM-GPW-18361-B, WO-A-7845)	1	
CABLE, horn, assembly (RG-8287-32)	1	.0805
CUP, horn button spring (RG-029046) (also in KIT, FM-GPW-18382, WO-A-6742)	1	
FERRULE, insulating, horn button (superseded by FERRULE, FM-GPW-3635-B, WO-A-751)	1	
FERRULE, insulating, horn button (RG-051035) (supersedes FERRULE, FM-GPW-3635) (also in KIT, FM-GPW-18382, WO-A-6742)	1	
KIT, repair, horn button	1	.195

- (Consists of:
- 1 BUTTON
 - 1 CUP, spring
 - 1 FERRULE, insulating
 - 1 SPRING
 - 1 WASHER, contact)

RING, horn wire contact, assembly (RG-063991)	1	.0606
SPRING, horn button (RG-401107) (also in KIT, FM-GPW-18382, WO-A-6742)	1	
WASHER, horn button contact (RG-029049) (also in KIT, FM-GPW-18382, WO-A-6742)	1	

0610—BATTERY

BATTERY, 6V., 15 plate, 116 amp. hr. (dry charged) (AL-TSR-2-15) (WB-SR-2-119)	1
BATTERY, moist uncharged, 6-8V., type 2H (ORD 500903)	1
ELECTROLYTE, battery, and CONTAINER (use with dry charged battery, FM-11AS-10658, WO-A-1767)	1
ELECTROLYTE, sp. gr. 1.345, for 6V., moist uncharged battery	1

Note 1—Only for vehicles modified by MWO ORD G503-W7 (see page 3).

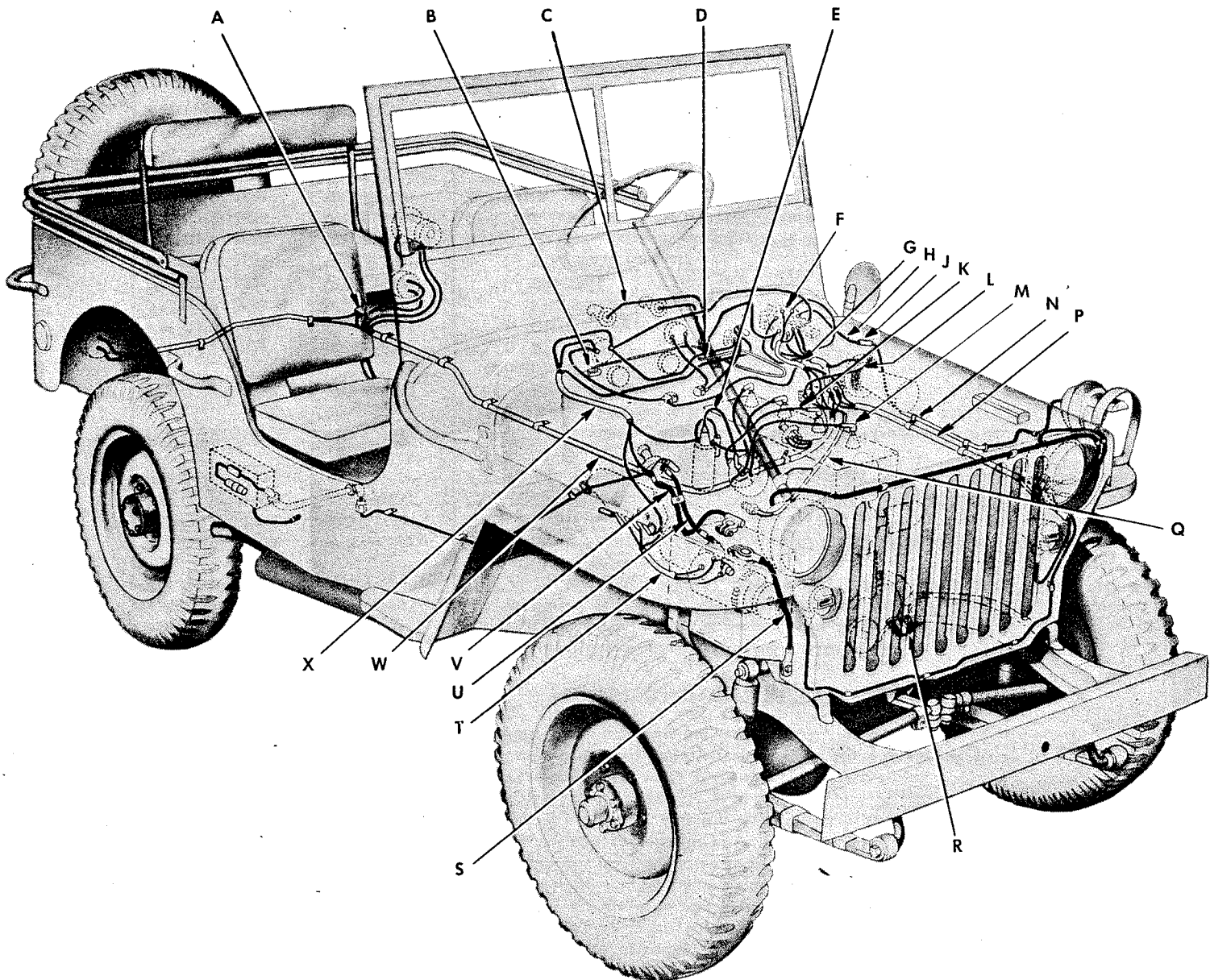


FIGURE 06-12—WIRING INSTALLATION

Key	Part Name	Ford Part No.	Willys Part No.	Group No.
A	CONNECTOR	FM-GPW-14487-A	WO-635895	0606B
B	GAGE	FM-GPW-9275-A	WO-A-1292	0300A
C	SOCKET, w/ CABLE, assembly	FM-GPW-13710	WO-A-1411	0605C
D	CABLE	FM-GPW-14458	WO-A-5072	0606B
E	CABLE	FM-GPW-12298-B	WO-A-1420	0604A
F	SWITCH, assembly	FM-G8T-11649	WO-A-11866	0606
G	HARNESS	FM-GPW-14402-B	WO-A-6154	0606B
H	CABLE	FM-GPW-13181	WO-A-6153	0606B
J	CONNECTOR	FM-GPW-14487-B	WO-635981	0606B
K	CABLE	FM-GPW-12284	WO-A-1414	0604A
L	CABLE	FM-GPW-14409	WO-A-5081	0609B

Key	Part Name	Ford Part No.	Willys Part No.	Group No.
M	CABLE	FM-GPW-12287	WO-A-1412	0604A
N	CABLE	FM-GPW-13175-C	WO-A-11770	0607D
P	HARNESS	FM-GPW-14425	WO-A-1665	0606B
Q	HARNESS	FM-GPW-14446	WO-A-5061	0606B
R	STRAP	FM-GPW-14303	WO-A-1098	2603
S	STRAP	FM-GPW-14301-B	WO-A-1320	0610B
T	HARNESS	FM-GPW-14305	WO-A-5074	0606B
U	CABLE	FM-GPW-14431	WO-A-1454	0610B
V	CABLE	FM-GPW-14300	WO-A-1452	0610B
W	HARNESS	FM-GPW-14401-D	WO-A-5048	0606B
X	HARNESS	FM-GPW-14432	WO-A-5981	0606B

RA PD 342251A

FIGURE 06-12A—LEGEND FOR 06-12—WIRING INSTALLATION

GROUP 06—ELECTRICAL (Cont'd)

Figure Number	Official Stock Number	Piece Mark or Part Number		ITEM	Quant. Req. per Unit Assy.	Unit Price
		Ford No.	Willys No.			
Col. 1	Col. 2	Col. 3	Col. 4	Col. 5	Col. 6	Col. 7
				0610A—BATTERY HANGERS		
		FM-GPW-10693		BRACKET, battery hold-down, center (<i>Note 1</i>)	1	
		FM-GPW-10692		BRACKET, battery hold-down, end (<i>Note 1</i>)	2	
	3320-GPW-5165	FM-GPW-5165	WO-A-1291	FRAME, hold-down, battery	1	.326
		FM-GPW-5175	WO-A-1164	BOLT, S., 5/16-18NC-2 x 9	2	.138
			WO-300329	NUT, wing, S., 5/16-18NC-2	2	
	H001-7025711	FM-34806-S7	WO-51833	WASHER, lock, reg., S., cd-pltd., 5/16 in. (GM-103320)	2	
		FM-356305-S	WO-52768	WASHER, plain, S., 2 1/64 in.	2	.0083
	3320-33897-S2	FM-33897-S2		NUT, battery hold-down (wing, 3/8-16NC-2) (<i>Note 1</i>)	6	

Note 1—Only for vehicles modified by MWO ORD G503-W7. (see page 3).

0610A

123

SNL G-503

GROUP 06—ELECTRICAL (Cont'd)

0610A-0610B-1

Figure Number	Official Stock Number	Piece Mark or Part Number		ITEM	Quant. Reqd. per Unit Assy.	Unit Price
		Ford No.	Willys No.			
Col. 1	Col. 2	Col. 3	Col. 4	Col. 5	Col. 6	Col. 7
				0610A—BATTERY HANGERS (Cont'd)		
	H001-1518008	FM-GPW-5168 FM-33896-S2 FM-34806-S2 FM-356305-S	WO-A-1757 WO-A-2466 WO-51833 WO-52768	STRAP, battery frame to front fender.....	1	
				NUT, wing, S., 5/16-18NC-2.....	1	
				WASHER, lock, reg., S., 5/16 in. (GM-103320).....	1	
				WASHER, plain, S., 21/64 in.....	1	.0083
				0610B—BATTERY CABLES AND CONNECTIONS		
			WO-335912	BOLT, terminal clamp, w/NUT, assembly (superseded by BOLT, assembly FM-350343-S16, WO-9093).....	2	
06-12	3320-GPW-14300	FM-350343-S16 FM-GPW-14300	WO-A-9093 WO-A-1452	BOLT, terminal clamp, w/NUT, assembly (supersedes BOLT, assembly, WO-335912).....	2	
06-12	3320-GPW-14431	FM-GPW-14431 FM-34056-S16	WO-A-1454 WO-A-9094	CABLE, battery to starting switch, positive.....	1	.472
			WO-A-1320	CABLE, starting switch to cranking motor.....	1	.212
			WO-635883	NUT, terminal clamp bolt (hex., S., cd-pltd., 5/16-18NC-2).....	2	
06-12	3320-GPW-14301-B	FM-GPW-14301-B	WO-50151	STRAP, battery ground.....	1	
	H001-5421240	FM-24369-S	WO-5901	STRAP, battery ground (14 1/2 in.).....	1	.261
	H001-4167600	FM-33800-S	WO-A-1680	BOLT, hex-hd., S., 3/8-24NF-2 x 7/8 (GM-106285).....	1	
	H001-1518009	FM-34807-S2 FM-34747-S7	WO-A-1680 WO-A-1680	NUT, reg., hex., S., 3/8-24NF-2 (GM-103026).....	1	
	3320-11A-14452	FM-11A-14452	WO-371400	WASHER, lock, reg., S., 3/8 in. (GM-103321).....	1	
	3320-19B-14451	FM-19B-14451	WO-372668	WASHER, plain, S., cd-pltd., 3/8 in.....	1	
				TERMINAL, battery cable.....	1	.0425
				TERMINAL, battery, positive cable clamp.....	1	
				0610B-1—BATTERY CABLES AND CONNECTIONS (12 Volt)		
				(Only for vehicles modified by MWO ORD G503-W2)		
	3320-GPWS-14301	FM-GPWS-14301		CABLE, battery ground.....	1	
	3320-GPW-14300-B	FM-GPW-14300-B		CABLE, battery to cranking motor switch.....	1	
	3320-GPWS-14447	FM-GPWS-14447 FM-33797-S16		CONNECTOR, battery, series.....	1	
	3320-GPW-14555	FM-GPW-14555		NUT, battery series connector.....	2	
	3320-GPA-14451-C	FM-GPA-14451-C		TERMINAL, battery to cranking motor switch.....	1	
	3320-GPA-14450-C	FM-GPA-14450-C		TERMINAL, negative, battery cable.....	1	
				TERMINAL, positive, battery cable.....	1	

SNL G-503

124